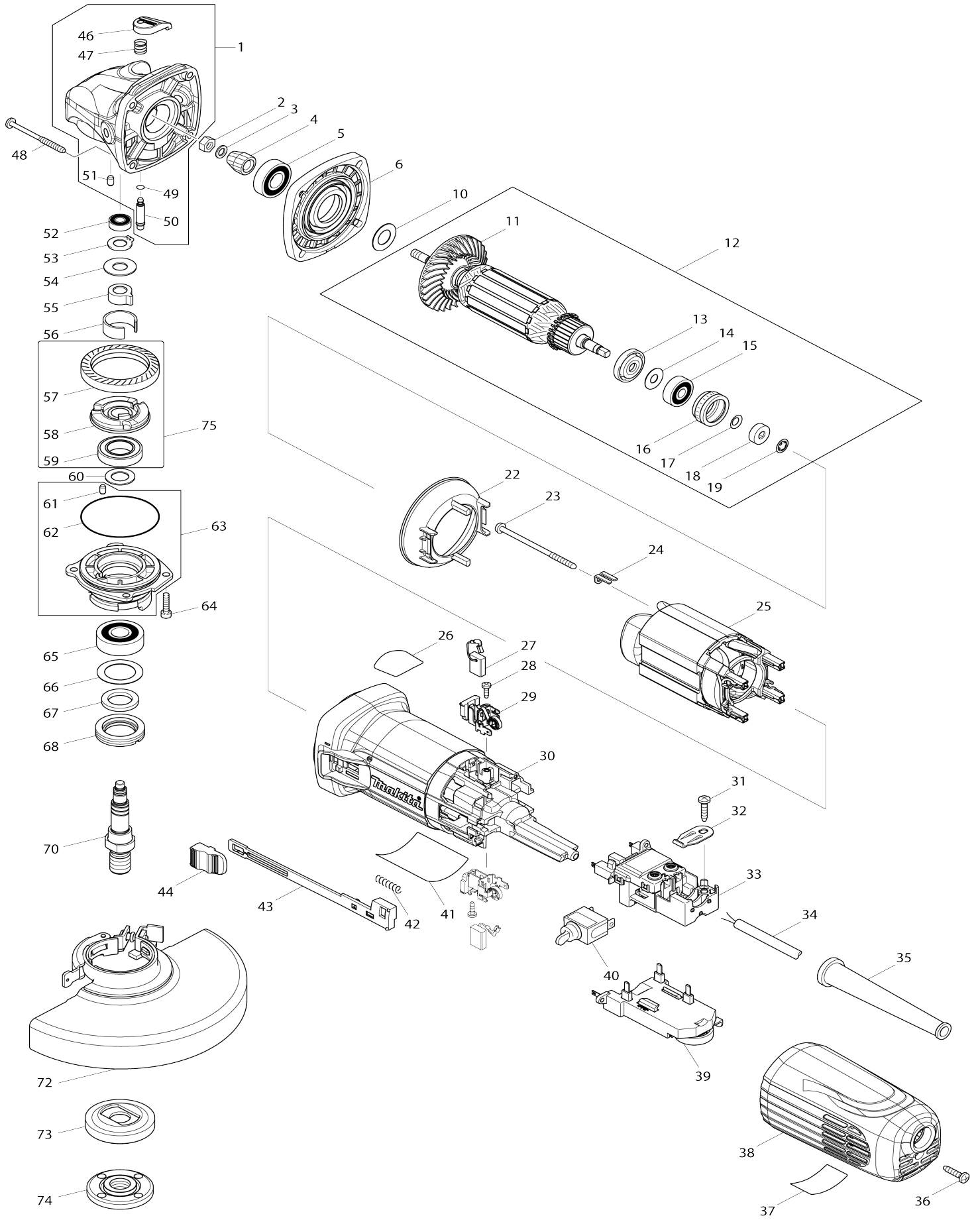


Model No.GA6040C 150MM ANGLE GRINDER



Model No.GA6040C 150MM ANGLE GRINDER

| Obj. č. | Obj. č. | Popis | Možnost zá měny | Množ ství | Nový/ Starý | Poznámka 1 | Poznámka 2 |
|---------|----------|---------------------------------------|-----------------------|--------------|----------------|--|------------|
| 001 | 168705-9 | GEAR HOUSING COMPLETE | | 1 | * | | |
| 001-1 | 319310-7 | GEAR HOUSING | < | 1 | * | | |
| 001-2 | 136013-6 | GEAR HOUSING ASS'Y | < | 1 | | obal p | |
| 001-2 | | INC. 46,47,49-51 | | | | | |
| 002 | 252186-8 | matka 9554-9558 | | 1 | | matka 9554-9558 | |
| 003 | 253077-6 | distanční podložka 6 | | 1 | | distan | |
| 004 | 227593-4 | SPIRAL BEVEL GEAR 9 | | 1 | | ozuben | |
| 005 | 211142-7 | kuličkové ložisko 6001LB | | 1 | | | |
| 006 | 318835-8 | GEAR HOUSING COVER | | 1 | * | | |
| 006-1 | 141981-0 | GEAR HOUSING COVER COMPLETE | < | 1 | | kryt obalu p | |
| 010 | 253084-9 | podložka 12 | | 1 | | podlo | |
| 011 | 240134-9 | FAN 60 | | 1 | | v | |
| 012 | 515373-3 | ARMATURE ASS'Y 220-240V | | 1 | * | | |
| 012 | | INC. 11,13-15 | | | * | | |
| 012-1 | 510377-0 | ARMATURE ASS'Y 220-240V | < | 1 | * | | |
| 012-1 | | INC. 11,13-19 | | | * | | |
| 012-2 | 510510-4 | ARMATURE ASS'Y 220-240V | < | 1 | | rotor GA4540C GA5040C=old515373-3 510378-8 | |
| 012-2 | | INC. 11,13-19 | | | | | |
| 013 | 681656-4 | izolační podložka 9562C | | 1 | | izola | |
| 014 | 253823-7 | podložka 7 | | 1 | | podlo | |
| 015 | 210027-4 | kuličkové ložisko 627DDW | | 1 | | kuli | |
| 016 | 421738-8 | distanční kroužek ložiska rotoru | | 1 | * | | |
| 016-1 | 422750-1 | LABYRINTH RUBBER RING 22 | < | 1 | | distan | |
| 017 | 267756-0 | vymezovací podložka | | 1 | | vymezovac | |
| 018 | 688117-5 | magnetický snímač=new688174-3 | | 1 | | magnetick | |
| 019 | 259039-2 | zajišťovací kroužek 6 | | 1 | | zaji | |
| 022 | 453367-9 | BUFFLE PLATE | | 1 | | kryt statoru | |
| 023 | 266258-3 | šroub 4x70 | | 2 | | | |
| 024 | 344871-8 | podložka šroubu statoru 9562C | | 2 | | podlo | |
| 025 | 626653-3 | FIELD 220-240V | | 1 | | stator GA5040C | |
| 026 | 898443-6 | SJS2 MARK LABEL | | 1 | * | | |
| 027 | 191978-9 | uhlíky CB-318 = old 191974-7 | | 1 | | uhl | |
| 028 | 266007-8 | Tapping Screw Bind PT3x1=old320266007 | | 2 | | Tapping Screw Bind PT3x1=old320266007 | |
| 029 | 643769-9 | BRUSH HOLDER | | 2 | * | | |
| 029-1 | 643770-4 | BRUSH HOLDER | < | 2 | | dr | |
| 030 | 453366-1 | MOTOR HOUSING | | 1 | | obal stroje | |
| 031 | 266326-2 | šroub 4x18=new265995-6 | | 1 | * | | |
| 031-1 | 265B67-9 | TAPPING SCREW 4X18 | O | 1 | | | |
| 032 | 687169-3 | držák kabelu | | 1 | | dr | |
| 033 | 638947-4 | SWITCH BLOCK | | 1 | * | | |
| 033-1 | 632K98-1 | SWITCH BLOCK | < | 1 | | konektorov | |
| 034 | 695034-2 | kabel 1.0-2-4.0 | | 1 | | kabel 1.0-2-4.0 | |
| 035 | 682559-5 | gumová průchodka 6822 | | 1 | | gumov | |
| 036 | 266326-2 | šroub 4x18=new265995-6 | | 1 | * | | |
| 036-1 | 265B67-9 | TAPPING SCREW 4X18 | O | 1 | | | |

| | | | | | | | |
|-------|----------|---|---|---|---|---|--|
| 037 | 898445-2 | INDICATION LABEL | | 1 | * | | |
| 037-1 | 817M63-5 | INDICATION LABEL | < | 1 | | | |
| 038 | 453365-3 | REAR COVER C | | 1 | | kryt | |
| 039 | 620129-2 | CONTROLLER | | 1 | * | | |
| 039-1 | 620736-1 | CONTROLLER | < | 1 | * | elektronika GA6040C =old620129-2=new62 OG44-2 | |
| 039-2 | 620G44-2 | CONTROLLER | < | 1 | | ovlada | |
| 040 | 651418-4 | SWITCH ST115A-40 | | 1 | * | | |
| 040-1 | 651418-4 | SWITCH ST115A-40 | O | 1 | | | |
| 041 | 897092-6 | GA6040C NAME PLATE | | 1 | * | | |
| 041-1 | 897092-6 | GA6040C NAME PLATE | < | 1 | | | |
| 042 | 233071-4 | vinutá pružina 4 | | 1 | | vinut | |
| 043 | 453847-5 | SWITCH LEVER | | 1 | | t | |
| 044 | 453368-7 | SWITCH KNOB | | 1 | | tla | |
| 046 | 453369-5 | PIN CAP | | 1 | | tla | |
| 047 | 234057-1 | pružina 8 GA5020/6020 | | 1 | | pru | |
| 048 | 266361-0 | šroubek 4x30 | | 4 | * | | |
| 048-1 | 265B70-0 | TAPPING SCREW 4X30 | O | 4 | | | |
| 049 | 213032-0 | o kroužek 4 9554NB-9558NB/BG A45 | | 1 | * | o krou | |
| 049-1 | 213960-9 | o-kroužek 9554-9558NB | O | 1 | | o-krou | |
| 050 | 256535-1 | SHOULDER PIN 6 | | 1 | | areta | |
| 051 | 263002-9 | vymezovací čep 4 | | 1 | | | |
| 052 | 210006-2 | BALL BEARING 696ZZ | | 1 | | | |
| 053 | 961005-4 | segrovka S-9 | | 1 | | | |
| 054 | 253180-3 | podložka 10 | | 1 | | podlo | |
| 055 | 310508-9 | JOINT SLEEVE | | 1 | * | | |
| 055-1 | 310577-0 | JOINT SLEEVE | < | 1 | * | | |
| 055-2 | 310683-1 | JOINT SLEEVE | < | 1 | | | |
| 056 | 346556-2 | C TYPE PLATE | | 1 | | podlo | |
| 057 | 227594-2 | SPIRAL BEVEL GEAR 41 | | 1 | | ozuben | |
| 058 | 313228-4 | COUPLING | | 1 | | spojka | |
| 059 | 210302-8 | BALL BEARING 6903ZZ | | 1 | | lo | |
| 060 | 253744-3 | podložka 12 | | 1 | | podlo | |
| 061 | 263002-9 | vymezovací čep 4 | | 1 | | | |
| 062 | 213641-5 | O RING 51 | | 1 | | o-krou | |
| 063 | 318837-4 | BEARING BOX | | 1 | * | pouzdro lo | |
| 063-1 | 136012-8 | BEARING BOX ASSEMBLY | < | 1 | | pouzdro lo | |
| 063-1 | | INC. 61.62 | | | | | |
| 064 | 265490-6 | šroub M4x16 | | 4 | | | |
| 065 | 211129-9 | kul.lož. 6201=old922088,211143- 5 211122-3 | | 1 | | kul.lo | |
| 066 | 267279-8 | podložka | | 1 | | podlo | |
| 067 | 443124-3 | filcová podložka | | 1 | | filcov | |
| 068 | 285854-8 | BEARING RETAINER 20-33 | | 1 | | pouzdro lo | |
| 070 | 326130-2 | SPINDLE | | 1 | | v | |
| 072 | 123146-6 | TOOLLESS WHEELCOVER 150AK ASSY | | 1 | * | kryt kotou | |
| C10 | 213009-5 | o kroužek 4 AN5010/KP0810/C=o ld213022-3 | | 1 | * | o krou | |
| C20 | 265180-1 | šroub M5x16 GA6021/GA4530=o ld265103-9 | | 1 | * | | |

| | | | | | | | |
|-------|----------|---|---|---|---|------------|--|
| 072-1 | 141P37-5 | TOOLLESS WHEEL COVER 150AK CMP | < | 1 | * | | |
| C10 | 213009-5 | o kroužek 4 AN5010/KP0810/C=o ld213022-3 | | 1 | * | o krou | |
| C20 | 265180-1 | šroub M5x16 GA6021/GA4530=o ld265103-9 | | 1 | * | | |
| C30 | 8050A1-8 | CAUTION LABEL | | 1 | * | | |
| 072-2 | 123146-6 | TOOLLESS WHEELCOVER 150AK ASSY | < | 1 | * | kryt kotou | |
| C10 | 213009-5 | o kroužek 4 AN5010/KP0810/C=o ld213022-3 | | 1 | * | o krou | |
| C20 | 265180-1 | šroub M5x16 GA6021/GA4530=o ld265103-9 | | 1 | * | | |
| 072-3 | 141P37-5 | TOOLLESS WHEEL COVER 150AK CMP | < | 1 | | | |
| C10 | 213009-5 | o kroužek 4 AN5010/KP0810/C=o ld213022-3 | | 1 | * | o krou | |
| C20 | 265180-1 | šroub M5x16 GA6021/GA4530=o ld265103-9 | | 1 | | | |
| C30 | 8050A1-8 | CAUTION LABEL | | 1 | | | |
| 073 | 224415-9 | vnitřní kroužek 42=old224298-7 | | 1 | | un | |
| 074 | 224554-5 | upevňovací matice 14-45 9524 | | 1 | | upev | |
| 075 | 135556-5 | COUPLING ASS'Y | | 1 | | p | |
| 075 | | INC. 57-59 | | | | | |
| 076 | 804Y42-4 | CLEAR LABEL | | 1 | * | | |
| A01 | 153489-2 | boční rukojeť=old152490-4=old1 53504-2 | | 1 | | bo | |
| A02 | 782407-9 | klíč k úhl. brusce 35 | | 1 | * | | |
| A02-1 | 197610-3 | LOCK NUT WRENCH 35 SET | O | 1 | | | |
| A03 | A-80846 | brusný kotouč 150x6x22 nerez | | 1 | | | |
| A04 | 191V56-7 | CUTTING W.C.A. 150 SET | | 1 | * | | |
| A05 | 191V56-7 | CUTTING W.C.A. 150 SET | | 1 | | | |
| F02 | 194514-0 | antivibrační rukojeť | | 1 | | | |
| F05-1 | 198719-4 | DUST COVER ATTACHMENT SET | < | 1 | | | |

Prosím uveďte objednávací číslo dílu v objednávce

Datum tisku 25. 10. 2024