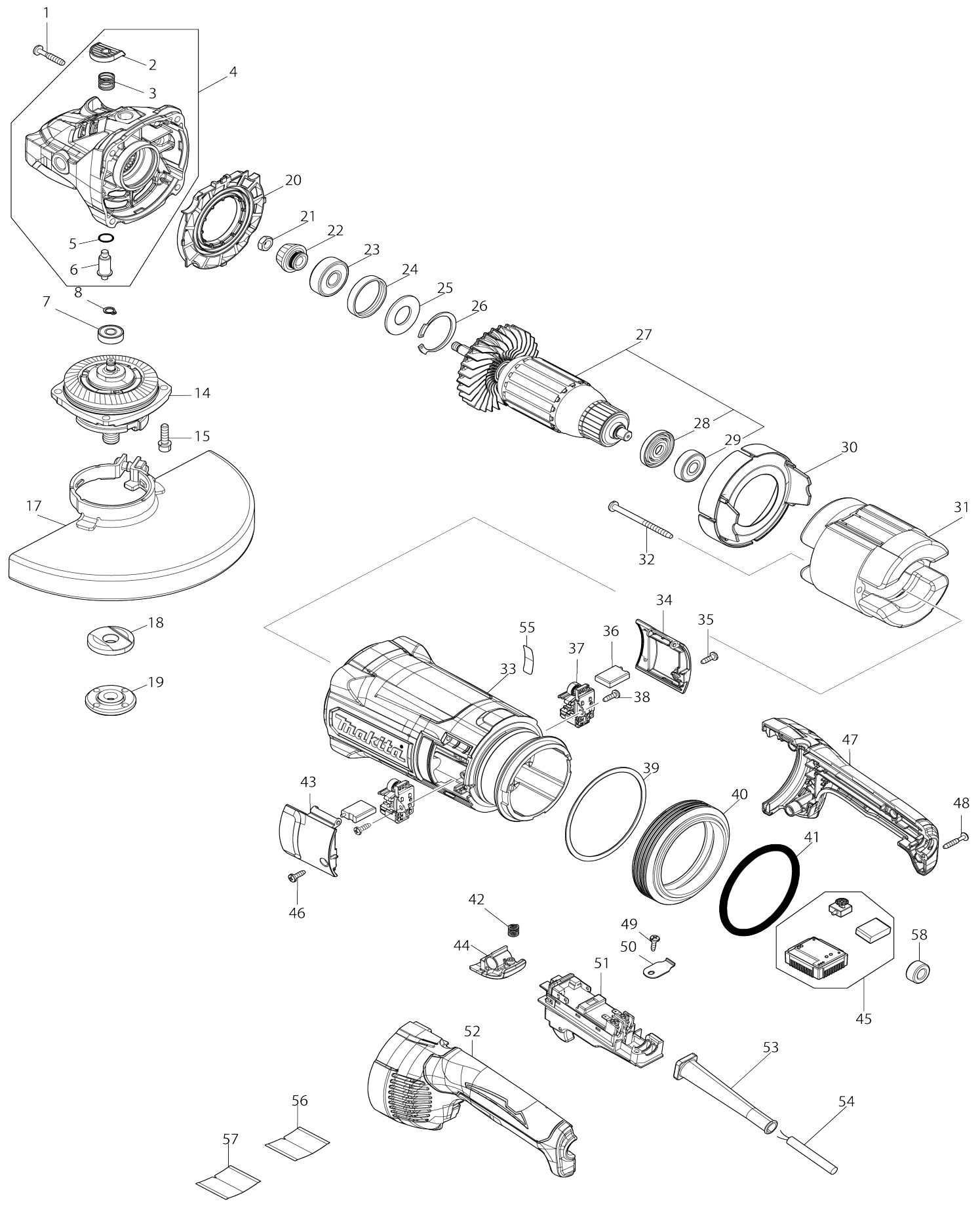


Model No.GA9080 230MM ANGLE GRINDER



| | | | | | | | |
|-------|----------|---|---|---|---|--------------------------|--|
| 024 | 262085-6 | gumový kroužek 38 9077SF/GA7 020-9 | | 1 | | gumov | |
| 025 | 267299-2 | podložka | | 1 | | podlo | |
| 026 | 962211-4 | Retaining Ring R-42 | | 1 | | | |
| 027 | 511A29-2 | ARMATURE ASS'Y 240V | | 1 | | rotor | |
| C10 | 240161-6 | FAN 86 | | 1 | | | |
| 027 | | INC. 28,29 | | | | | |
| 028 | 681630-2 | izolační podložka | | 1 | | izola | |
| 029 | 211087-9 | kuličkové ložisko6200DDW,=old2 11066-7 211067-5 | | 1 | | kuli | |
| 030 | 456239-7 | BAFFLE PLATE | | 1 | | deska | |
| 031 | 627086-5 | FIELD 240V | | 1 | | stator | |
| 032 | 266038-7 | 933570 | | 2 | | 933570 | |
| 033 | 413595-8 | MOTOR HOUSING | | 1 | | obal motoru | |
| 034 | 456246-0 | BRUSH HOLDER COVER R | | 1 | | kryt | |
| 035 | 266385-6 | TAPPING SCREW 4X14 | | 1 | * | | |
| 035-1 | 265B74-2 | TAPPING SCREW 4X14 | O | 1 | * | | |
| 035-1 | 266385-6 | TAPPING SCREW 4X14 | | 1 | | | |
| 035-2 | 266385-6 | TAPPING SCREW 4X14 | O | 1 | | | |
| 036 | 191T31-1 | CARBON BRUSH SET CB-224 | | 1 | | uhl | |
| 037 | 643715-2 | BRUSH HOLDER | | 2 | | dr | |
| 038 | 266385-6 | TAPPING SCREW 4X14 | | 2 | * | | |
| 038-1 | 265B74-2 | TAPPING SCREW 4X14 | O | 2 | * | | |
| 038-1 | 266385-6 | TAPPING SCREW 4X14 | | 2 | | | |
| 038-2 | 266385-6 | TAPPING SCREW 4X14 | O | 2 | | | |
| 039 | 261169-7 | NYLON WASHER 89 | | 1 | | podlo | |
| 040 | 422706-4 | VIBRATION PROOF RUBBER | | 1 | | antivibra | |
| 041 | 213924-3 | O RING 79 | | 1 | | O krou | |
| 042 | 233375-4 | pružina | | 1 | | pru | |
| 043 | 456245-2 | BRUSH HOLDER COVER L | | 1 | | kryt | |
| 044 | 413598-2 | LOCK BUTTON | | 1 | | tla | |
| 045 | 620E20-4 | CONTROLLER | | 1 | | elektronika=old6205 88-0 | |
| 046 | 266385-6 | TAPPING SCREW 4X14 | | 1 | * | | |
| 046-1 | 265B74-2 | TAPPING SCREW 4X14 | O | 1 | * | | |
| 046-1 | 266385-6 | TAPPING SCREW 4X14 | | 1 | | | |
| 046-2 | 266385-6 | TAPPING SCREW 4X14 | O | 1 | | | |
| 047 | 183T31-5 | HANDLE SET | | 1 | | rukoje | |
| 047 | | INC. 52 | | | | | |
| 048 | 265999-8 | TAPPING SCREW 4X25 | | 4 | * | | |
| 048-1 | 265B73-4 | TAPPING SCREW 4X25 | O | 4 | * | | |
| 048-1 | 265999-8 | TAPPING SCREW 4X25 | | 4 | | | |
| 048-2 | 265999-8 | TAPPING SCREW 4X25 | O | 4 | | | |
| 049 | 266385-6 | TAPPING SCREW 4X14 | | 1 | * | | |
| 049-1 | 265B74-2 | TAPPING SCREW 4X14 | O | 1 | * | | |
| 049-1 | 266385-6 | TAPPING SCREW 4X14 | | 1 | | | |
| 049-2 | 266385-6 | TAPPING SCREW 4X14 | O | 1 | | | |
| 050 | 687169-3 | držák kabelu | | 1 | | dr | |
| 051 | 632F79-5 | SWITCH UNIT | | 1 | | p | |
| 052 | 183T31-5 | HANDLE SET | | 1 | | rukoje | |
| 052 | | INC. 47 | | | | | |
| 053 | 682573-1 | průchodka GA7010/9010C | | 1 | | pr | |
| | | | | | | | |

| | | | | | | |
|-------|----------|--|---|---|---|-----------|
| 054 | 695107-1 | kabel=new665630-0 | | 1 | | |
| 055 | 811S02-3 | GA9080 SERIAL NO. LABEL | | 1 | | |
| 056 | 811R98-8 | GA9080 NAME PLATE | | 1 | | |
| 057 | 8038D3-7 | CLEAR LABEL | | 1 | * | |
| 058 | 688131-1 | filtr MT240/HM1801/1810/HR24= old688106-0 | | 1 | * | filtr |
| 058-1 | 688131-1 | filtr MT240/HM1801/1810/HR24= old688106-0 | O | 1 | | filtr |
| A01 | 162264-5 | antivibrační rukojeť M14=old162 240-9 | | 1 | | |
| A02 | 782034-2 | LOCK NUT WRENCH 35 | | 1 | | |
| A10 | 122913-6 | kryt 230K GA9020 | | 1 | | kryt uzav |
| C10 | 213017-6 | O RING 6 | | 1 | * | o krou |
| C20 | 265198-2 | šroub | | 1 | | |
| F07 | 191T14-1 | DUST COVER ATTACHMENT SET | | 1 | | |
| F09 | 192227-7 | super příruba | | 1 | | super p |
| F11 | 194305-9 | LOCK NUT RELEASE SOCKET 35 S ET | | 1 | | |
| F45 | 191X44-6 | 180MM DUST COLLECT COVER K SET | | 1 | | |

Prosím uveďte objednáč. číslo dílu v objednávce

Datum tisku 25. 10. 2024