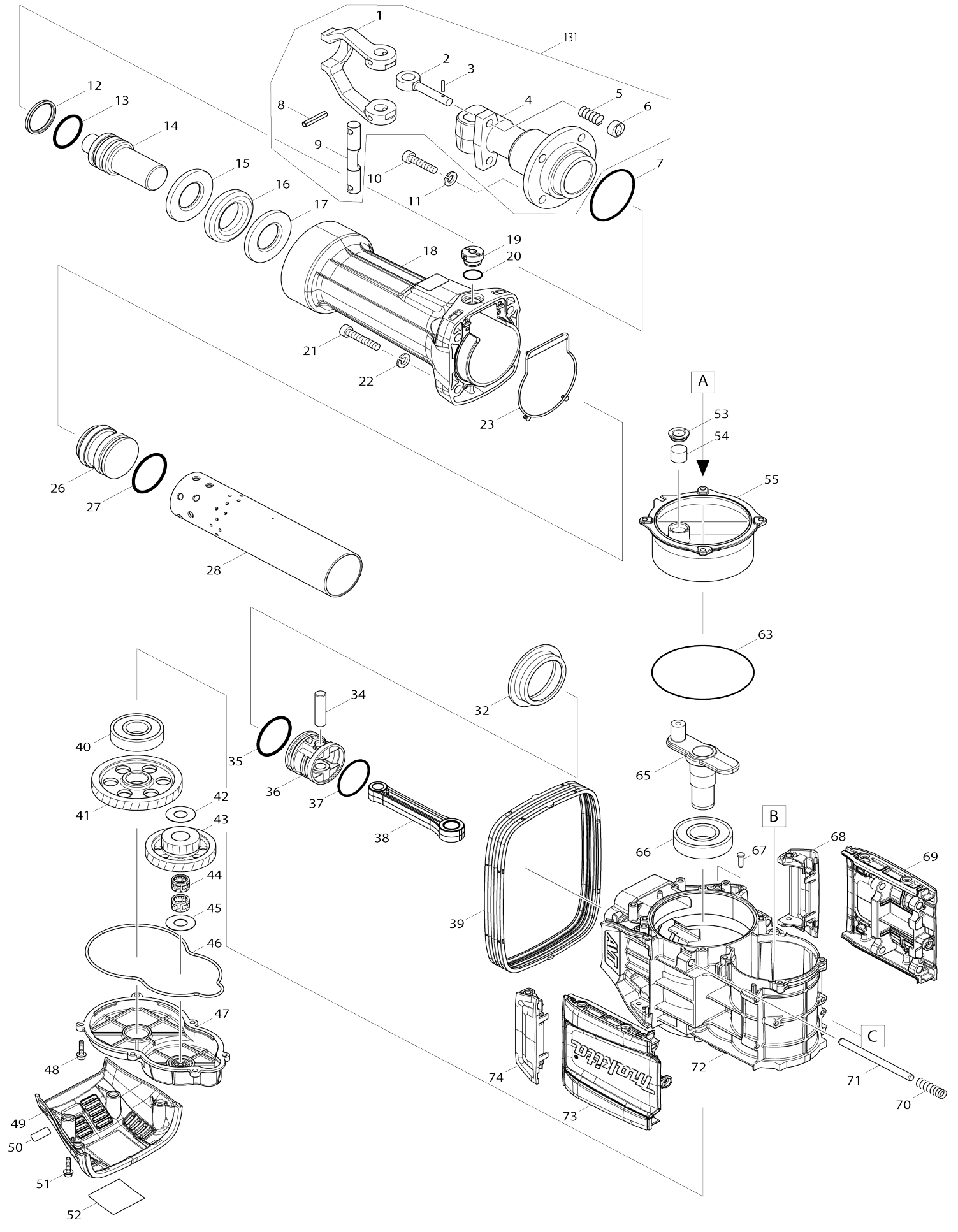
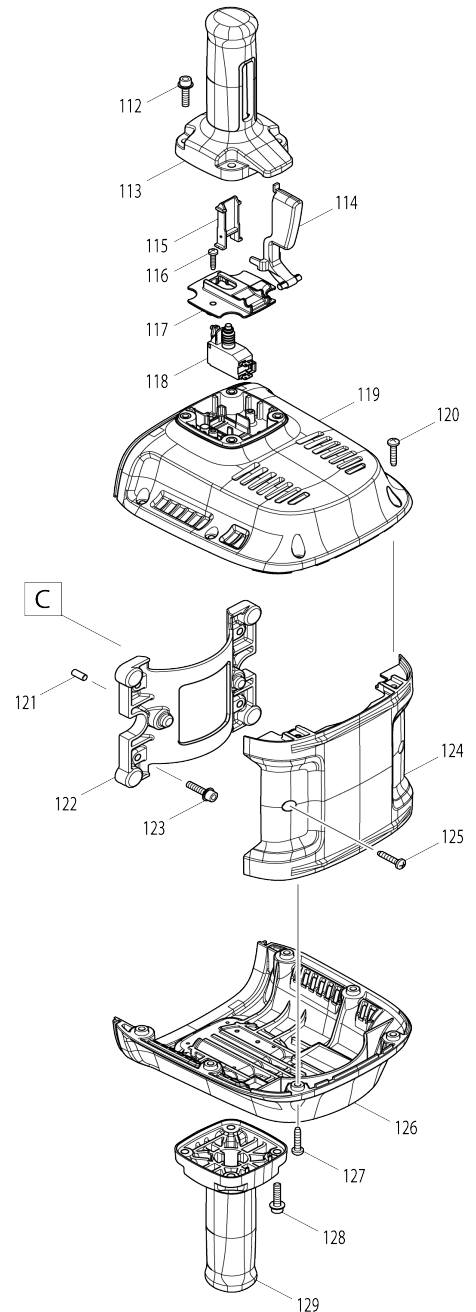
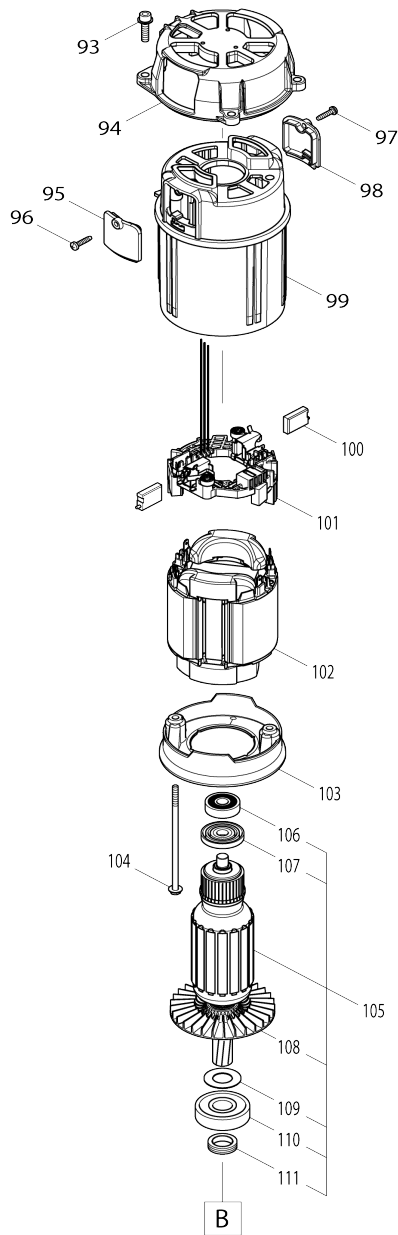
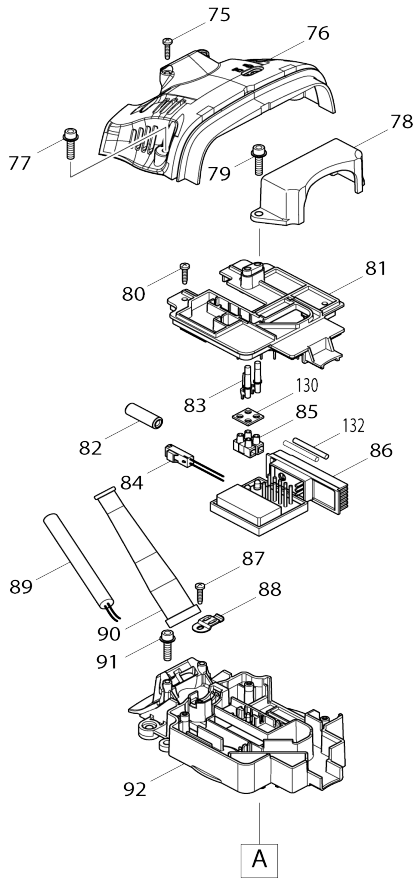


Model No.HM1802 ELECTRIC BREAKER



Model No.HM1802 ELECTRIC BREAKER



Model No.HM1802 ELECTRIC BREAKER

Obj. č.	Obj. č.	Popis	Možn ost zá měny	Množ ství	Nový/ Stary	Poznámka 1	Poznámka 2
001	324236-0	aret. nástroje = old 322478-0		1		aret. n	
002	322477-2	čep		2			
003	256219-1	čep 4		2			
004	310616-6	TOOL HOLDER 29		1		dr	
005	233083-7	vinutá pružina		2		vinut	
006	322560-5	zajišťovací kroužek		2		zaji	
007	213757-6	O RING 80		1		o krou	
008	951272-9	zajišťovací kolík 8x40		2		zaji	
009	324238-6	aretace HM1800 = old 322550-8		1		aretace HM1800 = ol d 322550-8	
010	265989-1	šroub		4			
011	942301-9	podložka 12 HM1400		4		podlo	
012	213797-4	X-RING 47		1		X-krou	
013	213798-2	O-RING 47		1		O-krou	
014	326469-3	IMPACT BOLT		1		kladivo HM1802/181 2	
015	332127-1	WASHER 42		1		podlo	
016	262174-7	RUBBER RING 47		1		gumov	
017	332127-1	WASHER 42		1		podlo	
018	319218-5	BARREL		1		v	
019	450347-6	víčko skříně HM1801/10=old324 606-3		1		v	
020	213953-6	o-kroužek 24		1		o-krou	
021	922677-0	imbus M12x55		4		imbus M12x55	
022	942301-9	podložka 12 HM1400		4		podlo	
023	424666-6	SEAL RING A		1		t	
026	326470-8	STRIKER		1		zar	
027	213799-0	O-RING 56		1		O-krou	
028	332130-2	CYLINDER LINER 66		1		v	
032	332131-0	SPACER		1		podlo	
034	268328-4	PIN 15 C		1		n	
035	213799-0	O-RING 56		1		O-krou	
036	455509-1	PISTON		1		p	
037	213662-7	O kroužek 55 HM1801		1		O krou	
038	455490-6	CONNECTING ROD		1		ty	
039	424669-0	BELLOWS		1		tuba HM1802 HM181 2	
040	211151-6	BALL BEARING 6306LLB		1		lo	
041	227797-8	HELICAL GEAR 57		1		spir	
042	267290-0	podložka 18 JR3050T		1		podlo	
043	226834-5	GEAR COMPLETE 23-59		1		p	
044	212099-5	NEEDLE CAGE 1816		2		klec lo	
045	267290-0	podložka 18 JR3050T		1		podlo	
046	424667-4	SEAL RING B		1		t	
047	455491-4	GEAR COVER		1		kryt	
048	266923-4	H.S.HEAD BOLT M6X25 WITH GM		6		n	
049	455500-9	SIDE COVER B		1		obal dr	
050	850X58-1	HM1802 SERIAL NO. LABEL		1			
051	266923-4	H.S.HEAD BOLT M6X25 WITH GM		4		n	

052	850U11-9	HM1802 NAME PLATE		1		
053	424668-2	FILTER CAP		1		v
054	443127-7	filtr HM1101C		1		filtr HM1101C
055	455513-0	CRANK CAP		1		v
063	213902-3	O RING 135		1		O-krou
065	310618-2	CRANK SHAFT		1		h
066	211500-7	BALL BEARING 6307LLU		1		lo
067	256559-7	FLAT FILLISTER HD PIN 6		4		v
068	455506-7	HANDLE C		1		dr
069	455503-3	CENTER COVER		1		kryt HM1802 HM181 2
070	234350-3	COMPRESSION SPRING 12B		4		
071	326471-6	ROD 10		4		ty
072	142923-7	CRANK HOUSING COMPLETE		1		obal HM1802
073	455503-3	CENTER COVER		1		kryt HM1802 HM181 2
074	455506-7	HANDLE C		1		dr
075	265995-6	šroub 4x18 = old 265941-9		2		
076	455499-8	SIDE COVER A		1		kryt A
077	266923-4	H.S.HEAD BOLT M6X25 WITH GM		4		n
078	455510-6	BRACKET		1		podp
079	266923-4	H.S.HEAD BOLT M6X25 WITH GM		2		n
080	265995-6	šroub 4x18 = old 265941-9		3		
081	455495-6	CAP COVER		1		kryt
082	688165-4	LINE FILTER		2		st
083	455514-8	LENS		1		vlo
084	632E02-4	LEAD UNIT		1		veden
085	654531-7	Terminal Block 2P		1		Terminal Block 2P
086	620363-4	CONTROLLER		1		elektronika
087	265995-6	šroub 4x18 = old 265941-9		1		
088	687169-3	držák kabelu		1		dr
089	695123-3	POWER SUPPLY CORD 1.5-2-4.0		1		
090	682560-0	ochranná průchodka 10 = old 68 2556-1		1		ochrann
091	266923-4	H.S.HEAD BOLT M6X25 WITH GM		2		n
092	455494-8	CRANK HOUSING CAP		1		v
093	266923-4	H.S.HEAD BOLT M6X25 WITH GM		4		n
094	319220-8	BEARING BOX		1		pouzdro lo
095	455498-0	BRUSH HOLDER COVER		1		dr
096	265995-6	šroub 4x18 = old 265941-9		1		
097	265995-6	šroub 4x18 = old 265941-9		1		
098	455498-0	BRUSH HOLDER COVER		1		dr
099	455496-4	MOTOR HOUSING		1		obal motoru HM1802 HM1812
100	197129-2	CARBON BRUSH CB-218		1		uhl
101	632E01-6	BRUSH HOLDER UNIT		1	*	
101-1	632L58-9	BRUSH HOLDER UNIT	<	1		dr
102	636409-6	FIELD 240V		1		stator HM1812
103	455497-2	BAFFLE PLATE		1		deska
104	266922-6	+ HEX. BOLT M5X120 WITH GM		2		n
105	517914-1	ARMATURE ASS'Y 240V		1		rotor HM1802
105		INC. 106-111				
106	211087-9	kuličkové ložisko6200DDW,=old2		1		kuli

		11066-7 211067-5				
107	681630-2	izolační podložka		1		izola
108	240156-9	FAN 90		1		
109	267487-1	FLAT WASHER 17		1		
110	211152-4	BALL BEARING 6303LLU		1		
111	332129-7	SEALING SCREW		1		
112	266923-4	H.S.HEAD BOLT M6X25 WITH GM		4		n
113	455504-1	HANDLE A		1		dr
114	455508-3	SWITCH LEVER		1		p
115	455511-4	SWITCH GUIDE		1		veden
116	265995-6	šroub 4x18 = old 265941-9		1		
117	455507-5	SWITCH COVER		1		kryt vyp
118	650738-3	SWITCH C3JW-C-P		1		vyp
119	455502-5	HANDLE BASE A		1		dr
120	266041-8	šroub křížový 5103R = old 93352 6		6		
121	256269-6	PIN 6		2		kol
122	319222-4	BASE		1		z
123	266923-4	H.S.HEAD BOLT M6X25 WITH GM		4		n
124	455501-7	HEAD COVER		1		kryt HM1802 HM181 2
125	266041-8	šroub křížový 5103R = old 93352 6		2		
126	455512-2	HANDLE BASE B		1		z
127	266041-8	šroub křížový 5103R = old 93352 6		6		
128	266923-4	H.S.HEAD BOLT M6X25 WITH GM		4		n
129	455505-9	HANDLE B		1		dr
130	685756-2	RUBBER SHEET		1		gumov
131	135669-2	TOOL HOLDER ASS'Y		1		dr
131		INC. 1-6,8,9				
132-1	684670-9	VARNISHED POLYESTER TUBE		2		ochrana kabelu HM1 812=old684970-7
A01	783203-8	klíč imbus 5		1		
A02	B-10372	samoostřící sekáč 400mm 28mm		1		
A03	443122-7	CLOTH		1		
B01	197127-6	HAMMER SERVICE KIT		1		
C10	181490-7	mazivo 30g		5	*	
C11	1914C5-7	GREASE SET	O	5		
B01		INC. 12,13,27,35,100				
E01	801S45-3	SOUND 108DB LABEL		1		
F01	197148-8	DUST EXTRACTOR ATTACHMENT SET		1		
F02	197168-2	DUST EXTRACTOR ATTACHMENT SET		1		

Prosím uveďte objednáč. číslo dílu v objednávce

Datum tisku 25. 10. 2024