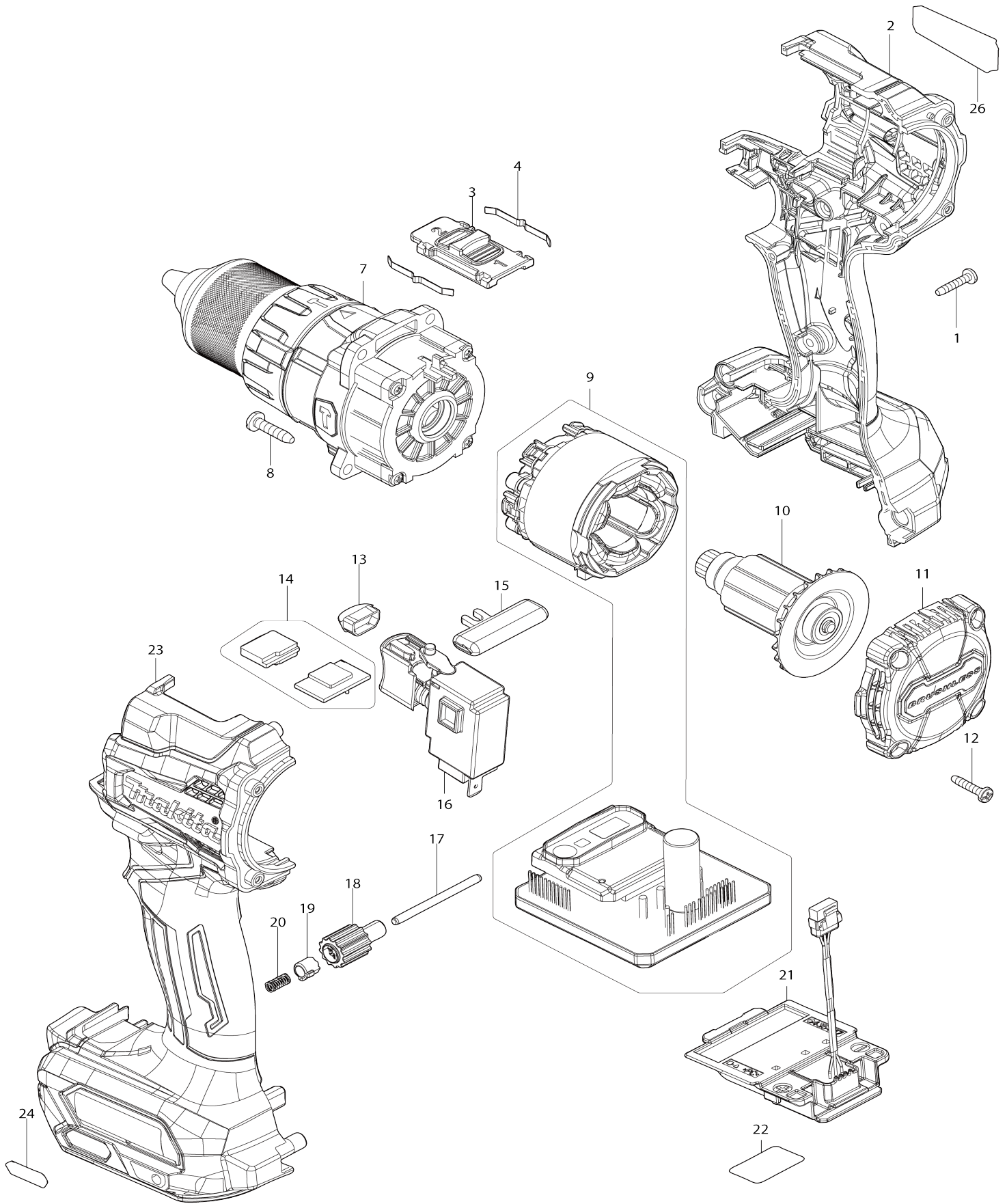


Model No. HP001G CORDLESS HAMMER DRIVER DRILL



Model No.HP001G CORDLESS HAMMER DRIVER DRILL

Obj. č.	Obj. č.	Popis	Možnost záměny	Množství	Nový/Stary	Poznámka 1	Poznámka 2
001	266130-9	šroub PT 3X		7			
002	183N73-3	HOUSING SET		1	*	obal	
C10	263005-3	vymezovací čep 6		2	*		
C20	252126-6	HEX. LOCK NUT M4-7		2	*	matka	
C30	422569-8	SPONGE SHEET		2	*		
002		INC. 23			*		
002-1	183S37-7	HOUSING SET	O	1			
C10	263005-3	vymezovací čep 6		2			
C20	252126-6	HEX. LOCK NUT M4-7		2		matka	
C30	422569-8	SPONGE SHEET		2			
002-1		INC. 23					
003	127494-5	SPEED CHANGE LEVER ASSEMBLY		1		p	
C10	233438-6	COMPRESSION SPRING 4		2		pru	
004	232220-0	listové péro přepínače 6319D/8414D		2		listov	
007	136229-3	KEYLESS DRILL CHUCK ASS'Y		1	*		
007-1	136359-0	KEYLESS DRILL CHUCK ASS'Y	<	1	*		
C10	763252-1	KEYLESS DRILL CHUCK 13		1	*		
C20	127727-8	GEAR ASSEMBLY		1	*		
C30	251468-5	šroub MT065		1	*		
007-2	136405-9	KEYLESS DRILL CHUCK ASS'Y	<	1			
C10	763252-1	KEYLESS DRILL CHUCK 13		1			
C20	122A40-5	GEAR ASSEMBLY		1		p	
C30	251468-5	šroub MT065		1			
008	266326-2	šroub 4x18=new265995-6		4			
009	629476-8	STATOR COMPLETE		1		stator DF001G HP001G	
C10	8009H0-8	SWITCH LABEL		1			
010	619613-2	ROTOR		1	*	rotor	
010-1	619613-2	ROTOR	O	1		rotor	
011	412361-0	REAR COVER		1		kryt	
012	266130-9	šroub PT 3X		4			
013	620549-0	LED CIRCUIT		1		led okruh	
014	620C81-2	SENSOR CIRCUIT		1		elektronika	
015	419041-9	přepínač chodu L/P BDF440		1		p	
016	651443-5	SWITCH C3JR-4B		1		vp	
017	256949-4	ROD 3		1		ty	
018	140R76-4	DIAL COMPLETE		1		ukazatel	
019	313288-6	DIAL CAM		1		zuzkazatel	
020	232597-3	COMPRESSION SPRING 3		1		pru	
021	632P49-4	TERMINAL UNIT		1		termin	
022	856S98-7	HP001G SERIAL NO. LABEL		1			
023	183N73-3	HOUSING SET		1	*	obal	
C10	263005-3	vymezovací čep 6		2	*		
C20	252126-6	HEX. LOCK NUT M4-7		2	*	matka	
C30	422569-8	SPONGE SHEET		2	*		
023		INC. 2			*		
023-1	183S37-7	HOUSING SET	O	1			

C10	263005-3	vymezovací čep 6		2		
C20	252126-6	HEX. LOCK NUT M4-7		2		matka
C30	422569-8	SPONGE SHEET		2		
023-1		INC. 2				
024	8007R2-2	XGT LOGO LABEL		1		
026	856S91-1	HP001G NAME PLATE		1		
A01	127551-9	GRIP ASSEMBLY		1	*	
C10	140S65-5	ARM R COMPLETE		1	*	
C20	140S66-3	POLE COMPLETE		1	*	
C30	266886-4	HEX. BOLT M8X65		1	*	
C40	319966-6	ARM L		1	*	
C50	962055-2	RETAINING RING (INT) R-15		1	*	
C60	265785-7	šroub		1	*	
C70	931202-6	HEX. NUT M5		1	*	
A01-1	122D08-9	GRIP ASSEMBLY	O	1		
C10	140S65-5	ARM R COMPLETE		1		
C20	140S66-3	POLE COMPLETE		1		
C30	266886-4	HEX. BOLT M8X65		1		
C40	319966-6	ARM L		1		
C50	962055-2	RETAINING RING (INT) R-15		1		
C60	265C34-0	THUMB SCREW M5X10		1		
C70	931202-6	HEX. NUT M5		1		
A02	251314-2	028078		2		
A03	346317-0	háček BDF/BHP446_456		1		h
A04	784637-8	(+ -) Bit 2-45		2		bit 1/4Inch PH2 + plo ch
A05	452947-8	držák bitů=old419276-2		1		dr
A06	122576-8	hloubkový doraz		1		hloubkov
A07	412393-7	BATTERY COVER		1		
A08	***DC40RA	DC40RA FAST CHARGER		1		
A08		COMPO-PARTS				
A09	191B26-6	BATTERY BL4040 SET		2		
A10	821551-8	systainer Makpac 395x295x210 mm		1		
C10	453974-8	LATCH		4		spona Makpacu
A11	835F93-2	INNER TRAY		1		
A12	8010K0-8	HP001GZ01 INDICATION LABEL		1		
A12	8010L2-1	HP001GM201 INDICATION LABEL		1		
A13	8010K1-6	HP001GZ01 PLASTIC CASE LABEL		2		
A13	8010L3-9	HP001GM201 PLASTIC CASE LABEL		2		

Prosím uveďte objednací číslo dílu v objednávce

Datum tisku 25. 10. 2024