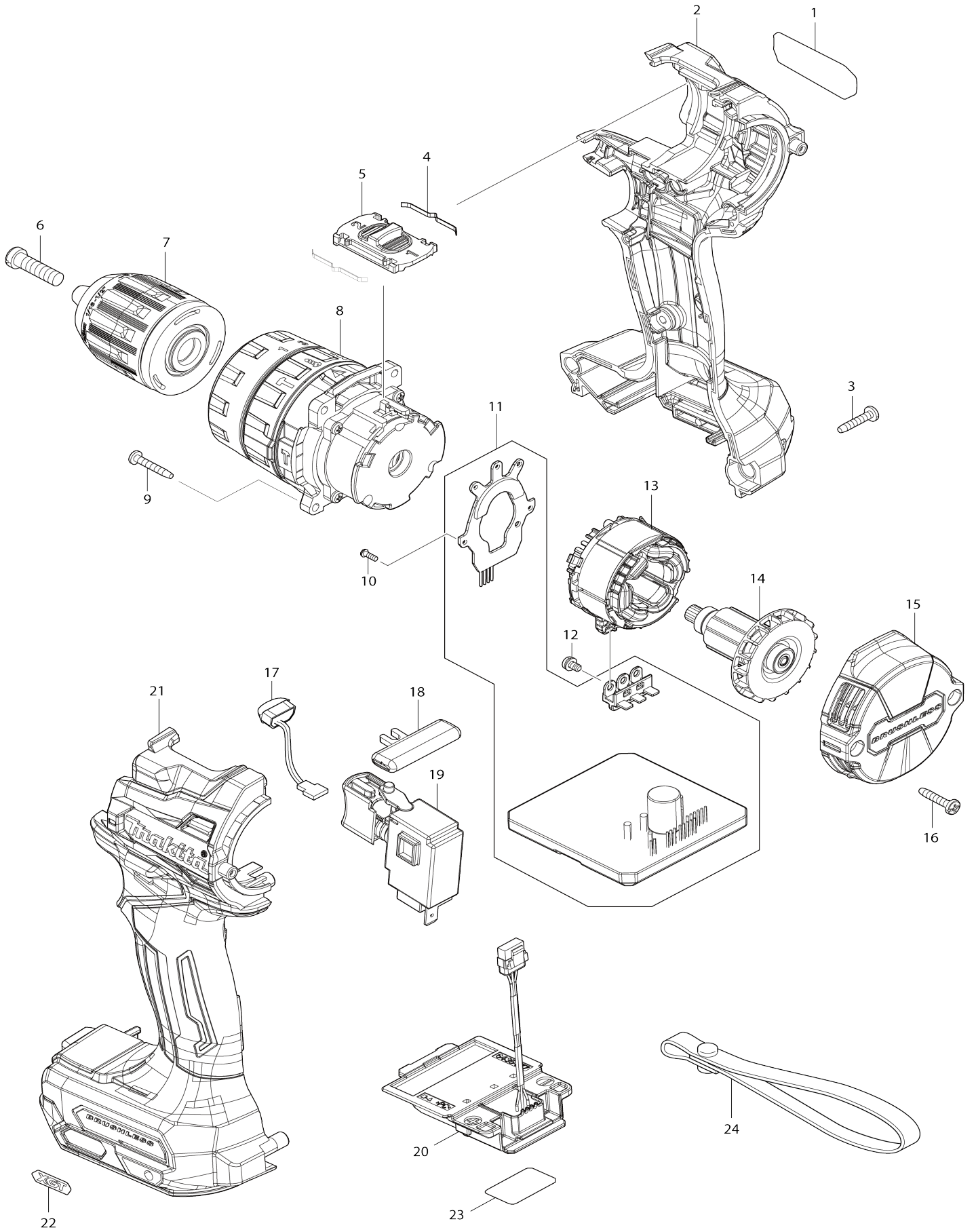


Model No.HP002G CORDLESS HAMMER DRIVER DRILL



Model No.HP002G CORDLESS HAMMER DRIVER DRILL

Obj. č.	Obj. č.	Popis	Možnost záměny	Množství	Nový/ Starý	Poznámka 1	Poznámka 2
001	858C81-4	HP002G NAME PLATE		1			
002	183S03-4	HOUSING SET		1		obal	
C10	263005-3	vymezovací čep 6		2			
C20	252126-6	HEX. LOCK NUT M4-7		2		matka	
002		INC. 21					
003	266429-2	TAPPING SCREW 3X16		7			
004	232493-5	LEAF SPRING		2		pru	
005	127731-7	SPEED CHANGE LEVER ASSEMBLY		1		p	
C10	233438-6	COMPRESSION SPRING 4		2		pru	
006	251468-5	šroub MT065		1			
007	763256-3	KEYLESS DRILL CHUCK 13		1	*		
007-1	763262-8	KEYLESS DRILL CHUCK 13	<	1			
008	127729-4	GEAR ASSEMBLY		1		p	
009	251497-8	TAPPING SCREW 3X20		4	*		
009-1	265D32-0	TAPPING SCREW 3X20	O	4			
010	266490-9	TAPPING SCREW PT 2X6		3	*		
010-1	265C47-1	TAPPING SCREW PT 2X6	O	3			
011	620E42-4	CONTROLLER		1		ovl	
012	652069-6	FLAT HEAD SCREW M3X6		3			
013	629A35-4	STATOR		1		stator	
014	619659-8	ROTOR		1		rotor	
015	413251-0	REAR COVER		1		kryt	
016	266429-2	TAPPING SCREW 3X16		2			
017	620549-0	LED CIRCUIT		1		led okruh	
018	419041-9	přepínač chodu L/P BDF440		1		p	
019	651443-5	SWITCH C3JR-4B		1		vp	
020	632R99-1	TERMINAL UNIT		1		terminal	
021	183S03-4	HOUSING SET		1		obal	
C10	263005-3	vymezovací čep 6		2			
C20	252126-6	HEX. LOCK NUT M4-7		2		matka	
021		INC. 2					
022	8007R2-2	XGT LOGO LABEL		1			
023	858C88-0	HP002G SERIAL NO. LABEL		1			
A01	251314-2	028078		1			
A02	346317-0	háček BDF/BHP446_456		1		h	
A03	784637-8	(+ -) Bit 2-45		1		bit 1/4Inch PH2 + ploch	
A04	***DC40RA	DC40RA FAST CHARGER		1			
A04		COMPO-PARTS					
A04	***DC40RC	DC40RC FAST CHARGER		1			
A05	191B36-3	BATTERY BL4025 SET		2			
A05	191L29-0	BATTERY BL4020 SET		2			
A06	412393-7	BATTERY COVER		1			
A07	821550-0	systainer Makpac 395x295x157 mm		1			
C10	453974-8	LATCH		4		spona Makpacu	
A08	835U77-0	INNER TRAY		1			
A09	8028H1-6	HP002GD201 INDICATION LABEL		1			

A09	8028K1-7	HP002GA201 INDICATION LABEL		1			
A10	8028H2-4	HP002GD201 PLASTIC CASE LABEL		2			
A10	8028K2-5	HP002GA201 PLASTIC CASE LABEL		2			
F01	191E41-8	GRIP ASSEMBLY SET		1		dr	

Prosím uveďte objednáací číslo dílu v objednávce

Datum tisku 25. 10. 2024