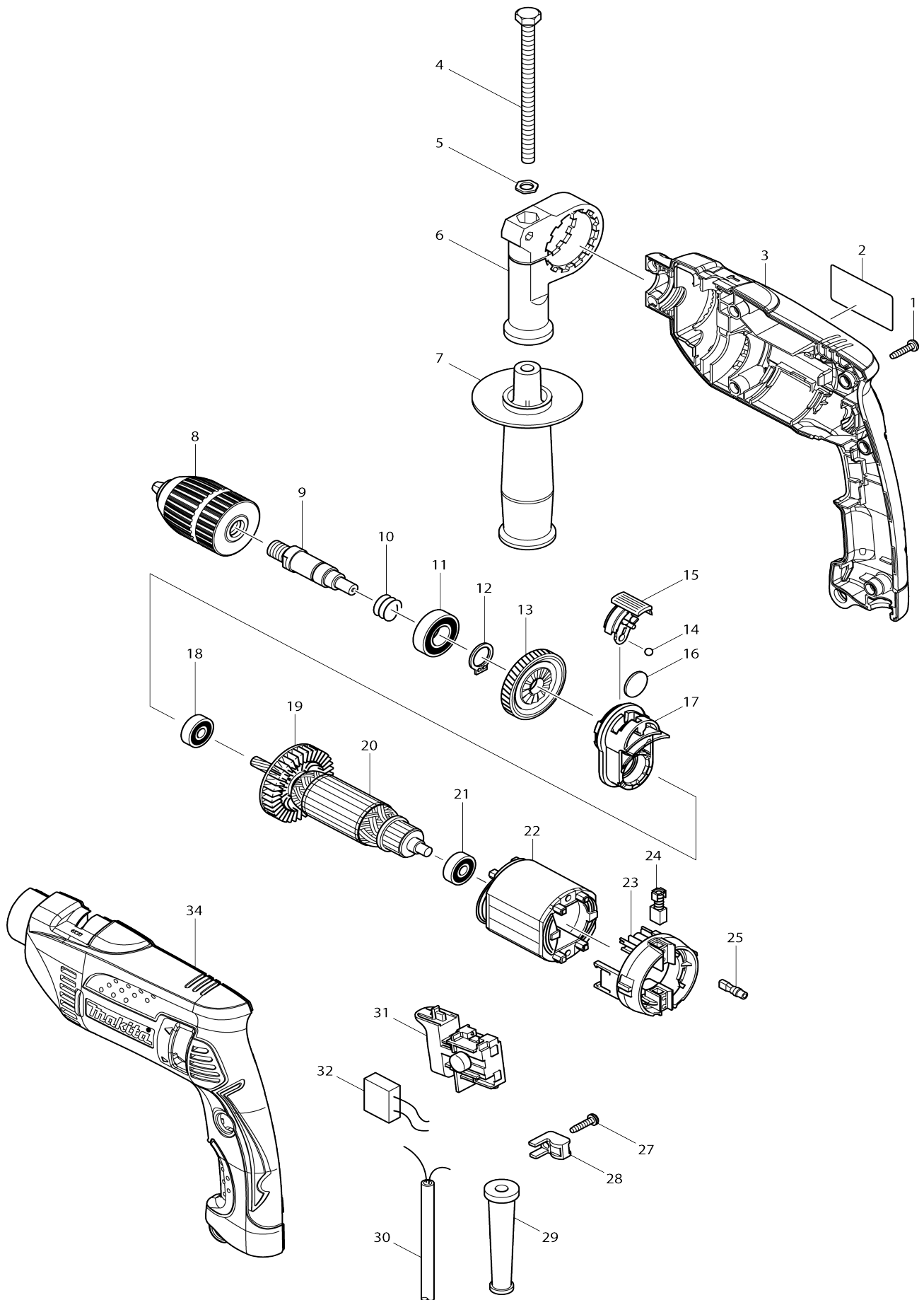


Model No.HP1641 PŘÍKLEPOVÁ VRTAČKA 16MM



Model No.HP1641 PŘÍKLEPOVÁ VRTAČKA 16MM

| Obj. č. | Obj. č. | Popis | Možn ost zá měny | Množ ství | Nový/ Starý | Poznámka 1 | Poznámka 2 |
|---------|----------|---------------------------------------|------------------------|--------------|----------------|---|------------|
| 001 | 265995-6 | šroub 4x18 = old 265941-9 | | 7 | | | |
| 002 | 866006-6 | HP1641 NAME PLATE | | 1 | | | |
| 003 | 188611-2 | obal stroje | | 1 | * | obal stroje HP1640 HP1641=new183U71- 9 | |
| C10 | 345399-9 | PLATE | | 2 | * | | |
| 003 | | INC. 34 | | | * | | |
| 003-1 | 183U71-9 | HOUSING SET | S | 1 | | obal stroje HP1640 HP1641 = old 183U71 -9 | |
| C10 | 345399-9 | PLATE | | 2 | | | |
| 003-1 | | INC. 34 | | | | | |
| 004 | 265583-9 | šroub M8x120 | | 1 | | | |
| 005 | 345280-4 | matka šestihran | | 1 | | matka | |
| 006 | 417630-4 | objímka přídatné rukojeti -HP20 50 | | 1 | | | |
| 007 | 152489-9 | GRIP 36 COMPLETE | | 1 | | | |
| 008 | 192692-0 | sklíčidlo HP1621=old 194073-4 | | 1 | * | | |
| 008-1 | 196193-0 | KEYLESS DRILL CHUCK | O | 1 | * | | |
| 008-2 | 196564-1 | KEYLESS DRILL CHUCK | O | 1 | * | | |
| 008-3 | 196193-0 | KEYLESS DRILL CHUCK | < | 1 | | | |
| 009 | 324397-6 | vřetenno HP1620,1621 | | 1 | | v | |
| 010 | 233389-3 | pružina HP1620,1621 | | 1 | | pru | |
| 011 | 211201-7 | kuličkové ložisko 6002LLB | | 1 | | kuli | |
| 012 | 961055-9 | segrovka vnější S-15 | | 1 | | segrovka vn | |
| 013 | 226579-5 | ozubené kolo HP1620,1621 | | 1 | | ozuben | |
| 014 | 216018-3 | kulička 5.0 BFL/BFT | | 1 | | kuli | |
| 015 | 418319-7 | přepínač HP1620,1621 | | 1 | | p | |
| 016 | 345354-1 | ocelový kroužek HP1620,1621 | | 1 | | ocelov | |
| 017 | 153831-7 | příklep HP1620,1621 | | 1 | * | | |
| 017-1 | 141165-0 | držák spojky | < | 1 | | dr | |
| 018 | 210023-2 | kuličkové ložisko 627 DDW | | 1 | | | |
| 019 | 240067-8 | větrák 55 = old 241869-5 | | 1 | | v | |
| 020 | 517458-1 | rotor HP1620,1621 | | 1 | | rotor HP1620 1621 | |
| 020 | | INC. 18,19,21 | | | | | |
| 021 | 211028-5 | kuličkové ložisko 627LB | | 1 | | kuli | |
| 022 | 633568-7 | stator | | 1 | | stator HP1620 HP162 1 HP1640 HP1641 | |
| 023 | 638237-5 | patice statoru HP1620,1621 | | 1 | * | patice statoru HP162 0 1621=new632S42-6 +183U71-9 | |
| 023-1 | 632S42-6 | BRUSH HOLDER UNIT | S | 1 | | dr | |
| 024 | 191962-4 | uhlíky CB-419 = CB-406,407 | | 1 | * | uhl | |
| 024-1 | 195015-1 | CARBON BRUSH SET CB-419 | O | 1 | | uhl | |
| 025 | 686038-5 | RECEPTACLE SLEEVE | | 2 | | obal | |
| 027 | 265995-6 | šroub 4x18 = old 265941-9 | | 1 | | | |
| 028 | 687260-7 | držák kabelu GA5020/6020/HR22 30 | | 1 | | dr | |
| 029 | 682502-4 | ochranná průchodka 8-85 | | 1 | | ochrann | |
| 030 | 665383-1 | POWER SUPPLY CORD 1.0-2-2.0 | | 1 | | kabel 1.0-2-2.0 HP16 30/1631K=695556-2 | |

| | | | | | | | |
|-------|----------|--|---|---|---|---|--|
| 031 | 650570-5 | vypínač TG843TB-2 | | 1 | | vyp | |
| 032 | 645200-1 | kondenzátor=old645105-5=new645267-9 | | 1 | * | kondensator=new645267-9 | |
| 032-1 | 645267-9 | kondenzátor=old645200-1 | O | 1 | | kondenz | |
| 034 | 188611-2 | obal stroje | | 1 | * | obal stroje HP1640 HP1641=new183U71-9 | |
| C10 | 345399-9 | PLATE | | 2 | * | | |
| 034 | | INC. 3 | | | * | | |
| 034-1 | 183U71-9 | HOUSING SET | S | 1 | | obal stroje HP1640 HP1641 = old 183U71-9 | |
| C10 | 345399-9 | PLATE | | 2 | | | |
| 034-1 | | INC. 3 | | | | | |
| A01 | 324219-0 | hloubkový doraz HR2020/2440/50F | | 1 | | hloubkov | |
| A02 | 824724-2 | transportní kufr 8450K/HP1620K=new824923 | | 1 | * | | |
| C10 | 183091-7 | 086995 | | 1 | * | p | |
| A02 | 821549-5 | systainer Makpac 395x295x105mm | | 1 | | | |
| C10 | 453974-8 | LATCH | | 4 | | spona Makpacu | |
| A02-1 | 824923-6 | plastový kufr=old824724-2 | < | 1 | | | |
| A03 | 837666-1 | INNER TRAY | | 1 | * | | |
| A03-1 | 838038-3 | INNER TRAY | < | 1 | | | |
| A04 | 801C94-4 | HP1641J INDICATION LABEL | | 1 | | | |
| A05 | 801C95-2 | HP1641J PLASTIC CASE LABEL | | 2 | | | |
| E04 | 646173-1 | CHOKE COIL | | 1 | | | |
| E05 | 646172-3 | CHOKE COIL | | 1 | | | |

Prosím uveďte objednáč číslo dílu v objednávce

Datum tisku 25. 10. 2024