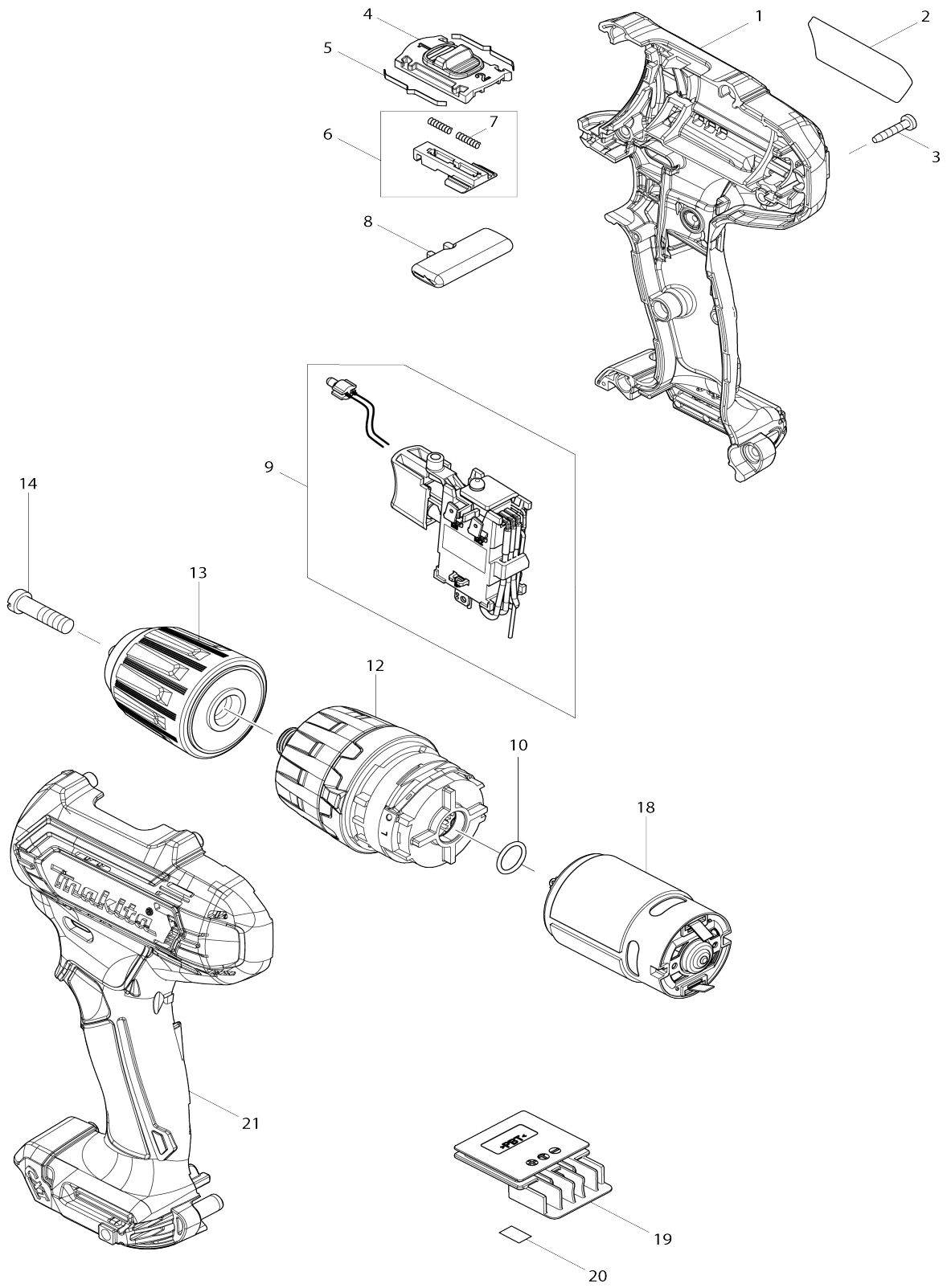


Model No.HP333D CORDLESS HAMMER DRIVER DRILL



Model No.HP333D CORDLESS HAMMER DRIVER DRILL

Obj. č.	Obj. č.	Popis	Možnost záměny	Množství	Nový/ Starý	Poznámka 1	Poznámka 2
001	183K90-5	HOUSING SET		1		obal	
C10	252126-6	HEX. LOCK NUT M4-7		2		matka	
001		INC. 21					
002	855E12-6	HP333D NAME PLATE		1			
003	266429-2	TAPPING SCREW 3X16		9			
004	459026-3	SPEED CHANGE LEVER		1	*		
004-1	413F37-8	SPEED CHANGE LEVER	S	1		p	
005	232493-5	LEAF SPRING		2		pru	
006	127127-2	CHANGE LEVER ASSEMBLY		1	*	p	
006		INC. 7			*		
006-1	122B84-1	CHANGE LEVER ASSEMBLY	S	1		p	
006-1		INC. 7					
007	233025-1	vinutá pružina 2 6702DW		2			
008	456039-5	F/R CHANGE LEVER		1		p	
009	632J76-5	SWITCH UNIT		1		p	
C10	620625-0	LED CIRCUIT		1			
C20	688161-2	LINE FILTER		1			
010	213176-6	o kroužek		1		o krou	
012	127124-8	GEAR ASSEMBLY		1	*		
012-1	122C95-2	GEAR ASSEMBLY	<	1		p	
013	763238-5	KEYLESS DRILL CHUCK 10		1			
014	251468-5	šroub MT065		1			
018	629395-8	DC MOTOR		1		motor DF033D DF333 D HP333D	
019	644813-5	TERMINAL		1		terminal	
020	855E19-2	HP333D SERIAL NO. LABEL		1			
021	183K90-5	HOUSING SET		1		obal	
C10	252126-6	HEX. LOCK NUT M4-7		2		matka	
021		INC. 1					
A01	251314-2	028078		1			
A02	346909-5	HOOK		1			
A03	784244-7	+ BIT 2-50		1			
A04	821661-1	PLASTIC CARRYING CASE		1			
C10	417724-5	sponka ke kufru 6317DW		2		sponka ke kufru HR2 450 HR2470 HR2470T	
A05	818P52-1	HP333DSAE MODEL NO. LABEL		1			
A05	818P56-3	HP333DSME MODEL NO. LABEL		1			
A05	818P58-9	HP333DWME MODEL NO. LABEL		1			
A08	456128-6	BATTERY COVER		1			
A09	***DC10SB	DC10SB BATTERY CHARGER		1			
A09		COMPO-PARTS					
A09	***DC10WD	DC10WD BATTERY CHARGER		1			
A10	197396-9	BATTERY BL1021B SET		2	*		
A10	197406-2	BATTERY BL1041B SET		2	*		
A10-1	197396-9	BATTERY BL1021B SET	O	2			
A10-1	197406-2	BATTERY BL1041B SET	O	2			
E01	632N11-7	LINE FILTER UNIT		1			
F40	347C56-3	HOOK		1			

Prosím uveďte objednáací číslo dílu v objednávce

Datum tisku 25. 10. 2024