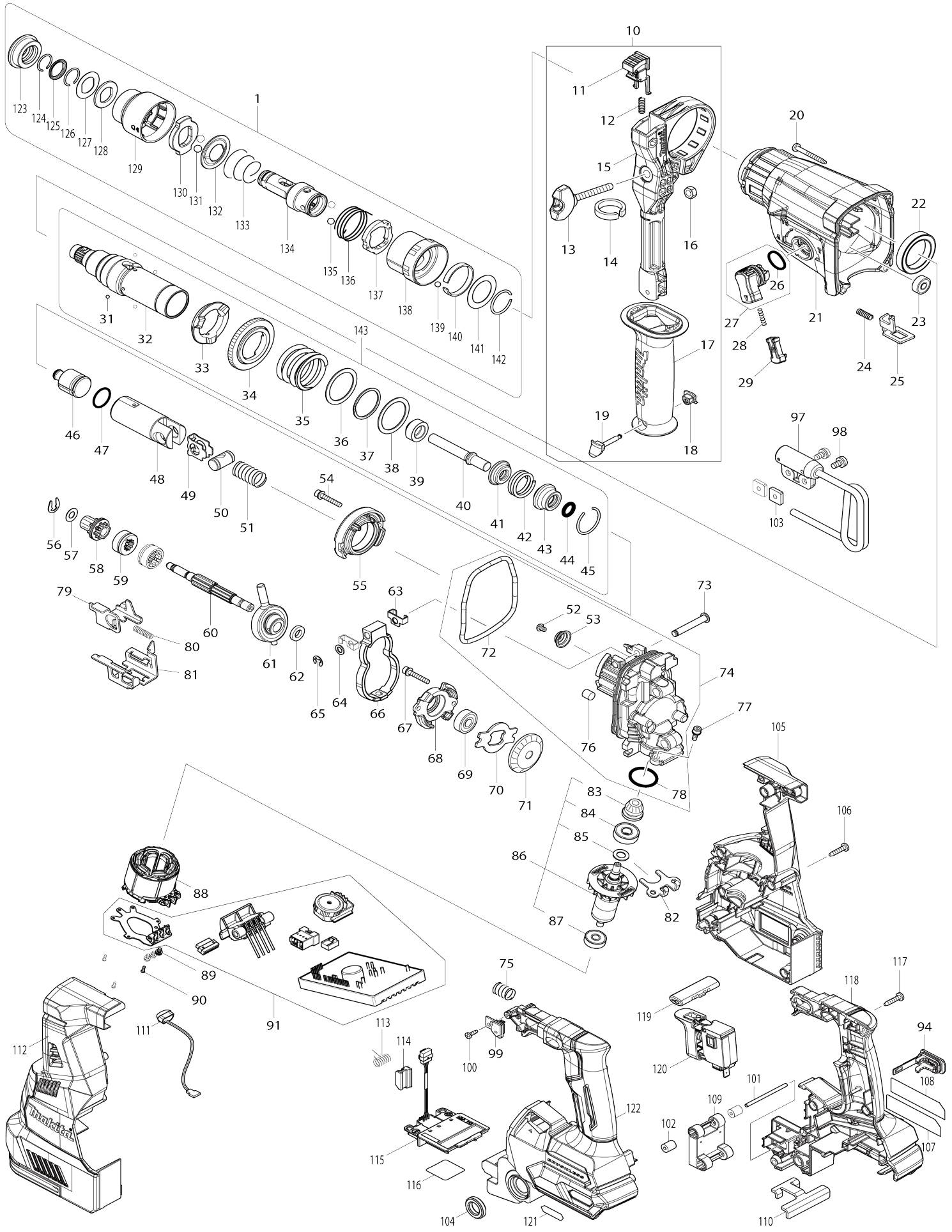


# Model No.HR002G 28MM CRDLS COMBINATION HAMMER



**Model No.HR002G 28MM CRDLS COMBINATION HAMMER**

Obj. č.	Obj. č.	Popis	Možn ost zá měny	Množ ství	Nový/ Starý	Poznámka 1	Poznámka 2
001	199138-7	TOOL HOLDER SET		1			
001		INC. 123-142					
010	126882-3	GRIP ASSEMBLY		1		dr	
010		INC. 11-19					
011	144959-2	LOCK BUTTON COMPLETE		1			
012	233360-7	COMPRESSION SPRING 4		1		pru	
013	265625-9	THUMB SCREW M6X50		1			
014	422258-5	SPONGE SHEET		1			
015	458355-1	SIDE HANDLE BASE		1			
016	931302-2	matka M6		1		matka M6=new25227 3-3	
017	458357-7	GRIP 36		1			
018	422255-1	CAP		1			
019	161838-9	FIX PIN		1			
020	266351-3	šroub 4x35=old266053-1		4			
021	144965-7	GEAR HOUSING COMPLETE		1		obal	
C10	213345-9	OIL SEAL 25		1		t	
C20	331890-3	jehlové ložisko		1		jehlov	
022	211294-4	ložisko		1		lo	
023	211012-0	kuličkové ložisko 606ZZ		1			
024	233360-7	COMPRESSION SPRING 4		1		pru	
025	347228-2	LOCK PLATE		1		deska	
026	213278-8	o-kroužek 17		1		o-krou	
027	135961-6	CHANGE LEVER ASSY		1		p	
027		INC. 26					
028	234264-6	COMPRESSION SPRING 3		1		pru	
029	457709-9	LOCK BUTTON		1		knofl	
031	216019-1	kulička pr.3mm		4		kuli	
032	144966-5	TOOL HOLDER GUIDE COMPLETE		1		dr	
C10	213344-1	o kroužek 9 HR2800=old213076-0		1		o krou	
033	332139-4	DRIVING FLANGE		1		miska	
034	227360-7	SPUR GEAR 51		1		ozuben	
035	234148-8	COMPRESSION SPRING 31		1		pru	
036	267153-0	FLAT WASHER 30		1		podlo	
037	257932-4	kroužek		1		krou	
038	267153-0	FLAT WASHER 30		1		podlo	
039	325783-4	pouzdro		1		pouzdro	
040	325791-5	úderník		1			
041	325792-3	WASHER 10		1		pouzdro HR2611F	
042	234149-6	COMPRESSION SPRING 20		1		pru	
043	325793-1	domeček o kroužku		1		dome	
044	213073-6	o-kroužek 9		1		o-krou	
045	233979-2	kroužek		1		krou	
046	325784-2	úderník		1			
047	213258-4	o-kroužek 17.5		1		o-krou	
048	327079-9	PISTON CYLINDER		1		v	
049	346036-8	GUIDE PLATE		1		desti	

050	324215-8	pístní čep HR2440/50		1		p	
051	232449-8	COMPRESSION SPRING 14		1		pru	
052	265A87-7	TORX SOCKET BUTTON BOLT M4 X8		1			
053	347344-0	SPRING GUIDE		1			
054	922148-7	inbus šroub M4x25		2		inbus	
055	144960-7	INNER SUPPORT COMPLETE		1		vzp	
056	257336-0	kroužek		1		krou	
057	253186-1	podložka 7		1		podlo	
058	226170-9	SPUR GEAR 10		1		ozuben	
059	332125-5	CLUTCH CAM		2	*		
059-1	310678-4	CLUTCH CAM	O	2		spojka	
060	327078-1	CAM SHAFT		1		vzp	
061	219030-2	SWASH BEARING 10		1		lo	
062	257321-3	RING 8		1		krou	
063	346538-4	WEIGHT HOLDER GUIDE		2		dr	
064	253077-6	distanční podložka 6		1		distan	
065	961018-5	zajišťovací kroužek E-5		1		zaji	
066	310869-7	COUNTER WEIGHT		1		z	
067	922148-7	inbus šroub M4x25		2		inbus	
068	319674-9	BEARING BOX		1		pouzdro lo	
069	211032-4	ložisko 1902		1			
070	347343-2	BEARING RETAINER B		1		vymezova	
071	221599-4	SPIRAL BEVEL GEAR 32		1		ozuben	
072	213850-6	O-RING 74		1		o-krou	
073	256536-9	FLAT FILLISTER HD PIN 6		1			
074	136194-6	INNER HOUSING ASS'Y		1		obal	
074		INC. 52,53,72,76,78					
075	232436-7	COMPRESSION SPRING 10		1		pru	
076	443153-6	FELT		1		pls	
077	922118-6	hex. socket head bolt M4x12		2		hex. socket head bolt M4x12	
078	213008-7	o-kroužek 22.4		1		o-krou	
079	347230-5	CHANGE PLATE B		1		deska	
080	234343-0	COMPRESSION SPRING 5		1		pru	
081	347229-0	CHANGE PLATE A		1		deska	
082	346536-8	BEARING RETAINER A		1		kryt lo	
083	144964-9	SPIRAL BEVEL GEAR 11 COMPLETE		1		pastorek	
084	210024-0	kuličkové ložisko 608		1		kuli	
085	253835-0	podložka		1		podlo	
086	519513-5	ROTOR ASSY		1	*	rotor DHR280 DHR281 DHR282 DHR283=n ew619841-9	
086		INC. 83-85,87			*		
086-1	619841-9	ROTOR	O	1		rotor= old519513-5	
086-1		INC. 83-85,87					
087	210022-4	kuličkové ložisko 626 DDW		1			
088	629454-8	STATOR		1		stator	
089	652069-6	FLAT HEAD SCREW M3X6		3			
090	266490-9	TAPPING SCREW PT 2X6		3			
091	620B98-9	CONTROLLER		1	*	ovl	
091-1	620K79-7	CONTROLLER	<	1	*	ovl	

091-2	620P10-3	CONTROLLER	<	1		
094	140G30-2	CAP COMPLETE		1		v
C10	213218-6	o kroužek		1	*	o krou
C11	213A05-9	O-RING16	O	1		o krou
C20	818H48-4	CAP LABEL		1		
097	127344-4	HOOK ASS'Y		1	*	h
097-1	122B76-0	HOOK ASSEMBLY	<	1		h
098	911211-1	šroub M5x12		2	*	
098-1	911218-7	Pan Head Screw M5x14=new922 217-4	<	2		
099	620C01-6	SENSOR CIRCUIT		1		okruh
100	266007-8	Tapping Screw Bind PT3x1=old3 20266007		1		Tapping Screw Bind P T3x1=old320266007
101	256886-2	ROD 3		2		ty
102	422472-3	SPONGE SLEEVE 3		4		pouzdro 3
103	264002-2	SQUARE NUT M5		2		matka
104	459184-5	CUSHION RING 12		2		krou
105	183N64-4	HOUSING SET		1		obal
105		INC. 112				
106	266326-2	šroub 4x18=new265995-6		8		
107	856N37-7	HR002G NAME PLATE		1		
108	8008C4-9	CLEAR LABEL		1	*	
109	620C00-8	ACCELEROMETER CIRCUIT		1		okruh
110	346039-2	SUPPORT PLATE		1		deska
111	620549-0	LED CIRCUIT		1		led okruh
112	183N64-4	HOUSING SET		1		obal
112		INC. 105				
113	233598-4	TORSION SPRING 6		1		pru
114	313226-8	OPENER		1		blok
115	632P64-8	TERMINAL UNIT		1		vstup
116	856N43-2	HR002G SERIAL NO. LABEL		1		
117	266326-2	šroub 4x18=new265995-6		7		
118	183N52-1	HANLDE SET		1		rukoje
C10	263005-3	vymezovací čep 6		2		
118		INC. 122				
119	453124-5	F/R CHANGE LEVER		1		p
120	651439-6	SWITCH C3JR-4B-2		1		vyp
121	8005T5-8	XGT LOGO LABEL		1		
122	183N52-1	HANLDE SET		1		rukoje
C10	263005-3	vymezovací čep 6		2		
122		INC. 118				
123	286288-8	prachovka		1		prachovka
124	233989-9	kroužek		1		krou
125	346221-3	podložka		1		podlo
126	233992-0	segrovka		1		segrovka HR2300
127	267437-6	kroužek		1		
128	424364-2	RUBBER WASHER 16		1		krou
129	458358-5	CHUCK COVER		1		kryt
130	327081-2	STOPPER		1		
131	216022-2	kulička = old 183013		2		kuli
132	346177-0	podložka		1		podlo
133	233916-6	pružina		1		pru

134	327080-4	TOOL HOLDER		1		
135	216013-3	kulička 6		2		kuli
136	231669-1	pružina HR2450T		1		pru
137	345334-7	kroužek HR2450T		1		krou
138	418218-3	objímka HR2450T		1		obj
139	216018-3	kulička 5.0 BFL/BFT		1		kuli
140	345335-5	pružina		1		pru
141	267270-6	podložka		1		podlo
142	233924-7	pružina HR2450T		1		pru
143	135965-8	TOOL HOLDER ASSY		1		dr
143		INC. 31-45				
A01	331886-4	DEPTH GAUGE		1		
A02	198993-4	GREASE VESSEL SET		1		
A03	443122-7	CLOTH		1		
A04	199139-5	DRILL CHUCK SET		1		
A05	8007X1-6	HR002GM202 PLASTIC CASE LABEL		2		
A05	8007X3-2	HR002GM204 PLASTIC CASE LABEL		2		
A06	198900-7	WIRELESS UNIT SET		1	*	
A06-1	198900-7	WIRELESS UNIT SET	<	1	*	
A06-2	198900-7	WIRELESS UNIT SET	<	1	*	
A06-3	198900-7	WIRELESS UNIT SET	O	1	*	
A06-4	198900-7	WIRELESS UNIT SET	<	1		
A07	821552-6	system Makpac 395x295x315 mm=old824783-6		1		
C10	453974-8	LATCH		4		spona Makpacu
A08	835C84-5	INNER TRAY		1		
A09	8007X0-8	HR002GM202 INDICATION LABEL		1		
A09	***DX14	DX14 DUST COLLECTION SYSTEM		1		
A09		COMPO-PARTS				
A09		INC. A10				
A10	424474-5	SEALING CAP		5		
A11	191B26-6	BATTERY BL4040 SET		2		
A12	412393-7	BATTERY COVER		1	*	
A12-1	412393-7	BATTERY COVER	<	2		
A13	***DC40RA	DC40RA FAST CHARGER		1		
A13		COMPO-PARTS				
A14	8007X2-4	HR002GM204 INDICATION LABEL		1		
B01	195833-7	HAMMER SERVICE KIT		1		
C10	195127-0	OIL VESSEL SET		2		
B01		INC. 44,45,47,123,124,126,128,				
B01		INC. 131				
B02	191C37-7	HOOK SET		1	*	h
B02		INC. 97,98,103			*	
B02-1	191W90-3	HOOK SET	<	1		
C10	911218-7	Pan Head Screw M5x14=new922217-4		2		
B02-1		INC. 97,103				
F07	191E60-4	DX14DUST COLLECTION SYSTEM SET		1		

F16	195548-6	JOINT 22-38 SET		1			
F21	199557-7	FILTER SET		1			
F40	199138-7	TOOL HOLDER SET		1			
F41	199139-5	DRILL CHUCK SET		1			
G12	1914X3-8	DUST EXTRACTION PAD SET		1			

Prosím uveďte objednáací číslo dílu v objednávce

Datum tisku 25. 10. 2024