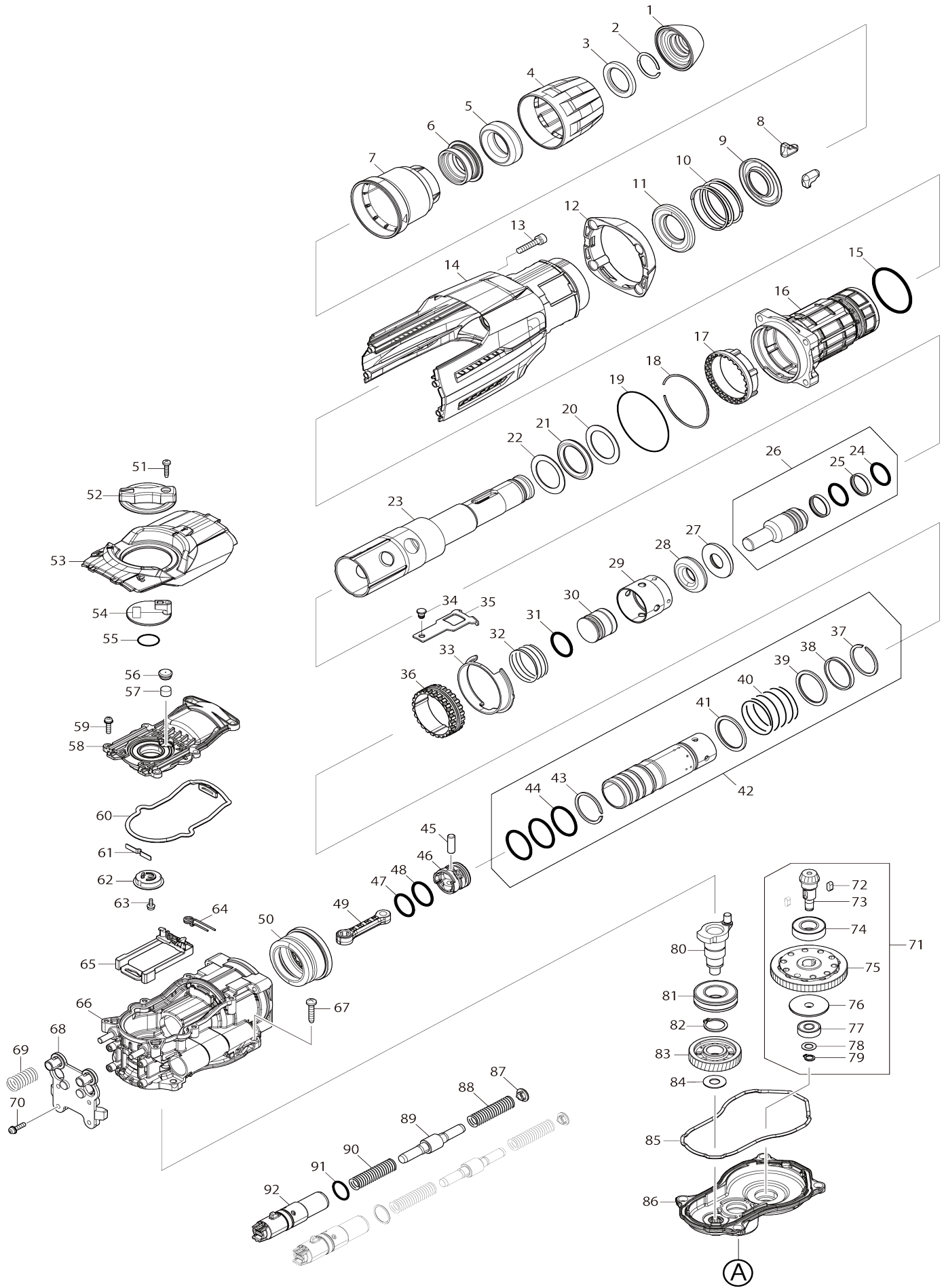
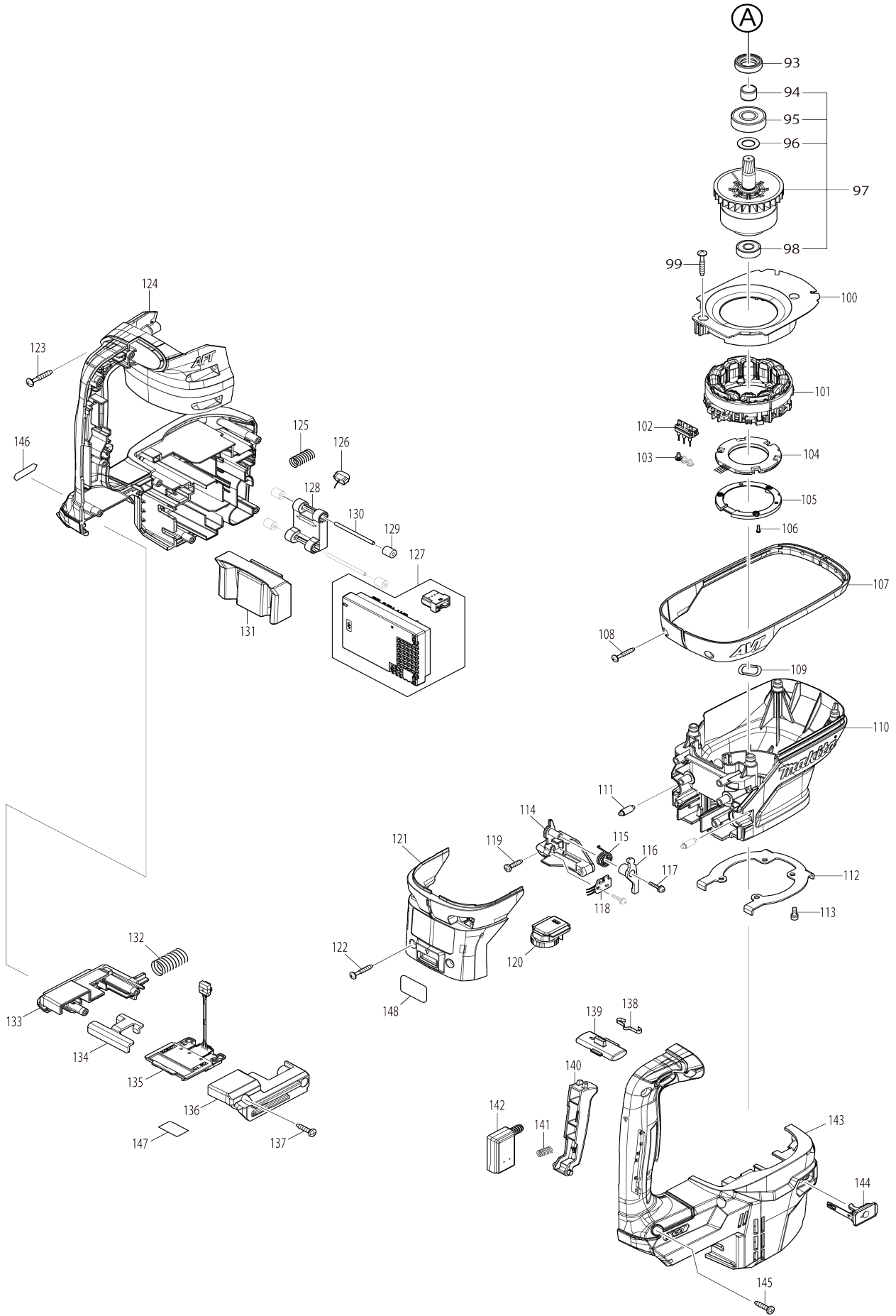


# Model No.HR005G 40MM CORDLESS ROTARY HAMMER



# Model No.HR005G 40MM CORDLESS ROTARY HAMMER



**Model No.HR005G 40MM CORDLESS ROTARY HAMMER**

Obj. č.	Obj. č.	Popis	Možn ost zá měny	Množ ství	Nový/ Starý	Poznámka 1	Poznámka 2
001	286292-7	TOOL HOLDER CAP		1		prachovka	
002	233948-3	pojistný kroužek HR5210-11C		1		pojistn	
003	257308-5	RING 28		1		krou	
004	454330-5	CHUCK COVER		1		kryt	
005	262167-4	RUBBER RING 30		1		gumov	
006	326272-2	CHUCK RING		1		krou	
007	454331-3	RELEASE COVER		1		kryt	
008	310257-8	TOOL RETAINER		2		up	
009	346670-4	SPRING GUIDE		1		podlo	
010	234288-2	COMPRESSION SPRING 46		1			
011	346670-4	SPRING GUIDE		1		podlo	
012	424560-2	HOUSING CAP		1			
013	922351-0	HEX. SOCKET HEAD BOLT M6X30		4			
014	141957-7	HOUSING COVER A COMPLETE		1			
C10	810100-6	CAUTION LABEL		1			
015	213615-6	o-kroužek 46		1		o-krou	
016	141956-9	BARREL COMPLETE		1		v	
C10	213490-0	OIL SEAL 32		1			
C20	213492-6	o-kroužek 32 HR5211C/5210C/5201C		1		o-krou	
C30	233963-7	RING SPRING 45		1			
017	454337-1	LOCK SLEEVE		1		pouzdro	
018	234290-5	RING SPRING 59		1			
019	213707-1	o-kroužek 65		1		o-krou	
020	267469-3	FLAT WASHER 32		1		podlo	
021	262168-2	RUBBER RING 32		1		krou	
022	267469-3	FLAT WASHER 32		1		podlo	
023	326268-3	TOOL HOLDER		1		dr	
024	213317-4	o-kroužek 20		2		o-krou	
025	213392-0	fluoridní kroužek 25 HR4000C		2		fluoridn	
026	136377-8	IMPACT BOLT ASSY		1			
026		INC. 24,25					
027	326274-8	RING 17		1		krou	
028	262166-6	RUBBER RING 18		1		krou	
029	454347-8	SLIDE SLEEVE		1		obal	
030	326270-6	STRIKER		1		tlouk	
031	213695-2	O-RING 22		1		o krou	
032	234289-0	COMPRESSION SPRING 33		1		pru	
033	346673-8	GUIDE RING		1		t	
034	256548-2	FLAT FILLISTER HEAD PIN 6		1			
035	346671-2	LINK PLATE		1		deska veden	
036	313255-1	DRIVING SLEEVE		1		kolo	
037	257991-8	RETAINING RING (EXT) WR-32.5		1		segrovka	
038	257340-9	RING 33		1		krou	
039	267470-8	FLAT WASHER 33		1		podlo	
040	234287-4	COMPRESSION SPRING 34		1			
041	267470-8	FLAT WASHER 33		1		podlo	
042	136378-6	CYLINDER ASSY		1		v	

042		INC. 37-41,43,44			
043	257991-8	RETAINING RING (EXT) WR-32.5		1	segrovka
044	213406-5	o-kroužek 30		3	o-krou
045	256197-5	čep 7 = old 331507-8		1	
046	419004-5	píst HR4011C		1	p
047	213379-2	o-kroužek 21 HR4011C		1	o-krou
048	213695-2	O-RING 22		1	o krou
049	454317-7	CONNECTING ROD		1	ty
050	227613-4	SPIRAL BEVEL GEAR 26		1	ozuben
051	265995-6	šroub 4x18 = old 265941-9		1	
052	454326-6	CHANGE LEVER		1	p
053	313325-6	CRANK CAP COVER		1	kryt klikovky
054	454345-2	CRANK LEVER		1	kole
055	213262-3	o-kroužek 18		1	o-krou
056	424556-3	FILTER CAP		1	
057	443182-9	FILTER		1	
058	454319-3	CRANK CAP		1	
059	911128-8	P.H.SCREW M4X16 WITH WR		6	
060	424559-7	SEAL RING B		1	t
061	232280-2	LEAF SPRING		1	pru
062	458100-4	LINK LEVER		1	p
063	911511-9	šroub		1	
064	233603-7	TORSION SPRING 7		1	pru
065	454338-9	LINK GUIDE		1	veden
066	141953-5	CRANK HOUSING A COMPLETE		1	klikovka DHR400 HR4013C
067	266041-8	šroub křížový 5103R = old 933526		4	
068	140Y51-2	SPRING HOLDER COMPLETE		1	dr
C10	422646-6	CAP 10		2	
069	234282-4	COMPRESSION SPRING 12		2	
070	911128-8	P.H.SCREW M4X16 WITH WR		4	
071	126290-8	TORQUE LIMITER ASSEMBLY		1	kompletn
071		INC. 72-79			
072	254239-9	key 4		2	key 4
073	227612-6	SPIRAL BEVEL GEAR 7		1	
074	211232-6	Ball Bearing 6002LLU		1	kuli
075	141959-3	TORQUE LIMITER COMPLETE		1	spojka
076	324727-1	SHOULDER WASHER 8		1	
077	210005-4	kulič. ložisko 608DDW = old 211031-6		1	kuli
078	253215-0	796119		1	
079	961004-6	segrovka S-8		1	segrovka S-8
080	326271-4	CRANK SHAFT		1	klikovka DHR400 HR4003C HR4013C
081	210183-0	BALL BEARING 6004LLU		1	lo
082	961060-6	segrovka vnější S-20		1	segrovka vn
083	227772-4	HELICAL GEAR 37		1	ozuben
084	253180-3	podložka 10		1	podlo
085	424558-9	SEAL RING A		1	t
086	141955-1	GEAR HOUSING COMPLETE		1	spodn
087	454342-8	SPRING PLATE		2	
088	234286-6	COMPRESSION SPRING 11		2	pru

089	326273-0	COUNTER WEIGHT		2			
090	234286-6	COMPRESSION SPRING 11		2		pru	
091	213325-5	O RING 19		2		o krou	
092	142289-5	HOLDER COMPLETE		2			
093	213231-4	gufero 15-25-7		1		gufero 15-25-7	
094	331596-3	pouzdro		1		pouzdro	
095	211137-0	ložisko HM0860C		1		lo	
096	253744-3	podložka 12		1		podlo	
097	519492-7	ROTOR ASSY		1	*		
097		INC. 94-96,98			*		
097-1	519707-2	ROTOR ASSY	O	1	*	rotor=old519492-7	
097-1		INC. 94-96,98			*		
097-2	519707-2	ROTOR ASSY	O	1		rotor=old519492-7	
097-2		INC. 94-96,98					
098	210005-4	kulič. ložisko 608DDW = old 2110 31-6		1		kuli	
099	265999-8	TAPPING SCREW 4X25		2			
100	458099-3	BAFFLE PLATE		1		deska	
101	629335-6	STATOR		1		stator	
102	632R64-0	LEAD UNIT		1		veden	
103	652031-1	PAN HEAD SCREW M3X6		3			
104	620D76-1	CONTROLLER B		1		ovl	
105	687B69-9	STOPPER		1		zar	
106	266490-9	TAPPING SCREW PT 2X6		3			
107	454348-6	GUARD 40		1			
108	265999-8	TAPPING SCREW 4X25		2			
109	267721-9	WAVE WASHER 15		1		podlo	
110	458051-1	MOTOR HOUSING		1		obal motoru	
111	256380-4	SHOULDER PIN 4-6		2			
112	347299-9	GUIDE PLATE		1		veden	
113	922111-0	šroub inbus M4x10=old911114-9		4			
114	412951-9	BASE		1		zakladna	
115	232643-2	TORSION SPRING 13		1		pru	
116	140W56-0	LEVER COMPLETE		1		p	
117	263046-9	TAPPING SCREW 3X14		2			
118	620D75-3	SENSOR CIRCUIT		1		senzor	
119	265995-6	šroub 4x18 = old 265941-9		2			
120	620796-3	DIAL CIRCUIT		1		elektronika=new620 H67-6	
121	140W55-2	MOTOR HOUSING COVER COMPLETE		1		obal motoru	
C10	422564-8	SPONGE SHEET		1	*		
C11	422730-7	RUBBER SHEET	<	1			
122	265999-8	TAPPING SCREW 4X25		2			
123	265999-8	TAPPING SCREW 4X25		4			
124	183R84-2	HOUSING SET		1		obal	
124		INC. 143					
125	232411-3	COMPRESSION SPRING 8		1		pru	
126	620549-0	LED CIRCUIT		1		led okruh	
127	620D73-7	CONTROLLER		1	*	ovl	
127-1	620D73-7	CONTROLLER	O	1		ovl	
128	620D74-5	ACCELEROMETER CIRCUIT		1		elektronika	

129	422472-3	SPONGE SLEEVE 3		4		pouzdro 3	
130	256886-2	ROD 3		2		ty	
131	422642-4	CUSHION RUBBER		1		guma	
132	232650-5	COMPRESSION SPRING 13		1		pru	
133	183R85-0	BATTERY HOLDER SET		1		dr	
C10	263005-3	vymezovací čep 6		2			
133		INC. 136					
134	346039-2	SUPPORT PLATE		1		deska	
135	632P49-4	TERMINAL UNIT		1		termin	
136	183R85-0	BATTERY HOLDER SET		1		dr	
C10	263005-3	vymezovací čep 6		2			
136		INC. 133					
137	265995-6	šroub 4x18 = old 265941-9		2			
138	232152-1	listová pružina		1		listov	
139	412953-5	TRIGGER LOCK		1		z	
140	458097-7	SWITCH LEVER		1		vyp	
141	232418-9	COMPRESSION SPRING 5		1		pru	
142	651083-9	SWITCH C3XA-1PSPM		1		vyp	
143	183R84-2	HOUSING SET		1		obal	
143		INC. 124					
144	140F99-0	CAP COMPLETE		1		v	
C10	213218-6	o kroužek		1		o krou	
C20	818H07-8	CAP LABEL		1			
145	265995-6	šroub 4x18 = old 265941-9		8			
146	8012U4-2	XGT LOGO LABEL		1			
147	857X76-0	HR005G SERIAL NO. LABEL		1			
148	857X71-0	HR005G NAME PLATE		1			
A01	123138-5	SIDE GRIP ASSEMBLY		1			
A02	196792-8	SIDE HANDLE 73 SET		1			
A03	194683-7	mazací tuk = old 194659-4		1			
A04	821837-0	PLASTIC CASE		1			
A05	331955-1	DEPTH GAUGE		1			
A06	443122-7	CLOTH		1			
A07	198900-7	WIRELESS UNIT SET		1	*		
A07-1	198900-7	WIRELESS UNIT SET	<	1	*		
A07-2	198900-7	WIRELESS UNIT SET	<	1	*		
A07-3	198900-7	WIRELESS UNIT SET	O	1	*		
A07-4	198900-7	WIRELESS UNIT SET	<	1			
A08	412393-7	BATTERY COVER		2			
A09	191B26-6	BATTERY BL4040 SET		2			
A10	***DC40RA	DC40RA FAST CHARGER		1			
A10		COMPO-PARTS					
B01	191N29-2	HAMMER SERVICE KIT		1			
C10	181490-7	mazivo 30g		2	*		
C11	1914C5-7	GREASE SET	O	2			
B01		INC. 1,2,8,24,25,31,47,48					
F04	199142-6	DUST EXTRACTOR ATT SET(EU)		1			
F05	199143-4	DUST EXTRACTOR ATT SET(EU)		1			
F06	199144-2	DUST EXTRACTOR ATT SET(EU)		1			
G12	1914X3-8	DUST EXTRACTION PAD SET		1			

Prosím uveďte objednací číslo dílu v objednávce

Datum tisku 25. 10. 2024