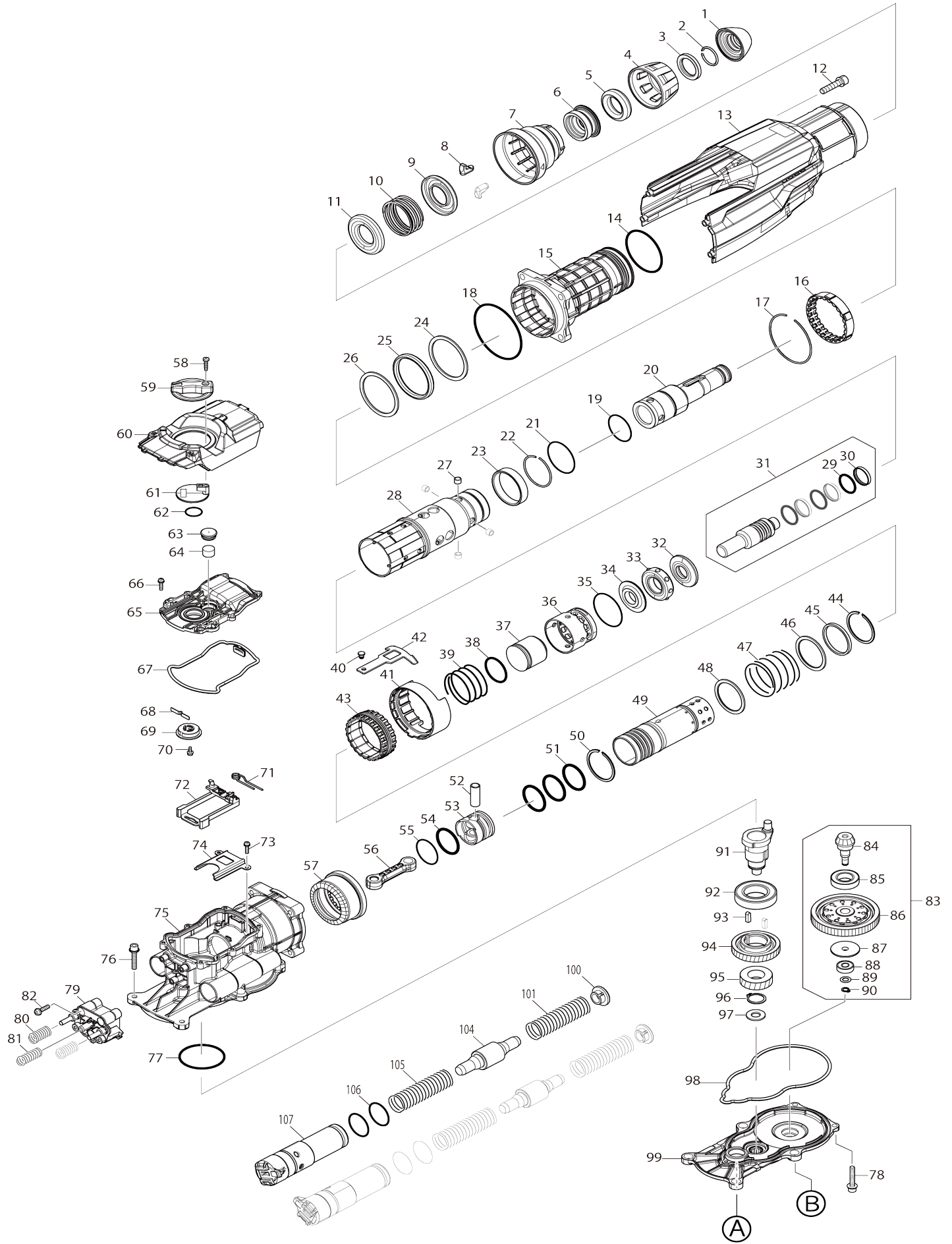
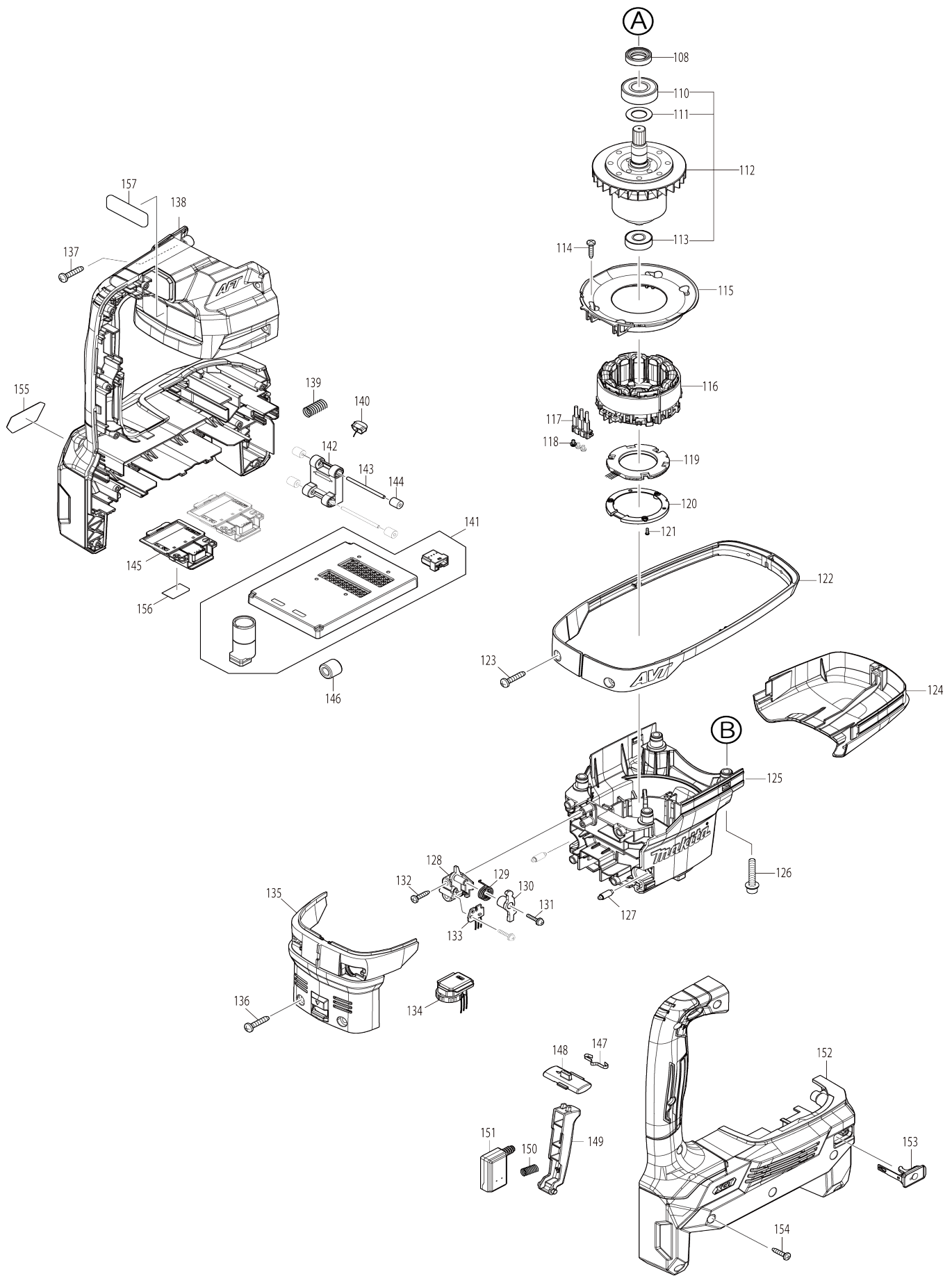


Model No.HR006G 52MM CORDLESS ROTARY HAMMER



Model No.HR006G 52MM CORDLESS ROTARY HAMMER



Model No.HR006G 52MM CORDLESS ROTARY HAMMER

Obj. č.	Obj. č.	Popis	Možn ost zá měny	Množ ství	Nový/ Starý	Poznámka 1	Poznámka 2
001	286292-7	TOOL HOLDER CAP		1		prachovka	
002	233948-3	pojistný kroužek HR5210-11C		1		pojistn	
003	257367-9	RING 28		1		krou	
004	454767-6	CHUCK COVER		1		kryt	
005	262172-1	RUBBER RING 29		1		gumov	
006	327868-2	CHUCK RING		1			
007	454768-4	RELEASE COVER		1		kryt HR5212C	
008	310178-4	válečky HR5211C/5210C/5201		2		v	
009	346751-4	SPRING GUIDE		1		krou	
010	234317-1	COMPRESSION SPRING 49		1			
011	346751-4	SPRING GUIDE		1		krou	
012	922456-6	imbus M8x35 HM1203C		4		imbus M8x35 HM120 3C	
013	140Y01-7	HOUSING COVER COMPLETE		1		obal stroje	
C10	810100-6	CAUTION LABEL		1			
014	213664-3	O RING 60		1		o-krou	
015	142408-3	BARREL COMPLETE		1		hlin	
C10	213663-5	o-kroužek 55		1		o-krou	
C20	213778-8	OIL SEAL 42		1			
C30	214603-6	PLANE BEARING 49		1			
C40	259056-2	RING SPRING 54		1			
016	454769-2	LOCK SLEEVE		1			
017	259057-0	RING SPRING 74		1			
018	213766-5	o- kroužek 78		1		o- krou	
019	213789-3	O-RING 38		1		O krou	
020	327735-1	TOOL HOLDER A		1		dr	
021	213779-6	O-RING 45		1			
022	231989-3	pojistný kroužek		1		pojistn	
023	257353-0	RING 49		1			
024	267477-4	FLAT WASHER 60		1			
025	262171-3	RUBBER RING 60		1		gumov	
026	267477-4	FLAT WASHER 60		1			
027	268308-0	PIN 9		4			
028	326362-1	TOOL HOLDER B		1			
029	213394-6	o-kroužek 23		3		o-krou	
030	213431-6	fluoridní kroužek 28 HR5001C		3		fluoridn	
031	136413-0	IMPACT BOLT ASSY		1			
031		INC. 29,30					
032	324756-4	kroužek		1		krou	
033	424000-0	gumový kroužek 24 HR5211C/52 10C		1		gumov	
034	327734-3	SHOULDER WASHER 20		1		podlo	
035	213783-5	O-RING 48		1		o krou	
036	413263-3	SLIDE SLEEVE		1		pouzdro	
037	327731-9	STRIKER		1			
038	213781-9	O-RING 33		1		O-krou	
039	234318-9	COMPRESSION SPRING 45		1			
040	256548-2	FLAT FILLISTER HEAD PIN 6		1			
041	454779-9	GUIDE RING		1		vod	

042	346749-1	LINK PLATE		1		
043	313272-1	DRIVING SLEEVE		1		
044	257994-2	RETAINING RING(EXT)WR-44		1		krou
045	257355-6	RING 44		1		o krou
046	267478-2	FLAT WASHER 44		1		
047	234319-7	COMPRESSION SPRING 46		1		
048	267478-2	FLAT WASHER 44		1		
049	327730-1	CYLINDER 40		1		v
050	257994-2	RETAINING RING(EXT)WR-44		1		krou
051	213460-9	o-kroužek 35		3		o-krou
052	257820-5	SLEEVE 9		1		pouzdro
053	312A68-3	PISTON		1		p
054	213782-7	O-RING 30		1		O-krou
055	213460-9	o-kroužek 35		1		o-krou
056	413261-7	CONNECTING ROD		1		ojnice
057	227625-7	SPIRAL BEVEL GEAR 33		1		ozuben
058	265995-6	šroub 4x18 = old 265941-9		1		
059	454326-6	CHANGE LEVER		1		p
060	312A70-6	CRANK CAP COVER		1		kryt
061	454345-2	CRANK LEVER		1		kole
062	213262-3	o-kroužek 18		1		o-krou
063	424607-2	FILTER CAP		1		
064	443129-3	filtr		1		filtr
065	454764-2	CRANK CAP		1		
066	911128-8	P.H.SCREW M4X16 WITH WR		6		
067	424608-0	SEAL RING B		1	*	
067-1	422787-8	SEAL RING B	<	1		t
068	232280-2	LEAF SPRING		1		pru
069	413827-3	LINK LEVER		1		
070	911511-9	šroub		1		
071	233611-8	TORSION SPRING 7		1		pru
072	454778-1	LINK GUIDE		1		
073	911128-8	P.H.SCREW M4X16 WITH WR		2		
074	346748-3	GUIDE RAIL		1		veden
075	140Y00-9	CRANK HOUSING A COMPLETE		1	*	klikov
075-1	141H08-4	CRANK HOUSING A COMPLETE	<	1		klikov
076	922359-4	H.S.H.BOLT M6X35 WITH WG		2		
077	213662-7	O kroužek 55 HM1801		1		O krou
078	922359-4	H.S.H.BOLT M6X35 WITH WG		2		
079	413264-1	SPRING BASE		1		z
080	232662-8	COMPRESSION SPRING 12		2		pru
081	232664-4	COMPRESSION SPRING 10		1		pru
082	911233-1	šroub M5x20		3		
083	127823-2	TORQUE LIMITER ASSEMBLY		1		prokluzov
083		INC. 84-90				
084	227628-1	SPIRAL BEVEL GEAR 10		1		
085	210256-9	BALL BEARING 6904LLB		1		
086	142410-6	TORQUE LIMITER COMPLETE		1		d
087	324727-1	SHOULDER WASHER 8		1		
088	210005-4	kulič. ložisko 608DDW = old 2110 31-6		1		kuli
089	253215-0	796119		1		

090	961004-6	segrovka S-8		1		segrovka S-8	
091	327729-6	CRANK SHAFT		1		klikov	
092	210255-1	BALL BEARING 6006LLB		1		kuli	
093	254229-2	klínek 5 HR4000C/5001C/LC1230		2		kl	
094	227788-9	HELICAL GEAR 46		1		ozuben	
095	227336-4	SPUR GEAR 26		1		ozuben	
096	961102-6	RETAINING RING S-22		1		krou	
097	253843-1	podložka		1		podlo	
098	424609-8	SEAL RING A		1	*		
098-1	422786-0	SEAL RING A	<	1		t	
099	142409-1	GEAR HOUSING COMPLETE		1			
100	454774-9	SPRING PLATE		2			
101	233497-0	přížina 15 HR5211C/5210C		2		pri	
104	326375-2	COUNTER WEIGHT		2			
105	233497-0	přížina 15 HR5211C/5210C		2		pri	
106	213953-6	o-kroužek 24		4		o-krou	
107	141E52-3	HOLDER COMPLETE		2			
108	213231-4	gufero 15-25-7		1		gufero 15-25-7	
110	211228-7	kulič. ložisko 6202DDW = old 922 117		1			
111	267215-4	podložka BTW/BTD200SH/GA70/90		1		podlo	
112	519652-1	ROTOR ASSY		1	*	ROTOR ASSY	
112		INC. 110,111,113			*		
112-1	519652-1	ROTOR ASSY	O	1	*	ROTOR ASSY	
112-1		INC. 110,111,113			*		
112-2	519652-1	ROTOR ASSY	O	1		ROTOR ASSY	
112-2		INC. 110,111,113					
113	210059-1	BALL BEARING 6000DDW		1			
114	265995-6	šroub 4x18 = old 265941-9		4			
115	413260-9	BAFFLE PLATE		1		deska	
116	629A27-3	STATOR		1		stator	
117	632R89-4	LEAD UNIT		1		ovl	
118	652031-1	PAN HEAD SCREW M3X6		3			
119	620E26-2	CONTROLLER B		1		ovl	
120	687B69-9	STOPPER		1		zar	
121	266490-9	TAPPING SCREW PT 2X6		3			
122	454780-4	GUARD 52		1			
123	266041-8	šroub křížový 5103R = old 93352 6		2			
124	454763-4	GEAR HOUSING COVER		1		kryt p	
125	413256-0	MOTOR HOUSING		1		obal motoru	
126	922359-4	H.S.H.BOLT M6X35 WITH WG		2	*		
126-1	922359-4	H.S.H.BOLT M6X35 WITH WG	O	2			
127	256380-4	SHOULDER PIN 4-6		2			
128	412985-2	BASE		1		z	
129	232643-2	TORSION SPRING 13		1		pru	
130	140W48-9	LEVER COMPLETE		1		p	
131	263046-9	TAPPING SCREW 3X14		2			
132	265995-6	šroub 4x18 = old 265941-9		2			
133	620E28-8	SENSOR CIRCUIT		1			
134	620E29-6	DIAL CIRCUIT		1		elektronika	

135	140X97-2	MOTOR HOUSING COVER COMPLETE	1	kryt motoru cpl.
C10	422660-2	RUBBER SHEET	1	
136	266041-8	šroub křížový 5103R = old 933526	2	
137	266041-8	šroub křížový 5103R = old 933526	4	
138	183S32-7	HOUSING SET	1	obal stroje
C10	263005-3	vymezovací čep 6	8	
C20	347755-9	GUARD RAIL	2	
C30	422646-6	CAP 10	2	
C40	347782-6	PLATE	4	
138		INC. 152		
139	232663-6	COMPRESSION SPRING 8	1	pru
140	620E27-0	LED CIRCUIT	1	LED okruh
141	620E25-4	CONTROLLER	1	ovl
142	620E30-1	ACCELEROMETER CIRCUIT	1	
143	256886-2	ROD 3	2	ty
144	422472-3	SPONGE SLEEVE 3	4	pouzdro 3
145	632R98-3	TERMINAL UNIT	2	vstup
146	688163-8	filtr	1	filtr AH3756 DCU180 DHS630 DHS710 DLM 460 DSS610 DTW190 DUH551 DUH651
147	232152-1	listová pružina	1	listov
148	412953-5	TRIGGER LOCK	1	z
149	458097-7	SWITCH LEVER	1	vyp
150	232418-9	COMPRESSION SPRING 5	1	pru
151	651083-9	SWITCH C3XA-1PSPM	1	vyp
152	183S32-7	HOUSING SET	1	obal stroje
C10	263005-3	vymezovací čep 6	8	
C20	347755-9	GUARD RAIL	2	
C30	422646-6	CAP 10	2	
C40	347782-6	PLATE	4	
152		INC. 138		
153	140F99-0	CAP COMPLETE	1	v
C10	213218-6	o kroužek	1	o krou
C20	818H07-8	CAP LABEL	1	
154	265995-6	šroub 4x18 = old 265941-9	10	
155	8029M5-9	XGT LOGO LABEL	1	
156	811996-8	HR006G SERIAL NO. LABEL	1	
157	811990-0	HR006G NAME PLATE	1	
A01	198993-4	GREASE VESSEL SET	1	
A02	331955-1	DEPTH GAUGE	1	
A03	443122-7	CLOTH	1	
A04	135629-4	SIDE GRIP ASSEMBLY	1	
C10	158131-0	boční rukojeť HR5201C = old 152554-4	1	
C20	234226-4	COMPRESSION SPRING 6	1	
C30	266163-4	šroub	1	
C40	313223-4	RACK GUIDE	1	
C50	344492-6	deska	1	deska
C60	346750-6	GRIP SPRING 90	1	
C70	453114-8	LOCK BUTTON	1	

C80	454781-2	SIDE GRIP BASE 90		1		
A05	135283-4	držadlo cpl. HM1214C		1		
C10	252640-2	matice rukojeti M8		1		matice rukojeti M8
C20	265439-6	šroub M8x150		1		
C30	318430-4	boční držadlo		1		bo
C40	318431-2	boční držadlo		1		bo
C50	417002-3	aretace rukojeti		2		aretace rukojeti HR45 11C HR5202C HR521 2C
C60	417003-1	madlo rukojeti HM1202C= old 41 6009-6		1		madlo rukojeti HM12 02C= old 416009-6
C70	951166-8	čep objímky HM1202C		1		
A06	821848-5	PLASTIC CASE		1		
A07	8030B5-1	HR006GZ PLASTIC CASE LABEL		2		
B01	191N79-7	HAMMER SERVICE KIT		1		
C10	181490-7	mazivo 30g		4	*	
C11	1914C5-7	GREASE SET	O	4		
B01		INC. 1,2,8,29,30,38,54				
F08	199143-4	DUST EXTRACTOR ATT SET(EU)		1		
F09	199144-2	DUST EXTRACTOR ATT SET(EU)		1		
G12	1914X3-8	DUST EXTRACTION PAD SET		1		

Prosím uveďte objednáací číslo dílu v objednávce

Datum tisku 25. 10. 2024