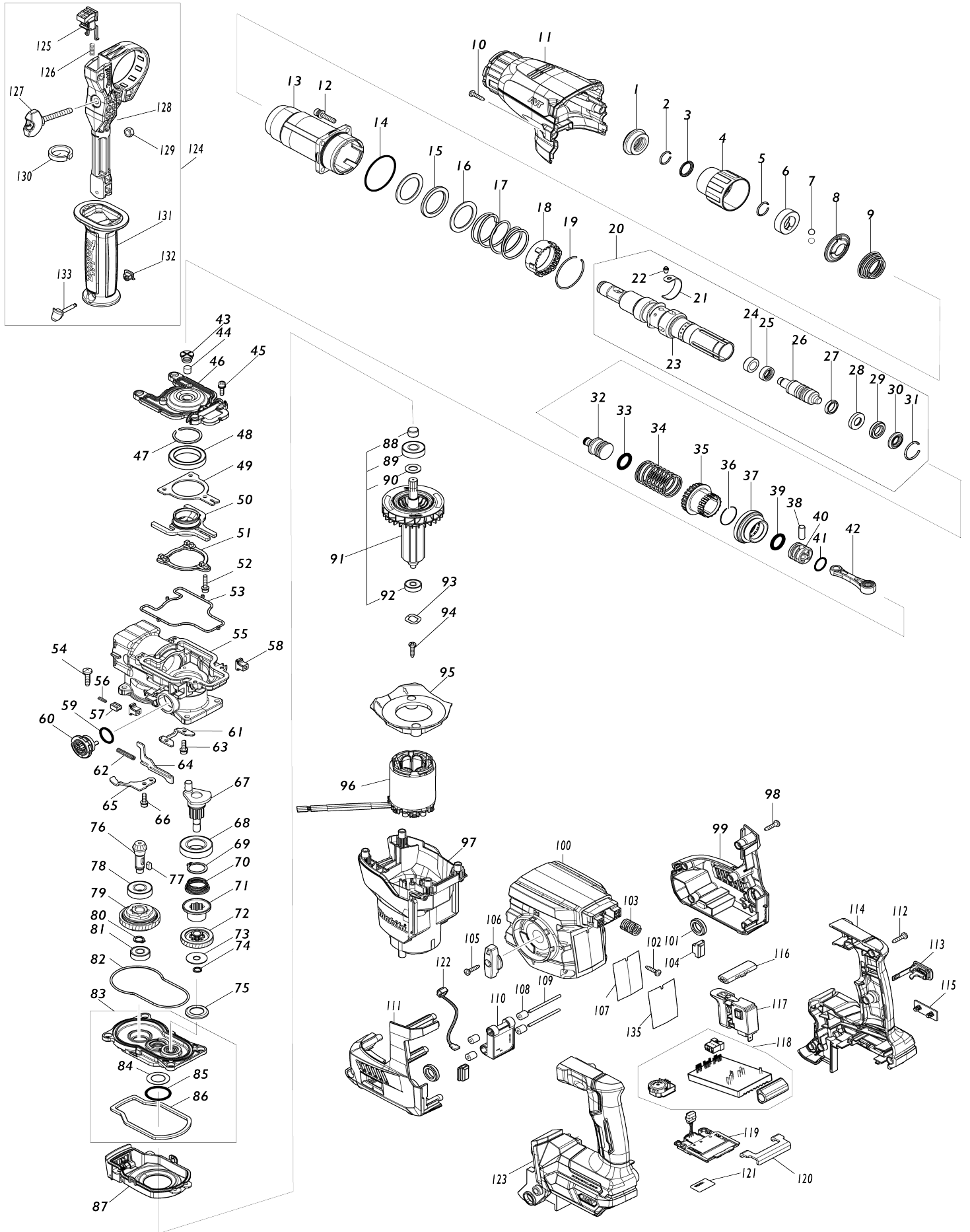


# Model No.HR008G 30MM CRDLS COMBINATION HAMMER



**Model No.HR008G 30MM CRDLS COMBINATION HAMMER**

| Obj. č. | Obj. č.  | Popis                      | Možn<br>ost zá<br>měny | Množ<br>ství | Nový/<br>Stary | Poznámka 1              | Poznámka 2 |
|---------|----------|----------------------------|------------------------|--------------|----------------|-------------------------|------------|
| 001     | 286288-8 | prachovka                  |                        | 1            |                | prachovka               |            |
| 002     | 233989-9 | kroužek                    |                        | 1            |                | krou                    |            |
| 003     | 346834-0 | WASHER 16                  |                        | 1            |                | podlo                   |            |
| 004     | 459685-3 | CHUCK COVER                |                        | 1            |                | kryt                    |            |
| 005     | 233992-0 | segrovka                   |                        | 1            |                | segrovka HR2300         |            |
| 006     | 327269-4 | RING 17                    |                        | 1            |                | krou                    |            |
| 007     | 216022-2 | kulička = old 183013       |                        | 2            |                | kuli                    |            |
| 008     | 347944-6 | GUIDE WASHER               |                        | 1            |                | veden                   |            |
| 009     | 232503-8 | CONICAL COMP. SPRING 21-34 |                        | 1            |                | pru                     |            |
| 010     | 266326-2 | šroub 4x18=new265995-6     |                        | 2            |                |                         |            |
| 011     | 459167-5 | BARREL COVER               |                        | 1            |                | v                       |            |
| 012     | 266793-1 | HEX. S.H.B. M5X25 WITH WR  |                        | 4            |                |                         |            |
| 013     | 140J35-0 | BARREL COMPLETE            |                        | 1            |                | v                       |            |
| C10     | 213636-8 | OIL SEAL 25                |                        | 1            |                | gufero HR2611FT         |            |
| 014     | 213620-3 | o-kroužek 5704R            |                        | 1            |                | o-krou                  |            |
| 015     | 422493-5 | RUBBER RING 31             |                        | 1            |                | krou                    |            |
| 016     | 267354-0 | FLAT WASHER 31             |                        | 2            |                | podlo                   |            |
| 017     | 232496-9 | COMPRESSION SPRING 37      |                        | 1            |                | pru                     |            |
| 018     | 419986-1 | ozubené kolo               |                        | 1            |                | ozuben                  |            |
| 019     | 233952-2 | kroužek                    |                        | 1            |                | krou                    |            |
| 020     | 136312-6 | TOOL HOLDER ASS'Y          |                        | 1            |                | dr                      |            |
| 020     |          | INC. 21-31                 |                        |              |                |                         |            |
| 021     | 347501-0 | LEAF SPRING                |                        | 1            |                | pru                     |            |
| 022     | 256598-7 | SHOULDER PIN 4             |                        | 1            |                |                         |            |
| 023     | 327277-5 | TOOL HOLDER                |                        | 1            |                |                         |            |
| 024     | 327515-5 | SLEEVE 11                  |                        | 1            |                | krou                    |            |
| 025     | 327516-3 | RING 11                    |                        | 1            |                | krou                    |            |
| 026     | 140S89-1 | IMPACT BOLT A COMPLETE     |                        | 1            |                |                         |            |
| 027     | 213880-7 | SEAL RING 12               |                        | 1            |                | krou                    |            |
| 028     | 327268-6 | RING 11                    |                        | 1            |                | krou                    |            |
| 029     | 424267-0 | kroužek                    |                        | 1            |                | krou                    |            |
| 030     | 327271-7 | WASHER 11                  |                        | 1            |                | podlo                   |            |
| 031     | 231987-7 | pojistný kroužek 21        |                        | 1            |                | pojistn                 |            |
| 032     | 327266-0 | STRIKER                    |                        | 1            |                |                         |            |
| 033     | 213881-5 | O RING 16                  |                        | 1            |                | krou                    |            |
| 034     | 232497-7 | COMPRESSION SPRING 27      |                        | 1            |                | pru                     |            |
| 035     | 327276-7 | DRIVING SLEEVE             |                        | 1            |                | veden                   |            |
| 036     | 232501-2 | RING SPRING 24             |                        | 1            |                | krou                    |            |
| 037     | 226868-8 | SPIRAL BEVEL GEAR 31       |                        | 1            |                | pru                     |            |
| 038     | 268122-4 | PIN 7                      |                        | 1            |                |                         |            |
| 039     | 213881-5 | O RING 16                  |                        | 1            |                | krou                    |            |
| 040     | 319807-6 | PISTON                     |                        | 1            |                | p                       |            |
| 041     | 213226-7 | kroužek 16 BHR240RFE       |                        | 1            |                | krou                    |            |
| 042     | 140J36-8 | CONNECTING ROD COMPLETE    |                        | 1            |                | ty                      |            |
| 043     | 459180-3 | FILTER CAP                 |                        | 1            |                | v                       |            |
| 044     | 443153-6 | FELT                       |                        | 1            |                | pls                     |            |
| 045     | 922123-3 | imbus M4x14 DCS230T        |                        | 4            |                | imbus M4x14 DCS23<br>0T |            |

|     |          |  |  |   |                                  |  |
|-----|----------|--|--|---|----------------------------------|--|
| 046 | 319802-6 | CRANK CAP                                |  | 1 | v                                |  |
| 047 | 961140-8 | kroužek HR2800                           |  | 1 | krou                             |  |
| 048 | 211423-9 | BALL BEARING 6806DDW                     |  | 1 | lo                               |  |
| 049 | 347500-2 | BEARING RETAINER B                       |  | 1 | vymezova                         |  |
| 050 | 140J31-8 | COUNTER WEIGHT COMPLETE                  |  | 1 | v                                |  |
| 051 | 310927-9 | WEIGHT RETAINER                          |  | 1 | vymezen                          |  |
| 052 | 266948-8 | HEX S. H. BOLT M4X20 WITH WR             |  | 3 |                                  |  |
| 053 | 459182-9 | SEAL RING B                              |  | 1 | krou                             |  |
| 054 | 266021-4 | šroub Pt 5x20                            |  | 4 |                                  |  |
| 055 | 140J33-4 | CRANK HOUSING COMPLETE                   |  | 1 | obal klikovky                    |  |
| 056 | 232499-3 | COMPRESSION SPRING 2                     |  | 1 | pru                              |  |
| 057 | 310929-5 | PUSH CORN                                |  | 1 | tla                              |  |
| 058 | 455165-7 | FIX GUIDE                                |  | 2 | doraz veden                      |  |
| 059 | 213262-3 | o-kroužek 18                             |  | 1 | o-krou                           |  |
| 060 | 459175-6 | LINK LEVER                               |  | 1 | p                                |  |
| 061 | 347497-5 | BEARING RETAINER A                       |  | 1 | vymezen                          |  |
| 062 | 234019-9 | pružina                                  |  | 1 | pru                              |  |
| 063 | 922123-3 | imbus M4x14 DCS230T                      |  | 2 | imbus M4x14 DCS23<br>0T          |  |
| 064 | 345814-3 | táhlo přepínání                          |  | 1 | t                                |  |
| 065 | 347498-3 | GUIDE PLATE                              |  | 1 | veden                            |  |
| 066 | 922123-3 | imbus M4x14 DCS230T                      |  | 1 | imbus M4x14 DCS23<br>0T          |  |
| 067 | 140M22-7 | CRANK SHAFT COMPLETE                     |  | 1 | h                                |  |
| 068 | 211323-3 | kuličkové ložisko 6904LLU                |  | 1 | kuli                             |  |
| 069 | 961060-6 | segrovka vnější S-20                     |  | 1 | segrovka vn                      |  |
| 070 | 232498-5 | CONICAL COMP. SPRING 21-26               |  | 1 | pru                              |  |
| 071 | 327273-3 | CLUTCH                                   |  | 1 | spojka                           |  |
| 072 | 226869-6 | HELICAL GEAR 31                          |  | 1 | ozuben                           |  |
| 073 | 267353-2 | podložka 8 HR2800                        |  | 1 | podlo                            |  |
| 074 | 961034-7 | zajišťovací kroužek HR2810T              |  | 1 | zaji                             |  |
| 075 | 345818-5 | podložka 16 HR2800                       |  | 1 | podlo                            |  |
| 076 | 226867-0 | SPIRAL BEVEL GEAR 8                      |  | 1 | ozuben                           |  |
| 077 | 254239-9 | key 4                                    |  | 1 | key 4                            |  |
| 078 | 211131-2 | kuličkové ložisko 6001DDW =old<br>922041 |  | 1 | lo                               |  |
| 079 | 125386-2 | omezovač otáček HR2800                   |  | 1 | omezova                          |  |
| 080 | 961006-2 | segrovka S-10                            |  | 1 | segrovka S-10= old. 2<br>57408-1 |  |
| 081 | 210005-4 | kulič. ložisko 608DDW = old 2110<br>31-6 |  | 1 | kuli                             |  |
| 082 | 459181-1 | SEAL RING A                              |  | 1 | t                                |  |
| 083 | 136330-4 | GEAR HOUSING ASS'Y                       |  | 1 | p                                |  |
| 083 |          | INC. 84-86                               |  |   |                                  |  |
| 084 | 253749-3 | podložka 16 LC1230 / 2106                |  | 1 | podlo                            |  |
| 085 | 213445-5 | o-kroužek 26                             |  | 1 |                                  |  |
| 086 | 459183-7 | SPONGE SHEET                             |  | 1 |                                  |  |
| 087 | 140J32-6 | AIR DUCT COMPLETE                        |  | 1 | veden                            |  |
| 088 | 331775-3 | pouzdro 10 HR2800                        |  | 1 | pouzdro 10 HR2800                |  |
| 089 | 211097-6 | Ball bearing 6000LLB                     |  | 1 | lo                               |  |
| 090 | 253828-7 | podložka 10                              |  | 1 | podlo                            |  |
| 091 | 519722-6 | ROTOR ASS'Y                              |  | 1 | rotor                            |  |
| 091 |          | INC. 88-90,92                            |  |   |                                  |  |

|     |          |                            |  |   |  |                          |
|-----|----------|----------------------------|--|---|--|--------------------------|
| 092 | 210022-4 | kuličkové ložisko 626 DDW  |  | 1 |  |                          |
| 093 | 253555-6 | WAVE WASHER 12             |  | 1 |  | podlo                    |
| 094 | 266326-2 | šroub 4x18=new265995-6     |  | 2 |  |                          |
| 095 | 413F13-2 | BAFFLE PLATE               |  | 1 |  | deska                    |
| 096 | 629A96-4 | STATOR                     |  | 1 |  | stator                   |
| 097 | 141H81-4 | MOTOR HOUSING COMPLETE     |  | 1 |  | obal motoru              |
| C10 | 263027-3 | gumový čep HM0860C/HR4010C |  | 1 |  | gumov                    |
| 098 | 266326-2 | šroub 4x18=new265995-6     |  | 5 |  |                          |
| 099 | 183V77-3 | HOUSING SET                |  | 1 |  | obal stroje              |
| 099 |          | INC. 111                   |  |   |  |                          |
| 100 | 413F12-4 | HANDLE BASE                |  | 1 |  | d                        |
| 101 | 459184-5 | CUSHION RING 12            |  | 2 |  | krou                     |
| 102 | 266326-2 | šroub 4x18=new265995-6     |  | 4 |  |                          |
| 103 | 232500-4 | COMPRESSION SPRING 10      |  | 1 |  | pru                      |
| 104 | 422863-8 | BATTERY CUSHION            |  | 2 |  | podlo                    |
| 105 | 266326-2 | šroub 4x18=new265995-6     |  | 1 |  |                          |
| 106 | 459174-8 | CHANGE LEVER               |  | 1 |  | p                        |
| 107 | 8119V9-3 | HR008G NAME PLATE          |  | 1 |  |                          |
| 108 | 422472-3 | SPONGE SLEEVE 3            |  | 4 |  | pouzdro 3                |
| 109 | 256886-2 | ROD 3                      |  | 2 |  | ty                       |
| 110 | 620J19-9 | ACCELEROMETER CIRCUIT      |  | 1 |  | okruh                    |
| 111 | 183V77-3 | HOUSING SET                |  | 1 |  | obal stroje              |
| 111 |          | INC. 99                    |  |   |  |                          |
| 112 | 266326-2 | šroub 4x18=new265995-6     |  | 6 |  |                          |
| 113 | 140G30-2 | CAP COMPLETE               |  | 1 |  | v                        |
| C10 | 213A05-9 | O-RING16                   |  | 1 |  | o krou                   |
| 114 | 183V96-9 | HANDLE SET                 |  | 1 |  | d                        |
| C10 | 263005-3 | vymezovací čep 6           |  | 2 |  |                          |
| C20 | 8005T5-8 | XGT LOGO LABEL             |  | 1 |  |                          |
| 114 |          | INC. 123                   |  |   |  |                          |
| 115 | 459753-2 | CAP                        |  | 1 |  | v                        |
| 116 | 453124-5 | F/R CHANGE LEVER           |  | 1 |  | p                        |
| 117 | 651439-6 | SWITCH C3JR-4B-2           |  | 1 |  | vyp                      |
| 118 | 620J18-1 | CONTROLLER                 |  | 1 |  | ovl                      |
| 119 | 632P65-6 | TERMINAL UNIT              |  | 1 |  | termin                   |
| 120 | 347885-6 | SUPPORT PLATE              |  | 1 |  | deska                    |
| 121 | 8119W3-2 | HR008G SERIAL NO. LABEL    |  | 1 |  |                          |
| 122 | 620G34-5 | LED CIRCUIT                |  | 1 |  | okruh                    |
| 123 | 183V96-9 | HANDLE SET                 |  | 1 |  | d                        |
| C10 | 263005-3 | vymezovací čep 6           |  | 2 |  |                          |
| C20 | 8005T5-8 | XGT LOGO LABEL             |  | 1 |  |                          |
| 123 |          | INC. 114                   |  |   |  |                          |
| 124 | 126882-3 | GRIP ASSEMBLY              |  | 1 |  | dr                       |
| 124 |          | INC. 125-133               |  |   |  |                          |
| 125 | 144959-2 | LOCK BUTTON COMPLETE       |  | 1 |  |                          |
| 126 | 233360-7 | COMPRESSION SPRING 4       |  | 1 |  | pru                      |
| 127 | 265625-9 | THUMB SCREW M6X50          |  | 1 |  |                          |
| 128 | 458355-1 | SIDE HANDLE BASE           |  | 1 |  |                          |
| 129 | 931302-2 | matka M6                   |  | 1 |  | matka M6=new25227<br>3-3 |
| 130 | 422258-5 | SPONGE SHEET               |  | 1 |  |                          |
| 131 | 458357-7 | GRIP 36                    |  | 1 |  |                          |

|       |           |                                |   |   |   |  |
|-------|-----------|--------------------------------|---|---|---|--|
| 132   | 422255-1  | CAP                            |   | 1 |   |  |
| 133   | 161838-9  | FIX PIN                        |   | 1 |   |  |
| 135   | 8052T1-3  | CLEAR LABEL                    |   | 1 | * |  |
| A01   | 331886-4  | DEPTH GAUGE                    |   | 1 |   |  |
| A02   | 198993-4  | GREASE VESSEL SET              |   | 1 |   |  |
| A03   | 443122-7  | CLOTH                          |   | 1 |   |  |
| A04   | 821875-2  | PLASTIC CASE                   |   | 1 |   |  |
| C10   | 162271-8  | přezka kufru                   |   | 2 |   |  |
| A09   | 198900-7  | WIRELESS UNIT SET              |   | 1 | * |  |
| A09-1 | 198900-7  | WIRELESS UNIT SET              | O | 1 | * |  |
| A09-2 | 198900-7  | WIRELESS UNIT SET              | < | 1 |   |  |
| A10   | ***DC40RA | DC40RA FAST CHARGER            |   | 1 |   |  |
| A10   |           | COMPO-PARTS                    |   |   |   |  |
| A11   | 412393-7  | BATTERY COVER                  |   | 1 |   |  |
| A12   | 191B26-6  | BATTERY BL4040 SET             |   | 2 |   |  |
| B01   | 1910R8-2  | HAMMER SERVICE KIT             |   | 1 |   |  |
| C10   | 181490-7  | mazivo 30g                     |   | 2 | * |  |
| C11   | 1914C5-7  | GREASE SET                     | O | 2 |   |  |
| B01   |           | INC. 1,2,5,7,22,26,27,29,31,   |   |   |   |  |
| B01   |           | INC. 33,36,39                  |   |   |   |  |
| F06   | 191F49-8  | DUST CASE SET                  |   | 1 |   |  |
| F09   | 191F95-1  | DX10DUST COLLECTION SYSTEM SET |   | 1 |   |  |
| F11   | 191L91-5  | SPACER SET                     |   | 1 |   |  |
| F12   | 191W90-3  | HOOK SET                       |   | 1 |   |  |
| F24   | 199557-7  | FILTER SET                     |   | 1 |   |  |
| G12   | 1914X3-8  | DUST EXTRACTION PAD SET        |   | 1 |   |  |

Prosím uveďte objednáací číslo dílu v objednávce

Datum tisku 25. 10. 2024