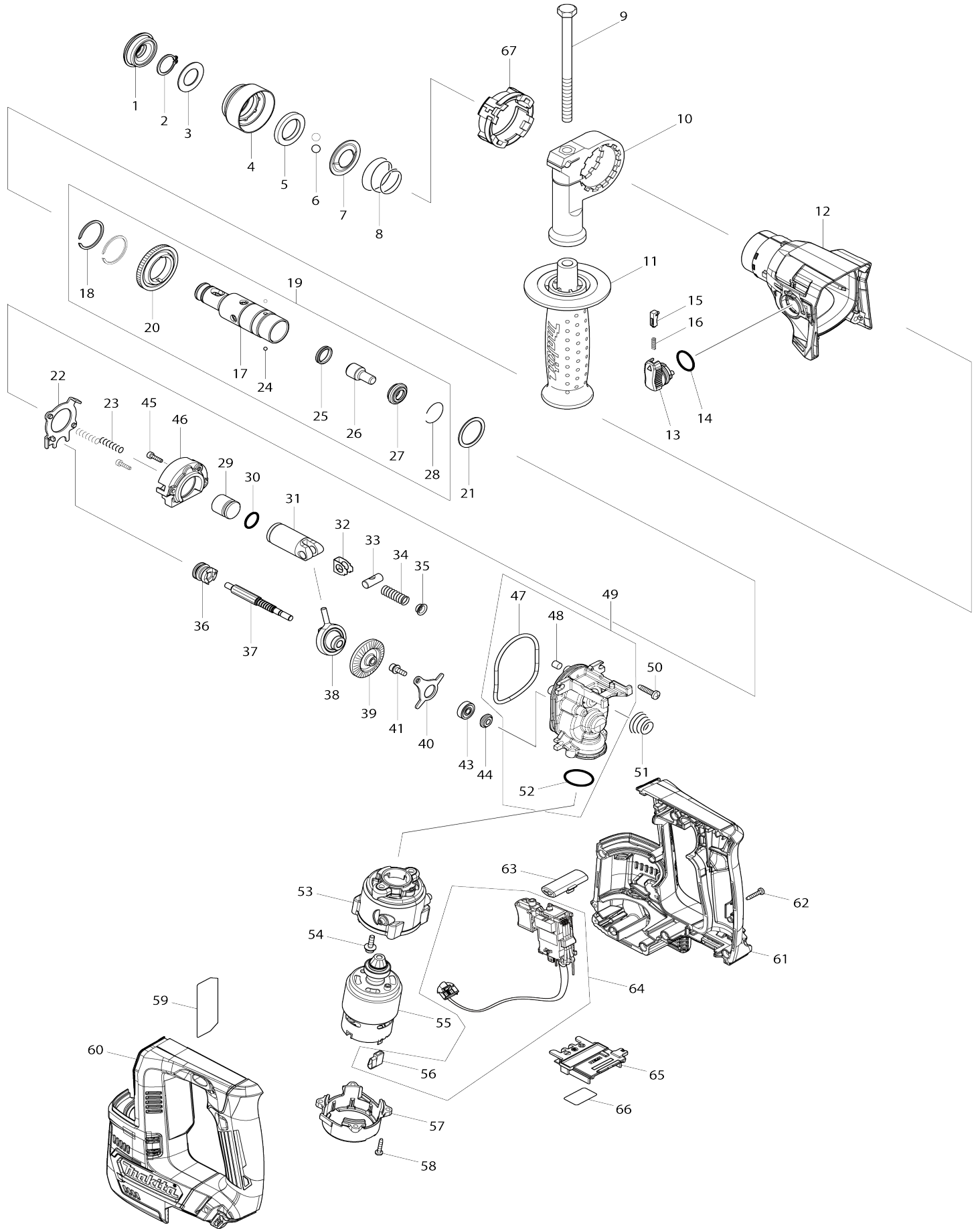


Model No.HR140D 14MM CORDLESS ROTARY HAMMER



Model No.HR140D 14MM CORDLESS ROTARY HAMMER

Obj. č.	Obj. č.	Popis	Možn ost zá měny	Množ ství	Nový/ Starý	Poznámka 1	Poznámka 2
001	286037-3	CAP 34		1		v	
002	961057-5	segrovka vnější S-17		1		segrovka vn	
003	253377-4	FLAT WASHER 17		1		podlo	
004	457214-6	CHUCK COVER		1		kryt	
005	257416-2	RING 21		1		krou	
006	216022-2	kulička = old 183013		2		kuli	
007	346177-0	podložka		1		podlo	
008	232347-6	CONICAL COMP. SPRING 21-29		1		pru	
009	921923-8	šroub M8x120=old921919-9=ols 265580-5		1			
010	417911-6	GRIP BASE		1			
011	158057-6	rukojeť 36 HR2230/2460		1			
C10	931402-8	matka M8 = old 481003		1			
012	144575-0	GEAR HOUSING COMPLETE		1		obal	
C10	211375-4	Kugellager		1		Kugellager	
C20	213788-5	OIL SEAL 25		1			
013	161569-0	CHANGE LEVER COMPLETE		1		p	
014	213278-8	o-kroužek 17		1		o-krou	
015	161568-2	LOCK BUTTON COMPLETE		1		knofl	
016	232344-2	COMPRESSION SPRING 3		1		p	
017	326841-9	TOOL HOLDER		1	*	dr	
017-1	326841-9	TOOL HOLDER	O	1		dr	
018	961135-1	segrovka		2			
019	135933-1	TOOL HOLDER ASS'Y		1			
019		INC. 17,18,20,21,24-28			*		
019		INC. 17,18,20,24-28					
020	221483-3	SPUR GEAR 57		1		ozuben	
021	267175-0	podložka 6914D		1		podlo	
022	161570-5	CHANGE PLATE COMPLETE		1		deska	
023	233194-8	Druckfeder 4		2		pru	
024	216019-1	kulička pr.3mm		2		kuli	
025	213183-9	kroužek 13 HR1830		1		krou	
026	326843-5	IMPACT BOLT		1			
027	326842-7	RING 10		1		krou	
028	232343-4	RING SPRING 23		1		p	
029	326995-2	STRIKER		1			
030	213128-7	o-kroužek HR2020		1		o-krou	
031	319510-9	PISTON CYLINDER		1		v	
032	347101-6	GUIDE PLATE		1		deska	
033	326846-9	PISTON JOINT		1		p	
034	232346-8	COMPRESSION SPRING 8		1		pru	
035	347102-4	SPRING GUIDE		1		veden	
036	326845-1	CLUTCH CAM		1		spojka DHR171 HR14 0D HR166D	
037	221482-5	SPUR GEAR 8		1		ozuben	
038	219026-3	SWASH BEARING 6		1	*	lo	
038-1	219031-0	SWASH BEARING 6	O	1			
039	221553-8	SPIRAL BEVEL GEAR 37		1			
040	347100-8	BEARING RETAINER		1		kryt lo	

041	266273-7	šroub M4x12		1		
043	210065-6	BALL BEARING 625ZZ		1		lo
044	326847-7	RING 5		1		krou
045	265910-0	HEX. SOCKET HEAD BOLT M3X12		2		
046	144219-2	INNER SUPPORT COMPLETE		1		podp
047	213092-2	O-RING 60		1	*	krou
047-1	213889-9	O-RING 58	<	1		
048	443138-2	filtr HR3200C/10C/10FCT/3540		1		filtr HR3200C/10C/10 FCT/3540
049	135926-8	INNER HOUSING ASSEMBLY		1	*	
049		INC. 47,48,52			*	
049-1	136111-6	INNER HOUSING ASSY	<	1	*	
049-1		INC. 47,48,52			*	
049-2	137061-8	INNER HOUSING ASS'Y	<	1		
049-2		INC. 47,48,52				
050	265995-6	šroub 4x18 = old 265941-9		4		
051	232345-0	CONICAL COMP. SPRING 8-19		1		pru
052	213008-7	o-kroužek 22.4		1		o-krou
053	457784-5	MOTOR CASE A		1		
054	251565-7	H. S. HEAD BOLT M4X14		2		
055	629285-5	DC MOTOR		1		motor HR140D
C10	213162-7	O RING 14		1		
056	686039-3	RECEPTACLE SLEEVE		1		
057	457785-3	MOTOR CASE B		1		
058	266130-9	šroub PT 3X		4		
059	853R39-8	HR140D NAME PLATE		1	*	
059-1	853R23-3	HR140D NAME PLATE	<	1		
060	183H16-9	HOUSING SET		1		
C10	252126-6	HEX. LOCK NUT M4-7		2		matka
C20	262182-8	RUBBER RING 6		2		
C30	263002-9	vymezovací čep 4		2		
060		INC. 61				
061	183H16-9	HOUSING SET		1		
C10	252126-6	HEX. LOCK NUT M4-7		2		matka
C20	262182-8	RUBBER RING 6		2		
C30	263002-9	vymezovací čep 4		2		
061		INC. 60				
062	266130-9	šroub PT 3X		9		
063	457786-1	F/R CHANGE LEVER		1		
064	539236-9	SWITCH UNIT ASS'Y		1		vyp
C10	654086-2	RECEPTACLE		2		
C20	654199-9	RECEPTACLE		1		
064		INC. 56				
065	644813-5	TERMINAL		1		terminal
066	853R45-3	HR140D SERIAL NO. LABEL		1		
A01	415486-9	hloubkový doraz		1		
A03	821550-0	systemer Makpac 395x295x157 mm		1		
C10	453974-8	LATCH		4		spona Makpacu
A04	813R57-8	HR140DSMJ PLASTIC CASE LABEL		2		
A05	813R56-0	HR140DSMJ INDICATION LABEL		1	*	
A05-1	813R55-2	HR140DSMJ INDICATION LABEL	<	1		

A06	839245-1	INNER TRAY		1		
A07	456128-6	BATTERY COVER		1		
A08	***DC10SA	DC10SA BATTERY CHARGER		1	*	
A08-1	***DC10SB	DC10SB BATTERY CHARGER	<	1		
A09	197402-0	BATTERY BL1040B SET		2	*	
A09-1	197406-2	BATTERY BL1041B SET	<	2	*	
A09-2	197406-2	BATTERY BL1041B SET	O	2		
B01	198564-7	HAMMER SERVICE KIT		1		
C10	195127-0	OIL VESSEL SET		1		
B01		INC. 1,2,6,25,28,30				
E01	818S14-7	CLEAR LABEL		1	*	
F06	197444-4	BATTERY BL1020B SET(2PIECES)		1	*	
F08	197530-1	BATTERY BL1015 SET(2PIECES)		1	*	
F16	198968-3	BATTERY BL1016 SET		1	*	
F17	198969-1	BATTERY BL1016 SET (2PIECES)		1	*	
F18-1	198970-6	BATTERY BL1021B SET (2PIECES)	O	1	*	
F19-1	199002-2	BATTERY BL1041B SET (2PIECES)	O	1	*	
F21	199245-6	DUSTCUP SET		1		
G12	1914X3-8	DUST EXTRACTION PAD SET		1		

Prosím uveďte objednáací číslo dílu v objednávce

Datum tisku 25. 10. 2024