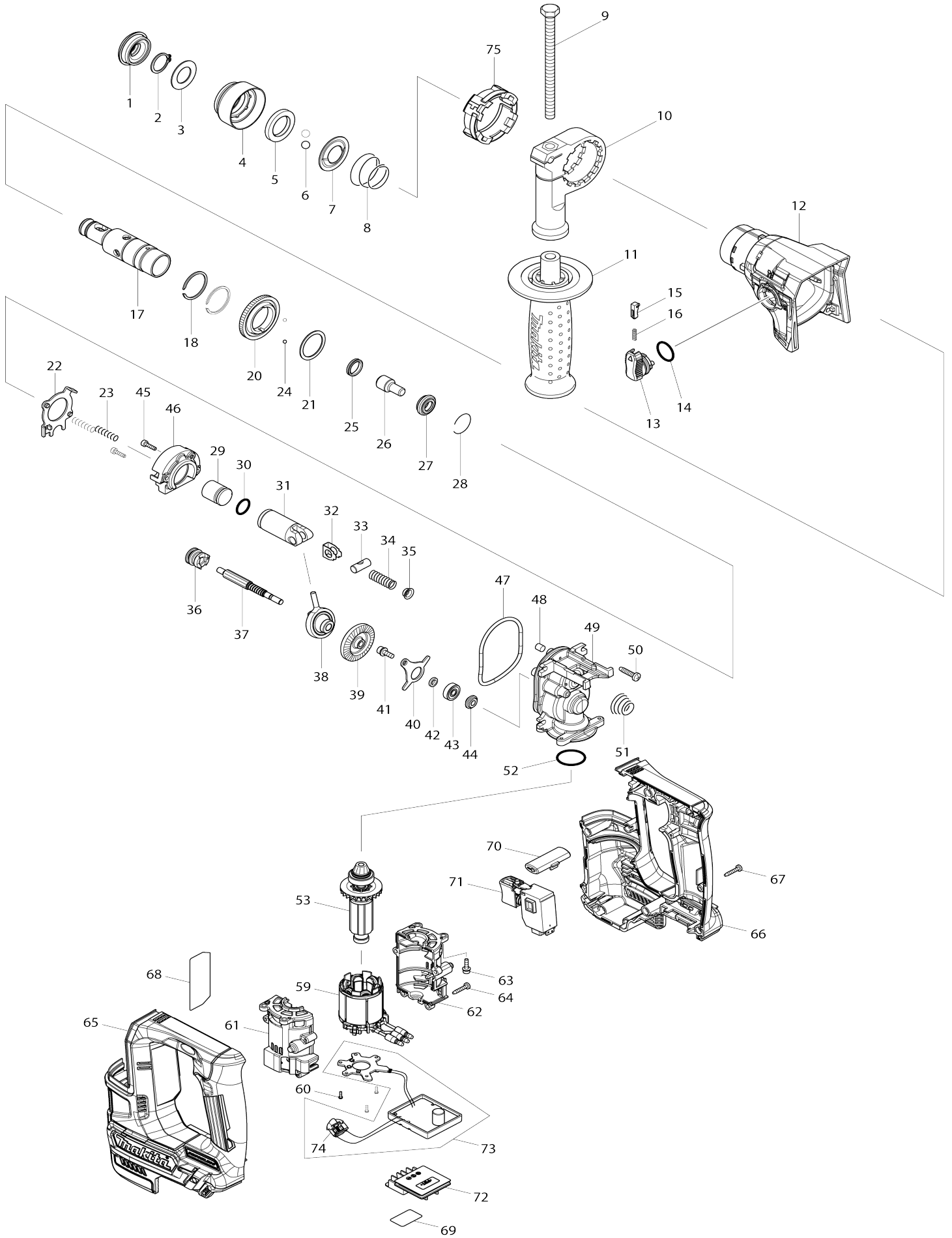


Model No.HR166D 16MM CORDLESS ROTARY HAMMER



Model No.HR166D 16MM CORDLESS ROTARY HAMMER

Obj. č.	Obj. č.	Popis	Možn ost zá měny	Množ ství	Nový/ Starý	Poznámka 1	Poznámka 2
001	286037-3	CAP 34		1		v	
002	961057-5	segrovka vnější S-17		1		segrovka vn	
003	253377-4	FLAT WASHER 17		1		podlo	
004	457214-6	CHUCK COVER		1		kryt	
005	257416-2	RING 21		1		krou	
006	216022-2	kulička = old 183013		2		kuli	
007	346177-0	podložka		1		podlo	
008	232347-6	CONICAL COMP. SPRING 21-29		1		pru	
009	921923-8	šroub M8x120=old921919-9=ols 265580-5		1			
010	417911-6	GRIP BASE		1			
011	158057-6	rukojeť 36 HR2230/2460		1			
012	144218-4	GEAR HOUSING COMPLETE		1		obal p	
C10	211375-4	Kugellager		1	*	Kugellager	
C11	210329-8	BALL BEARING 6805LLB	O	1			
C20	213788-5	OIL SEAL 25		1			
013	161569-0	CHANGE LEVER COMPLETE		1		p	
014	213278-8	o-kroužek 17		1		o-krou	
015	161568-2	LOCK BUTTON COMPLETE		1		knofl	
016	232344-2	COMPRESSION SPRING 3		1		p	
017	326841-9	TOOL HOLDER		1	*	dr	
017-1	326841-9	TOOL HOLDER	O	1		dr	
018	961135-1	segrovka		2			
020	221483-3	SPUR GEAR 57		1		ozuben	
021	267175-0	podložka 6914D		1		podlo	
022	161570-5	CHANGE PLATE COMPLETE		1		deska	
023	233194-8	Druckfeder 4		2		pru	
024	216019-1	kulička pr.3mm		2		kuli	
025	213183-9	kroužek 13 HR1830		1		krou	
026	326843-5	IMPACT BOLT		1			
027	326842-7	RING 10		1		krou	
028	232343-4	RING SPRING 23		1		p	
029	326844-3	STRIKER		1		tlouk	
030	213128-7	o-kroužek HR2020		1		o-krou	
031	319510-9	PISTON CYLINDER		1		v	
032	347101-6	GUIDE PLATE		1		deska	
033	326846-9	PISTON JOINT		1		p	
034	232346-8	COMPRESSION SPRING 8		1		pru	
035	347102-4	SPRING GUIDE		1		veden	
036	326845-1	CLUTCH CAM		1		spojka DHR171 HR14 0D HR166D	
037	221482-5	SPUR GEAR 8		1		ozuben	
038	219026-3	SWASH BEARING 6		1		lo	
039	221481-7	SPIRAL BEVEL GEAR 37		1		ozuben	
040	347100-8	BEARING RETAINER		1		kryt lo	
041	266273-7	šroub M4x12		1			
042	257415-4	RING 5		1		krou	
043	210065-6	BALL BEARING 625ZZ		1	*	lo	
043-1	210327-2	BALL BEARING 625ZZ	O	1			

044	326847-7	RING 5		1		krou	
045	265910-0	HEX. SOCKET HEAD BOLT M3X12		2			
046	144219-2	INNER SUPPORT COMPLETE		1		podp	
047	213092-2	O-RING 60		1	*	krou	
047-1	213889-9	O-RING 58	<	1			
048	443138-2	filtr HR3200C/10C/10FCT/3540		1		filtr HR3200C/10C/10 FCT/3540	
049	319508-6	INNER HOUSING		1	*	sk	
049-1	140N37-0	INNER HOUSING COMPLETE	<	1	*		
049-2	312B69-7	INNER HOUSING	<	1		sk	
050	265995-6	šroub 4x18 = old 265941-9		4			
051	232345-0	CONICAL COMP. SPRING 8-19		1		pru	
052	213008-7	o-kroužek 22.4		1		o-krou	
053	619421-1	ROTOR		1	*	rotor DHR171 HR166	
053-1	619421-1	ROTOR	O	1		rotor DHR171 HR166	
059	629244-9	STATOR		1		stator	
060	266490-9	TAPPING SCREW PT 2X6		3			
061	183G09-0	MOTOR CASE SET		1		obal motoru	
061		INC. 62					
062	183G09-0	MOTOR CASE SET		1		obal motoru	
062		INC. 61					
063	251510-2	H. S. HEAD BOLT M3X12 WITH W RM		4			
064	266130-9	šroub PT 3X		4			
065	183G15-5	HOUSING SET		1		obal	
C10	262182-8	RUBBER RING 6		2			
C20	263002-9	vymezovací čep 4		2			
C30	252126-6	HEX. LOCK NUT M4-7		2		matka	
065		INC. 66					
066	183G15-5	HOUSING SET		1		obal	
C10	262182-8	RUBBER RING 6		2			
C20	263002-9	vymezovací čep 4		2			
C30	252126-6	HEX. LOCK NUT M4-7		2		matka	
066		INC. 65					
067	266130-9	šroub PT 3X		9			
068	853A89-1	HR166D NAME PLATE		1	*		
068-1	853A74-4	HR166D NAME PLATE	<	1			
069	853A95-6	HR166D SERIAL NO. LABEL		1			
070	457210-4	F/R CHANGE LEVER		1		p	
071	650689-0	vypínač		1		vyp	
072	644813-5	TERMINAL		1		terminal	
073	620578-3	CONTROLLER		1		ovl	
073		INC. 74					
074	620553-9	LED CIRCUIT		1			
A01	415486-9	hloubkový doraz		1			
A02	456128-6	BATTERY COVER		1			
A03	***DC10WC	DC10WC BATTERY CHARGER		1	*		
A03		COMPO-PARTS			*		
A03	***DC10SA	DC10SA BATTERY CHARGER		1	*		
A03-1	***DC10WD	DC10WD BATTERY CHARGER	<	1			
A03-1		COMPO-PARTS					
A03-1	***DC10SB	DC10SB BATTERY CHARGER	<	1			

A04	197402-0	BATTERY BL1040B SET		2	*		
A04	197394-3	BATTERY BL1020B SET		2	*		
A04-1	197406-2	BATTERY BL1041B SET	<	2	*		
A04-1	197396-9	BATTERY BL1021B SET	<	2	*		
A04-2	197406-2	BATTERY BL1041B SET	O	2			
A04-2	197396-9	BATTERY BL1021B SET	O	2			
A05	821550-0	systainer Makpac 395x295x157 mm		1			
C10	453974-8	LATCH		4		spona Makpacu	
A05	821736-6	PLASTIC CASE		1	*		
C10	455522-9	SLIDE LATCH		2	*		
A05-1	183H61-4	PLASTIC CASE SET	S	1			
C10	455522-9	SLIDE LATCH		2			
A06	838683-4	INNER FITMENT		1	*		
A06-1	839245-1	INNER TRAY	S	1			
A07	812K71-9	HR166DWMJ INDICATION LABEL		1	*		
A07	812K54-9	HR166DSMJ INDICATION LABEL		1	*		
A07-1	812K70-1	HR166DWMJ INDICATION LABEL	<	1			
A07-1	812K53-1	HR166DSMJ INDICATION LABEL	<	1			
A08	812K72-7	HR166DWMJ PLASTIC CASE LABEL		2			
A08	812K55-7	HR166DSMJ PLASTIC CASE LABEL		2			
A09	835121-7	SPONGE 60-80	S	1	*		
A10	443122-7	CLOTH		1			
A11	B-57043	65PCS BIT SET		1	*		
A12	181573-3	GREASE VESSEL 93G		1	*		
A12-1	1914C6-5	GREASE SET	O	1			
B01	198564-7	HAMMER SERVICE KIT		1			
C10	195127-0	OIL VESSEL SET		1			
B01		INC. 1,2,6,25,28,30					
B02	191D07-2	SIDE GRIP SET		1			
B02		INC. 9-11,A01					
E01	818S14-7	CLEAR LABEL		1	*		
F15	198968-3	BATTERY BL1016 SET		1	*		
F16	198969-1	BATTERY BL1016 SET (2PIECES)		1	*		
F17-1	198970-6	BATTERY BL1021B SET (2PIECES)	O	1	*		
F18-1	199002-2	BATTERY BL1041B SET (2PIECES)	O	1	*		
F20	199245-6	DUSTCUP SET		1			
G12	1914X3-8	DUST EXTRACTION PAD SET		1			

Prosím uveďte objednáací číslo dílu v objednávce

Datum tisku 25. 10. 2024