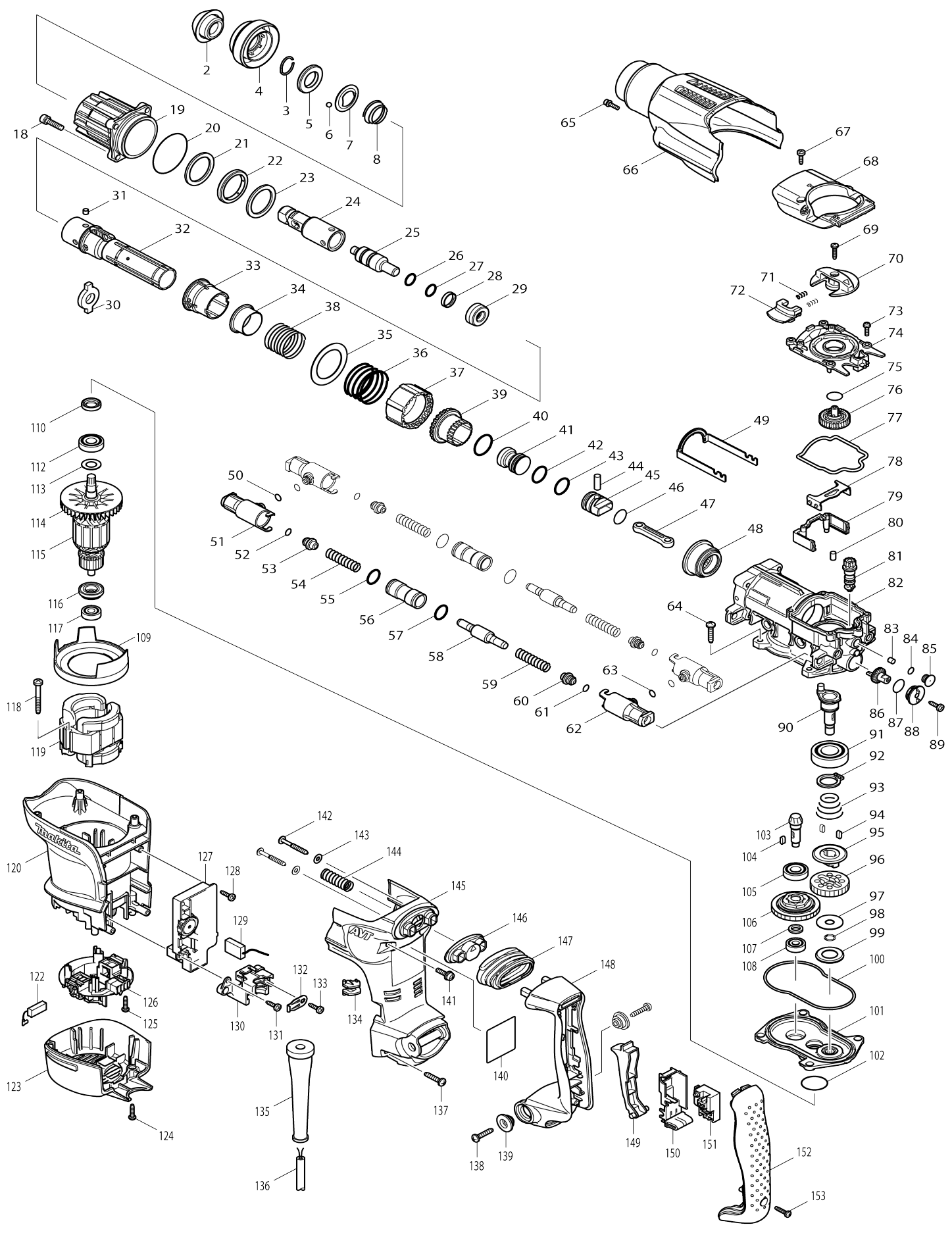


Model No.HR3210C VRTACÍ A SEKACÍ KLADIVO 32MM



Model No.HR3210C VRTACÍ A SEKACÍ KLADIVO 32MM

| Obj. č. | Obj. č. | Popis | Možn ost zá měny | Množ ství | Nový/ Starý | Poznámka 1 | Poznámka 2 |
|---------|----------|---|------------------------|--------------|----------------|----------------------------------|------------|
| 002 | 286282-0 | těsnění | | 1 | | t | |
| 003 | 233940-9 | pojistka HR2020,=old233915-8 | | 1 | | pojistka HR2020 =old 233915-8 | |
| 004 | 450245-4 | kryt sklíčidla HR3200 | | 1 | | kryt skl | |
| 005 | 257288-5 | o kroužek HR3200C/10C/10FCT | | 1 | | o krou | |
| 006 | 216022-2 | kulička = old 183013 | | 2 | | kuli | |
| 007 | 345873-7 | podložka HR3210C | | 1 | | podlo | |
| 008 | 234049-0 | podložka | | 1 | | pru | |
| 018 | 922341-3 | HEX. SOCKET HEAD BOLT M6X25 | | 4 | | imbus M6x25 | |
| 019 | 158533-0 | válec | | 1 | | v | |
| C10 | 213436-6 | gufero 28 HR3000C | | 1 | | gufero 28 HR3000C | |
| C20 | 213516-8 | O RING 36 | | 1 | * | | |
| C21 | 213142-3 | O-RING 35 | O | 1 | | krou | |
| 020 | 213656-2 | o-kroužek 53 | | 1 | | o krou | |
| 021 | 267810-0 | kroužek | | 1 | | krou | |
| 022 | 262138-1 | uretanová podložka 35 HR3200C /10C/10FCT | | 1 | | uretanov | |
| 023 | 267810-0 | kroužek | | 1 | | krou | |
| 024 | 324840-5 | držák nástroje HR3200C/10C | | 1 | | dr | |
| 025 | 324849-7 | úderník HR3200C/HR3210C | | 1 | | | |
| 026 | 213228-3 | o-kroužek 15 | | 1 | | o-krou | |
| 027 | 213228-3 | o-kroužek 15 | | 1 | | o-krou | |
| 028 | 213321-3 | fluoridní kroužek HR3000C | | 1 | | fluoridn | |
| 029 | 424062-8 | gumový kroužek 13 HR3200C Ser ie | | 1 | | gumov | |
| 030 | 324838-2 | SLIDE PLATE | | 1 | | deska | |
| 031 | 256266-2 | PIN 6 | | 4 | | | |
| 032 | 331794-9 | válec | | 1 | | v | |
| 033 | 450243-8 | plastové pouzdro HR3200 | | 1 | | plastov | |
| 034 | 331805-0 | RING 29 | | 1 | | krou | |
| 035 | 267360-5 | FLAT WASHER 40 | | 1 | | podlo | |
| 036 | 234052-1 | pružina HR3200 | | 1 | | pru | |
| 037 | 450236-5 | plastové pouzdro HR3200C | | 1 | | plastov | |
| 038 | 234050-5 | COMPRESSION SPRING 34 | | 1 | | pru | |
| 039 | 331795-7 | ozubené kolo | | 1 | | ozuben | |
| 040 | 213434-0 | o-kroužek | | 1 | | o-krou | |
| 041 | 324858-6 | STRIKER | | 1 | | udern | |
| 042 | 213283-5 | o-kroužek 18 HR3200C/10C/10FC T | | 1 | | o-krou | |
| 043 | 213283-5 | o-kroužek 18 HR3200C/10C/10FC T | | 1 | | o-krou | |
| 044 | 256087-2 | čep | | 1 | | | |
| 045 | 324918-4 | píst HR3210FCT/3540C/41FC | | 1 | | p | |
| 046 | 213262-3 | o-kroužek 18 | | 1 | | o-krou | |
| 047 | 450235-7 | ojnice HR3200C/10C/10FCT | | 1 | | ojnice HR3200C/10C/ 10FCT | |
| 048 | 227531-6 | ozubené kolo | | 1 | | ozuben | |
| 049 | 345867-2 | řazení HR3200C | | 1 | | | |
| 050 | 213030-4 | o kroužek 8 | | 2 | | o krou | |
| 051 | 450248-8 | PIPE HOLDER | | 2 | | dr | |

| | | | | | | | |
|-------|----------|--|---|---|---|----------------------------------|--|
| 052 | 213030-4 | o kroužek 8 | | 2 | | o krou | |
| 053 | 450239-9 | SPRING GUIDE | | 2 | | veden | |
| 054 | 234048-2 | COMPRESSION SPRING 10 | | 2 | | | |
| 055 | 213275-4 | O RING 18 | | 2 | | o krou | |
| 056 | 331800-0 | PIPE 15 | | 2 | | | |
| 057 | 213275-4 | O RING 18 | | 2 | | o krou | |
| 058 | 324862-5 | COUNTER WEIGHT | | 2 | | | |
| 059 | 234048-2 | COMPRESSION SPRING 10 | | 2 | | | |
| 060 | 450239-9 | SPRING GUIDE | | 2 | | veden | |
| 061 | 213030-4 | o kroužek 8 | | 2 | | o krou | |
| 062 | 450248-8 | PIPE HOLDER | | 2 | | dr | |
| 063 | 213030-4 | o kroužek 8 | | 2 | | o krou | |
| 064 | 266041-8 | šroub křížový 5103R = old 93352 6 | | 4 | | | |
| 065 | 922123-3 | imbus M4x14 DCS230T | | 1 | | imbus M4x14 DCS23 0T | |
| 066 | 450254-3 | CRANK HOUSING COVER | | 1 | | kryt | |
| 067 | 266192-7 | šroub 4 X 14 | | 2 | | | |
| 068 | 318201-9 | kryt přepínání | | 1 | | kryt p | |
| 069 | 265995-6 | šroub 4x18 = old 265941-9 | | 1 | | | |
| 070 | 450249-6 | přepínač režimu | | 1 | | p | |
| 071 | 233436-0 | pružina HR4011 | | 2 | | pru | |
| 072 | 450250-1 | LOCK BUTTON | | 1 | | aretace HR3200 HR3 210 | |
| 073 | 911128-8 | P.H.SCREW M4X16 WITH WR | | 5 | | | |
| 074 | 450241-2 | víčko | | 1 | | v | |
| 075 | 213223-3 | O RING 16 | | 1 | | | |
| 076 | 158437-6 | ozubené kolo | | 1 | | ozuben | |
| 077 | 424064-4 | kroužek | | 1 | | krou | |
| 078 | 345868-0 | řazení HR3200C | | 1 | | | |
| 079 | 450247-0 | plastové pouzdro řazení HR3200 C/10C/10FC | | 1 | * | | |
| 079-1 | 453866-1 | AIR PIPE | < | 1 | | plastov | |
| 080 | 263005-3 | vymezovací čep 6 | | 2 | | | |
| 081 | 450242-0 | osa HR3200C-Serie=new452126- 8 | | 1 | * | | |
| 081-1 | 452126-8 | klínek HR3200C-Serie=old450242 -0 | S | 1 | | kl | |
| 082 | 158531-4 | CRANK HOUSING COMPLETE | | 1 | * | | |
| C10 | 213579-4 | O-RING 44 | | 1 | * | | |
| 082-1 | 158712-0 | skříň | O | 1 | * | sk | |
| C10 | 213579-4 | O-RING 44 | | 1 | * | | |
| 082-2 | 158712-0 | skříň | O | 1 | | sk | |
| C10 | 213579-4 | O-RING 44 | | 1 | | | |
| 083 | 443138-2 | filtr HR3200C/10C/10FCT/3540 | | 1 | | filtr HR3200C/10C/10 FCT/3540 | |
| 084 | 213030-4 | o kroužek 8 | | 1 | | o krou | |
| 085 | 450238-1 | FILTER CAP | | 1 | | v | |
| 086 | 450244-6 | ozubené kolo HR3200C Serie | | 1 | | ozuben | |
| 087 | 213223-3 | O RING 16 | | 1 | * | | |
| 087-1 | 213176-6 | o kroužek | < | 1 | | o krou | |
| 088 | 450237-3 | držák HR3200C Serie | | 1 | | dr | |
| 089 | 266192-7 | šroub 4 X 14 | | 1 | | | |
| 090 | 324839-0 | kliková jřidel HR3210FCT/3540C | | 1 | | klikov | |

| | | | | | | | |
|-------|----------|---------------------------------------|---|---|---|--|--|
| 091 | 211332-2 | kuličkové ložisko 6004LLU | | 1 | | kuli | |
| 092 | 961060-6 | segrovka vnější S-20 | | 1 | | segrovka vn | |
| 093 | 231991-6 | conical comp. spring 21-3 | | 1 | | conical comp. spring 21-3 | |
| 094 | 254239-9 | key 4 | | 2 | | key 4 | |
| 095 | 324848-9 | spojka HR3200C | | 1 | | spojka HR3200C | |
| 096 | 227188-3 | ozubené kolo HR3200C/10C/10FCT | | 1 | | ozuben | |
| 097 | 253197-6 | podložka | | 1 | | podlo | |
| 098 | 961036-3 | segrovka WR-10 | | 1 | | segrovka WR-10 | |
| 099 | 345869-8 | podložka 18 HM3541FC | | 1 | | podlo | |
| 100 | 424063-6 | těsnění | | 1 | | t | |
| 101 | 158534-8 | skříň | | 1 | | sk | |
| 102 | 213415-4 | o-kroužek 28 | | 1 | | o-krou | |
| 103 | 227533-2 | pastorek spojky HR3200C/10C/10FCT | | 1 | | pastorek spojky HR3200C/10C/10FCT | |
| 104 | 254239-9 | key 4 | | 1 | | key 4 | |
| 105 | 210105-0 | ložisko PW5000CH | | 1 | | lo | |
| 106 | 125421-6 | omezovač otáček HR3200C/10C/FCT | | 1 | | omezova | |
| 107 | 257291-6 | kroužek | | 1 | | krou | |
| 108 | 210005-4 | kulič. ložisko 608DDW = old 211031-6 | | 1 | | kuli | |
| 109 | 450251-9 | deska | | 1 | | deska | |
| 110 | 213133-4 | simmering 12 HR2800/3540C=new213678-2 | | 1 | | | |
| 112 | 210105-0 | ložisko PW5000CH | | 1 | | lo | |
| 113 | 253084-9 | podložka 12 | | 1 | | podlo | |
| 114 | 241863-7 | větrák 70 HR3000C | | 1 | | v | |
| 115 | 513748-0 | rotor HR3200C | | 1 | | rotor HR3200C | |
| 115 | | INC. 112-114,116,117 | | | | | |
| 116 | 681650-6 | izolační podložka = old 932121 | | 1 | | izola | |
| 117 | 210005-4 | kulič. ložisko 608DDW = old 211031-6 | | 1 | | kuli | |
| 118 | 266056-5 | šroub 5x46 | | 2 | | | |
| 119 | 625813-4 | stator HR3210FCT/3540C/41FC | | 1 | | stator HR3210FCT/3540C/41FC | |
| 120 | 450252-7 | motorová skříň HR3200C/10FCT | | 1 | | motorov | |
| 122 | 194160-9 | uhlíky CB-350 HR4011C | | 1 | * | uhl | |
| 122-1 | 195004-6 | CARBON BRUSH SET CB-350 | O | 1 | * | uhl | |
| 122-2 | 194160-9 | uhlíky CB-350 HR4011C | O | 1 | | uhl | |
| 123 | 450253-5 | REAR COVER | | 1 | | kryt HR3200C HR3210C HR3540C a HR3541C | |
| 124 | 265995-6 | šroub 4x18 = old 265941-9 | | 2 | | | |
| 125 | 265995-6 | šroub 4x18 = old 265941-9 | | 4 | | | |
| 126 | 638519-5 | BRUSH HOLDER UNIT | | 1 | | | |
| 127 | 631784-5 | elektronika HR3200C/10C | | 1 | | elektronika HR3200C/10C | |
| 128 | 266192-7 | šroub 4 X 14 | | 1 | * | | |
| 128-1 | 266901-4 | TAPPING SCREW 4X14 | < | 1 | | | |
| 129 | 638406-8 | LEAD UNIT | | 1 | | | |
| 130 | 450246-2 | CORD CLAMP BASE | | 1 | | | |
| 131 | 266192-7 | šroub 4 X 14 | | 1 | * | | |
| 131-1 | 266901-4 | TAPPING SCREW 4X14 | < | 1 | | | |

| | | | | | | | |
|-------|----------|---------------------------------------|---|---|---|-----------------------|--|
| 132 | 687169-3 | držák kabelu | | 1 | | dr | |
| 133 | 266192-7 | šroub 4 X 14 | | 1 | | | |
| 134 | 450240-4 | LENS | | 1 | | dioda | |
| 135 | 682560-0 | ochranná průchodka 10 = old 68 2556-1 | | 1 | | ochrann | |
| 136 | 695123-3 | POWER SUPPLY CORD 1.5-2-4.0 | | 1 | | | |
| 137 | 266041-8 | šroub křížový 5103R = old 93352 6 | | 2 | | | |
| 138 | 266041-8 | šroub křížový 5103R = old 93352 6 | | 2 | | | |
| 139 | 450352-3 | SHOULDER SLEEVE 6 | | 2 | | pouzdro=old313124-6 | |
| 140 | 864538-7 | HR3210C NAME PLATE | | 1 | * | | |
| 140-1 | 8580L5-6 | HR3210C NAME PLATE | O | 1 | | | |
| 141 | 911233-1 | šroub M5x20 | | 2 | | | |
| 142 | 266211-9 | šroub 5x40 | | 2 | | | |
| 143 | 267066-5 | FLAT WASHER 5 | | 2 | | podlo | |
| 144 | 234051-3 | COMPRESSION SPRING 11 | | 1 | | pru | |
| 145 | 450255-1 | HANDLE BASE | | 1 | | | |
| 146 | 419014-2 | DUST COVER SUPPORT | | 1 | | | |
| 147 | 421912-8 | DUST COVER | | 1 | | | |
| 148 | 450256-9 | HANDLE | | 1 | | dr | |
| 149 | 419025-7 | SWITCH LEVER | | 1 | | kryt vyp | |
| 150 | 154626-1 | držák vypínače HR4011C-Serie | | 1 | | dr | |
| 151 | 650567-4 | vypínač TG73B-1 | | 1 | * | | |
| 151-1 | 650676-9 | vypínač | < | 1 | | vyp | |
| 152 | 450257-7 | HANDLE COVER | | 1 | | | |
| 153 | 265995-6 | šroub 4x18 = old 265941-9 | | 1 | | | |
| 154 | 267383-3 | FLAT WASHER 22 | | 1 | | | |
| 155 | 267721-9 | WAVE WASHER 15 | | 1 | | podlo | |
| 156 | 213083-3 | kroužek | | 1 | | krou | |
| A01 | 181573-3 | GREASE VESSEL 93G | | 1 | * | | |
| A01-1 | 194683-7 | mazací tuk = old 194659-4 | O | 1 | * | | |
| A01-2 | 198993-4 | GREASE VESSEL SET | < | 1 | | | |
| A02 | 135197-7 | rukojeť HR3200C,3210FCT | | 1 | | | |
| C10 | 265701-9 | THUMB SCREW M6X14 | | 1 | | | |
| C20 | 266163-4 | šroub | | 1 | | | |
| C30 | 321248-4 | 216403 = (224594+216403) | | 1 | | hlobkov | |
| C40 | 344492-6 | deska | | 1 | | deska | |
| C50 | 344811-6 | objímka přídatné rukojeti | | 1 | | obj | |
| C60 | 417026-9 | držák objímky rukojeti | | 1 | | dr | |
| C70 | 931302-2 | matka M6 | | 1 | | matka M6=new25227 3-3 | |
| A03 | 824825-6 | transportní kufr HR3210C/FCT | | 1 | * | | |
| C10 | 163467-4 | spona | | 2 | * | spona kufu kovov | |
| A03-1 | 824819-1 | PLASTIC CARRYING CASE | O | 1 | | | |
| C10 | 163467-4 | spona | | 2 | | spona kufu kovov | |
| A04 | 810409-6 | CAUTION CARD | | 1 | | | |
| A05 | 806480-6 | HR3210C MODEL NO.LABEL | | 1 | | | |
| B01 | 195199-5 | servis sada HM0850C | | 1 | | | |
| C10 | 181490-7 | mazivo 30g | | 1 | * | | |
| C11 | 1914C5-7 | GREASE SET | O | 1 | | | |
| B01 | | INC. 2,3,6,7,26-28,42,43,46, | | | | | |

| | | | | | | | |
|-----|----------|-------------------------|--|---|--|--|--|
| B01 | | INC. 122 | | | | | |
| G12 | 1914X3-8 | DUST EXTRACTION PAD SET | | 1 | | | |

Prosím uveďte objednáč. číslo dílu v objednávce

Datum tisku 25. 10. 2024