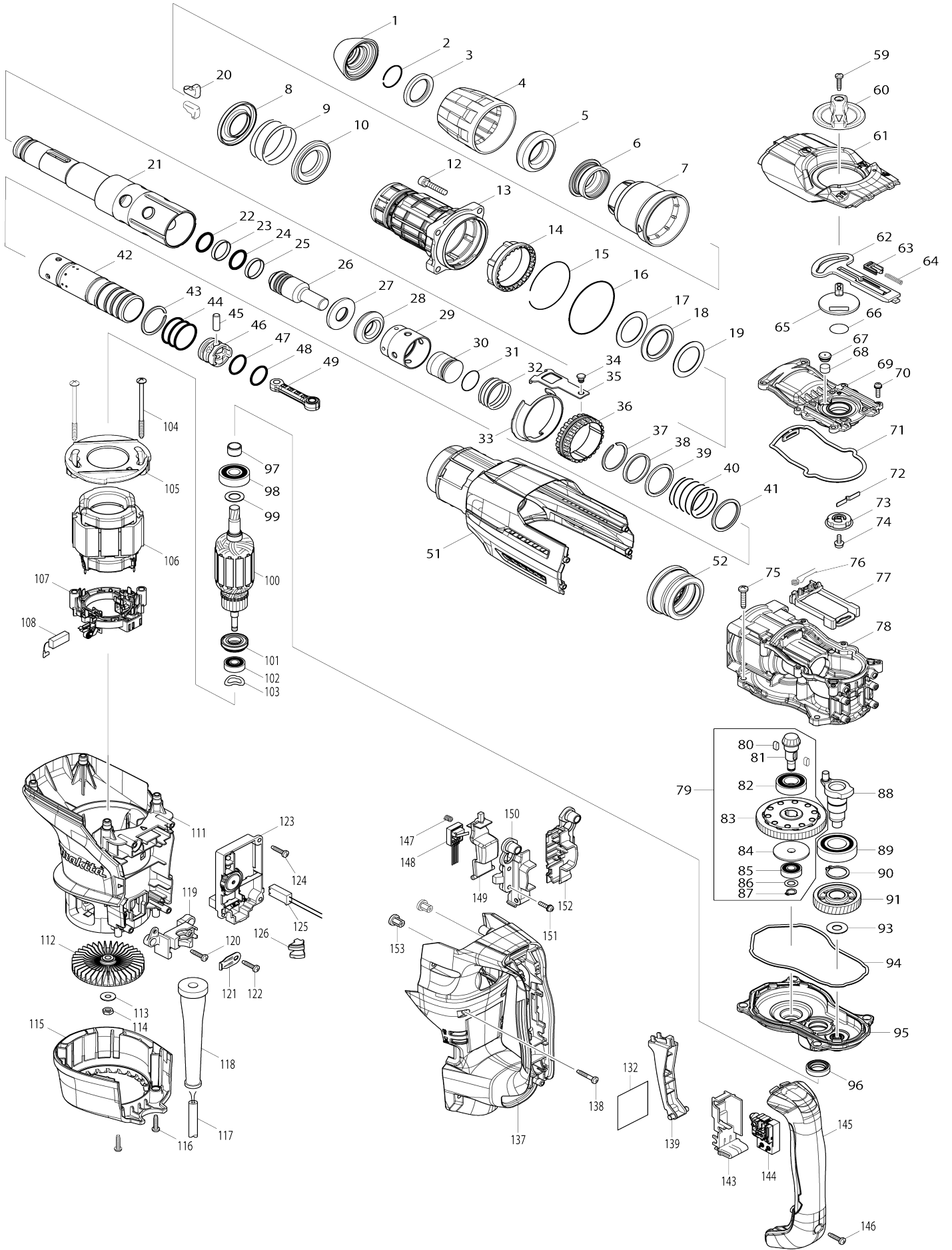


Model No.HR4003C 40MM ROTARY HAMMER



Model No.HR4003C 40MM ROTARY HAMMER

Obj. č.	Obj. č.	Popis	Možn ost zá měny	Množ ství	Nový/ Starý	Poznámka 1	Poznámka 2
001	286292-7	TOOL HOLDER CAP		1		prachovka	
002	233948-3	pojistný kroužek HR5210-11C		1		pojistn	
003	257308-5	RING 28		1		krou	
004	454330-5	CHUCK COVER		1		kryt	
005	262167-4	RUBBER RING 30		1		gumov	
006	326272-2	CHUCK RING		1		krou	
007	454331-3	RELEASE COVER		1		kryt	
008	346670-4	SPRING GUIDE		1		podlo	
009	234288-2	COMPRESSION SPRING 46		1			
010	346670-4	SPRING GUIDE		1		podlo	
012	922351-0	HEX. SOCKET HEAD BOLT M6X30		4			
013	141956-9	BARREL COMPLETE		1		v	
C10	213246-1	O-RING 38 SA1004		1			
C20	213490-0	OIL SEAL 32		1			
C30	213492-6	o-kroužek 32 HR5211C/5210C/5201C		1		o-krou	
014	454337-1	LOCK SLEEVE		1		pouzdro	
015	234290-5	RING SPRING 59		1			
016	213707-1	o-kroužek 65		1		o-krou	
017	267469-3	FLAT WASHER 32		1		podlo	
018	262168-2	RUBBER RING 32		1		krou	
019	267469-3	FLAT WASHER 32		1		podlo	
020	310257-8	TOOL RETAINER		2		up	
021	326268-3	TOOL HOLDER		1		dr	
022	213317-4	o-kroužek 20		1		o-krou	
023	213392-0	fluoridní kroužek 25 HR4000C		1		fluoridn	
024	213317-4	o-kroužek 20		1		o-krou	
025	213392-0	fluoridní kroužek 25 HR4000C		1		fluoridn	
026	326269-1	IMPACT BOLT		1			
027	326274-8	RING 17		1		krou	
028	262166-6	RUBBER RING 18		1		krou	
029	454347-8	SLIDE SLEEVE		1		obal	
030	326270-6	STRIKER		1		tlouk	
031	213695-2	O-RING 22		1		o krou	
032	234289-0	COMPRESSION SPRING 33		1		pru	
033	346673-8	GUIDE RING		1		t	
034	256548-2	FLAT FILLISTER HEAD PIN 6		1			
035	346671-2	LINK PLATE		1		deska veden	
036	313255-1	DRIVING SLEEVE		1		kolo	
037	257991-8	RETAINING RING (EXT) WR-32.5		1		segrovka	
038	257340-9	RING 33		1		krou	
039	267470-8	FLAT WASHER 33		1		podlo	
040	234287-4	COMPRESSION SPRING 34		1			
041	267470-8	FLAT WASHER 33		1		podlo	
042	332063-1	CYLINDER 28.5		1		v	
043	257991-8	RETAINING RING (EXT) WR-32.5		1		segrovka	
044	213406-5	o-kroužek 30		3		o-krou	
045	256197-5	čep 7 = old 331507-8		1			

046	419004-5	píst HR4011C		1		p	
047	213379-2	o-kroužek 21 HR4011C		1	*	o-krou	
047-1	213695-2	O-RING 22	<	1		o krou	
048	213695-2	O-RING 22		1	*	o krou	
048-1	213379-2	o-kroužek 21 HR4011C	<	1		o-krou	
049	454317-7	CONNECTING ROD		1		ty	
051	141958-5	HOUSING COVER B COMPLETE		1		p	
052	227613-4	SPIRAL BEVEL GEAR 26		1		ozuben	
059	265995-6	šroub 4x18 = old 265941-9		1			
060	454326-6	CHANGE LEVER		1		p	
061	318988-3	CRANK CAP COVER		1		kryt	
062	454339-7	CONTROL PLATE		1		t	
063	454340-2	SLIDE PLATE		1		deska HR4003C HR4013C	
064	234284-0	COMPRESSION SPRING 4		1		pru	
065	454345-2	CRANK LEVER		1		kole	
066	213262-3	o-kroužek 18		1		o-krou	
067	424556-3	FILTER CAP		1			
068	443182-9	FILTER		1			
069	454319-3	CRANK CAP		1			
070	911128-8	P.H.SCREW M4X16 WITH WR		6			
071	424559-7	SEAL RING B		1		t	
072	232280-2	LEAF SPRING		1		pru	
073	454318-5	LINK LEVER		1		p	
074	911511-9	šroub		1			
075	266041-8	šroub křížový 5103R = old 933526		4			
076	233603-7	TORSION SPRING 7		1		pru	
077	454338-9	LINK GUIDE		1		veden	
078	141954-3	CRANK HOUSING B COMPLETE		1		obal HR4003C	
079	126290-8	TORQUE LIMITER ASSEMBLY		1		kompletn	
079		INC. 80-87					
080	254239-9	key 4		2		key 4	
081	227612-6	SPIRAL BEVEL GEAR 7		1			
082	211232-6	Ball Bearing 6002LLU		1		kuli	
083	141959-3	TORQUE LIMITER COMPLETE		1		spojka	
084	324727-1	SHOULDER WASHER 8		1			
085	210005-4	kulič. ložisko 608DDW = old 211031-6		1		kuli	
086	253215-0	796119		1			
087	961004-6	segrovka S-8		1		segrovka S-8	
088	326271-4	CRANK SHAFT		1		klikovka DHR400 HR4003C HR4013C	
089	211332-2	kuličkové ložisko 6004LLU		1		kuli	
090	961060-6	segrovka vnější S-20		1		segrovka vn	
091	227772-4	HELICAL GEAR 37		1		ozuben	
093	253180-3	podložka 10		1		podlo	
094	424558-9	SEAL RING A		1		t	
095	141955-1	GEAR HOUSING COMPLETE		1		spodn	
096	213231-4	gufero 15-25-7		1		gufero 15-25-7	
097	331596-3	pouzdro		1		pouzdro	
098	211137-0	ložisko HM0860C		1		lo	
099	253744-3	podložka 12		1		podlo	

100	513888-4	ARMATURE ASS'Y 220-240V		1		rotor HR4013C	
100		INC. 97,98,99,101,102					
101	681650-6	izolační podložka = old 932121		1		izola	
102	210005-4	kulič. ložisko 608DDW = old 2110 31-6		1		kuli	
103	267721-9	WAVE WASHER 15		1		podlo	
104	266568-8	TAPPING SCREW 5X80		2			
105	454329-0	BAFFLE PLATE		1		deska	
106	625758-6	stator HR4011C-Serie=old625738 -2		1		stator HR4011C-Serie HR4001C HR4003C HR4010C HR4011C HR4013C=old625738-2	
107	632A84-2	BRUSH HOLDER UNIT		1	*		
107-1	632E31-7	BRUSH HOLDER UNIT	S	1		dr	
108	194160-9	uhlíky CB-350 HR4011C		1	*	uhl	
108-1	197245-0	CARBON BRUSH CB-351	S	1	*		
108-2	197244-2	CARBON BRUSH CB-351	O	1		uhl	
111	454316-9	MOTOR HOUSING		1		obal motoru	
112	240146-2	FAN 76		1		ventil	
113	253047-5	FLAT WASHER 6		1		podlo	
114	931303-0	HEX. NUT M6		1			
115	454328-2	REAR COVER		1		kryt rotoru HR4013C	
116	265995-6	šroub 4x18 = old 265941-9		2			
117	695123-3	POWER SUPPLY CORD 1.5-2-4.0		1			
118	682560-0	ochranná průchodka 10 = old 68 2556-1		1		ochrann	
119	419024-9	CORD CLAMP BASE		1		zar	
120	265995-6	šroub 4x18 = old 265941-9		1			
121	687169-3	držák kabelu		1		dr	
122	265995-6	šroub 4x18 = old 265941-9		1			
123	620202-8	CONTROLLER		1		elektronika HR4003 C	
124	265995-6	šroub 4x18 = old 265941-9		1			
125	632B52-1	LEAD UNIT		1			
126	454346-0	LENS		1			
132	814T27-2	HR4003C NAME PLATE		1			
137	454322-4	HANDLE B		1		kryt HR4003C	
138	265999-8	TAPPING SCREW 4X25		6			
139	454333-9	SWITCH LEVER B		1		p	
143	154626-1	držák vypínače HR4011C-Serie		1		dr	
144	650678-5	SWITCH C3PA-1121		1		vyp	
145	454323-2	HANDLE COVER		1		kryt rukoje	
146	265995-6	šroub 4x18 = old 265941-9		1			
147	234281-6	COMPRESSION SPRING 6		1		p	
148	632A83-4	SWITCH UNIT		1		vyp	
149	454336-3	SWITCH LEVER C		1		t	
150	187692-3	SWITCH CASE SET		1		obal	
150		INC. 152					
151	911128-8	P.H.SCREW M4X16 WITH WR		4			
152	187692-3	SWITCH CASE SET		1		obal	
152		INC. 150					
153	286255-3	čepička DC 24		2	*		
153-1	286044-6	CAP 13	O	2			

154	807Y79-0	CLEAR LABEL		1		
A01	123138-5	SIDE GRIP ASSEMBLY		1		
A02	196792-8	SIDE HANDLE 73 SET		1		
A03	194683-7	mazací tuk = old 194659-4		1	*	
A03-1	198993-4	GREASE VESSEL SET	<	1		
A04	196277-4	PLASTIC CASE SET		1		
C10	837544-5	INNER TRAY		1		
C20	801Y02-7	INDICATION LABEL		1	*	
C30	162271-8	přezka kufru		2		
A05	331955-1	DEPTH GAUGE		1		
A06	443122-7	CLOTH		1		
A18	8047A1-7	HR4003C PLASTIC CASE LABEL		2		
B01	197298-9	HAMMER SERVICE KIT		1		
C10	181490-7	mazivo 30g		2	*	
C11	1914C5-7	GREASE SET	O	2		
B01		INC. 1,22-25,31,48,108			*	
B01		INC. 1,22-25,31,47,108				
F02-1	199142-6	DUST EXTRACTOR ATT SET(EU)	<	1		
F03-1	199142-6	DUST EXTRACTOR ATT SET(EU)	<	1		
F04-1	199143-4	DUST EXTRACTOR ATT SET(EU)	<	1		
F05-1	199143-4	DUST EXTRACTOR ATT SET(EU)	<	1		
F07-1	199144-2	DUST EXTRACTOR ATT SET(EU)	<	1		
C10	417765-1	adaptér 22 VC3210L =new 1955 47-8		1		
C20	417766-9	FRONT CUFF 38		1		
C30	415021-3	HOSE JOINT		1		
F08-1	199144-2	DUST EXTRACTOR ATT SET(EU)	<	1		
C10	417765-1	adaptér 22 VC3210L =new 1955 47-8		1		
C20	417766-9	FRONT CUFF 38		1		
C30	415021-3	HOSE JOINT		1		
G12	1914X3-8	DUST EXTRACTION PAD SET		1		

Prosím uveďte objednáací číslo dílu v objednávce

Datum tisku 25. 10. 2024