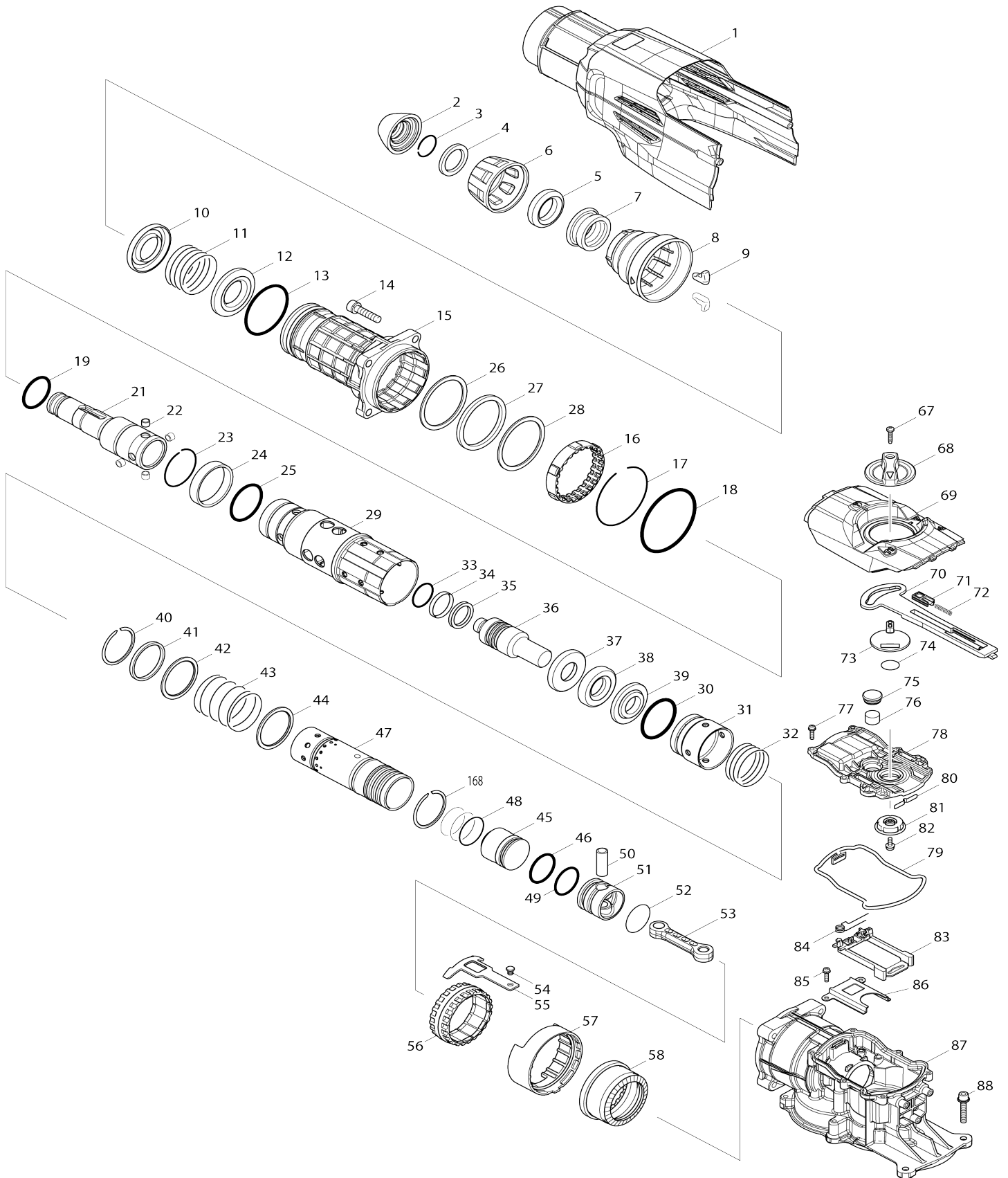
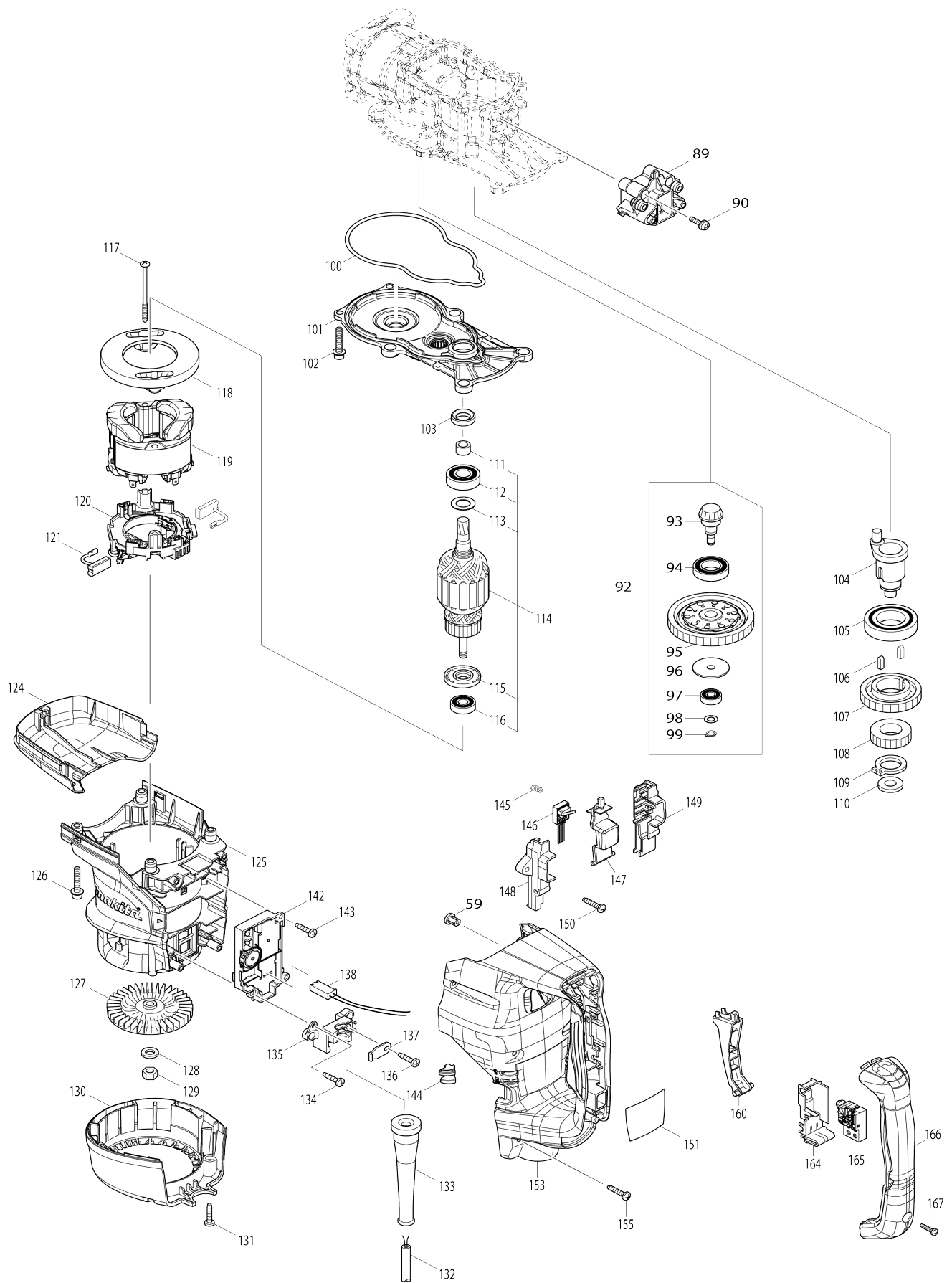


Model No.HR5202C ROTARY HAMMER 52MM



Model No.HR5202C ROTARY HAMMER 52MM



Model No.HR5202C ROTARY HAMMER 52MM

Obj. č.	Obj. č.	Popis	Možn ost zá měny	Množ ství	Nový/ Starý	Poznámka 1	Poznámka 2
001	142412-2	HOUSING COVER B COMPLETE		1		plastov	
C10	810100-6	CAUTION LABEL		1			
002	286292-7	TOOL HOLDER CAP		1		prachovka	
003	233948-3	pojistný kroužek HR5210-11C		1		pojistn	
004	257367-9	RING 28		1		krou	
005	262172-1	RUBBER RING 29		1		gumov	
006	454767-6	CHUCK COVER		1		kryt	
007	324752-2	kroužek		1		krou	
008	454768-4	RELEASE COVER		1		kryt HR5212C	
009	310178-4	válečky HR5211C/5210C/5201		2		v	
010	346751-4	SPRING GUIDE		1		krou	
011	234317-1	COMPRESSION SPRING 49		1			
012	346751-4	SPRING GUIDE		1		krou	
014	922456-6	imbus M8x35 HM1203C		4		imbus M8x35 HM120 3C	
015	142408-3	BARREL COMPLETE		1		hlin	
C10	213663-5	o-kroužek 55		1		o-krou	
C20	213778-8	OIL SEAL 42		1			
C30	214603-6	PLANE BEARING 49		1			
C40	259056-2	RING SPRING 54		1			
016	454769-2	LOCK SLEEVE		1			
017	259057-0	RING SPRING 74		1			
018	213766-5	o- kroužek 78		1		o- krou	
019	213789-3	O-RING 38		1		O krou	
021	326361-3	TOOL HOLDER A		1		dr	
022	268308-0	PIN 9		4			
023	231989-3	pojistný kroužek		1		pojistn	
024	257353-0	RING 49		1			
025	213779-6	O-RING 45		1			
026	267477-4	FLAT WASHER 60		1			
027	262171-3	RUBBER RING 60		1		gumov	
028	267477-4	FLAT WASHER 60		1			
029	326362-1	TOOL HOLDER B		1			
030	213783-5	O-RING 48		1		o krou	
031	454761-8	SLIDE SLEEVE		1		pouzdro	
032	234318-9	COMPRESSION SPRING 45		1			
033	213811-6	O-RING 26.5		1	*	O-krou	
033-1	213811-6	O-RING 26.5	S	3		O-krou	
034	213780-1	FLUORIDE RING 32.5		1	*	karbonov	
034-1	213780-1	FLUORIDE RING 32.5	S	3		karbonov	
035	213776-2	X-RING 26		1	*		
036	326374-4	IMPACT BOLT		1	*		
036-1	327245-8	IMPACT BOLT	S	1	*		
036-2	327245-8	IMPACT BOLT	O	1			
037	257354-8	RING 23		1			
038	262173-9	RUBBER RING 24		1		gumov	
039	267856-6	SHOULDER WASHER 23		1			
040	257994-2	RETAINING RING(EXT)WR-44		1		krou	

041	257355-6	RING 44		1		o krou	
042	267478-2	FLAT WASHER 44		1			
043	234319-7	COMPRESSION SPRING 46		1			
044	267478-2	FLAT WASHER 44		1			
045	326377-8	STRIKER		1			
046	213781-9	O-RING 33		1		O-krou	
047	332093-2	CYLINDER 40		1		v	
048	213460-9	o-kroužek 35		3		o-krou	
049	213782-7	O-RING 30		1		O-krou	
050	257820-5	SLEEVE 9		1		pouzdro	
051	319097-1	PISTON		1	*	p	
051-1	312A68-3	PISTON	<	1		p	
052	213460-9	o-kroužek 35		1		o-krou	
053	454765-0	CONNECTING ROD		1		ojnice	
054	256548-2	FLAT FILLISTER HEAD PIN 6		1			
055	346749-1	LINK PLATE		1			
056	313272-1	DRIVING SLEEVE		1			
057	454779-9	GUIDE RING		1		vod	
058	227625-7	SPIRAL BEVEL GEAR 33		1		ozuben	
059	286255-3	čepička DC 24		2	*		
059-1	286044-6	CAP 13	O	2			
067	265995-6	šroub 4x18 = old 265941-9		1			
068	454326-6	CHANGE LEVER		1		p	
069	319082-4	CRANK CAP COVER		1		kryt	
070	454770-7	CONTROL PLATE		1		t	
071	454771-5	SLIDE PLATE		1		deska	
072	234284-0	COMPRESSION SPRING 4		1		pru	
073	454345-2	CRANK LEVER		1		kole	
074	213262-3	o-kroužek 18		1		o-krou	
075	424607-2	FILTER CAP		1			
076	443129-3	filtr		1		filtr	
077	911128-8	P.H.SCREW M4X16 WITH WR		6			
078	454764-2	CRANK CAP		1			
079	424608-0	SEAL RING B		1	*		
079-1	422787-8	SEAL RING B	<	1		t	
080	232280-2	LEAF SPRING		1		pru	
081	454766-8	LINK LEVER		1			
082	911511-9	šroub		1			
083	454778-1	LINK GUIDE		1			
084	233611-8	TORSION SPRING 7		1		pru	
085	911128-8	P.H.SCREW M4X16 WITH WR		2			
086	346748-3	GUIDE RAIL		1		veden	
087	142407-5	CRANK HOUSING B COMPLETE		1		kryt klikovky	
088	922359-4	H.S.H.BOLT M6X35 WITH WG		2			
089	454784-6	BASE B		1			
090	911233-1	šroub M5x20		3			
092	126476-4	TORQUE LIMITER ASSEMBLY		1		spojka	
092		INC. 93-99					
093	227628-1	SPIRAL BEVEL GEAR 10		1			
094	211323-3	kuličkové ložisko 6904LLU		1		kuli	
095	142410-6	TORQUE LIMITER COMPLETE		1		d	
096	324727-1	SHOULDER WASHER 8		1			

097	210005-4	kulič. ložisko 608DDW = old 2110 31-6		1		kuli	
098	253215-0	796119		1			
099	961004-6	segrovka S-8		1		segrovka S-8	
100	424609-8	SEAL RING A		1	*		
100-1	422786-0	SEAL RING A	<	1		t	
101	142409-1	GEAR HOUSING COMPLETE		1			
102	922359-4	H.S.H.BOLT M6X35 WITH WG		2			
103	213231-4	gufero 15-25-7		1		gufero 15-25-7	
104	326376-0	CRANK SHAFT		1	*		
104-1	327142-8	CRANK SHAFT	<	1		h	
105	211418-2	kuličkové ložisko 6006LV		1		kuli	
106	254229-2	klínek 5 HR4000C/5001C/LC1230		2		kl	
107	227788-9	HELICAL GEAR 46		1		ozuben	
108	227336-4	SPUR GEAR 26		1		ozuben	
109	961102-6	RETAINING RING S-22		1		krou	
110	253843-1	podložka		1		podlo	
111	331596-3	pouzdro		1		pouzdro	
112	211238-4	kuličkové ložisko 6202LV		1		kuli	
113	267215-4	podložka BTW/BTD200SH/GA70/ 90		1		podlo	
114	517898-3	ARMATURE ASS'Y 220-240V		1		rotor HR5202C HR52 12C	
114		INC. 111-113,115,116					
115	681642-5	izolační podložka LS1013		1		izola	
116	210059-1	BALL BEARING 6000DDW		1			
117	266568-8	TAPPING SCREW 5X80		2			
118	454772-3	BAFFLE PLATE		1			
119	636303-2	stator HR5211C/5210C/5201C		1		stator HM1203C HM1 205C HM1213C HM1 214C HR5201C HR52 02C HR5210C HR521 1C HR5212C	
120	632B59-7	BRUSH HOLDER UNIT		1		dr	
121	195844-2	uhlíky CB-175=old194412-8		1		uhl	
124	454763-4	GEAR HOUSING COVER		1		kryt p	
125	454757-9	MOTOR HOUSING		1		obal HR5202C HR521 2C	
126	922359-4	H.S.H.BOLT M6X35 WITH WG		2			
127	240016-5	větrák		1		v	
128	253165-9	podložka 8 = old 923505		1		podlo	
129	252178-7	matka M8x12 4112HS		1		matka M8x12 4112H S	
130	454762-6	REAR COVER		1		zadn	
131	266041-8	šroub křížový 5103R = old 93352 6		2			
132	695123-3	POWER SUPPLY CORD 1.5-2-4.0		1			
133	682560-0	ochranná průchodka 10 = old 68 2556-1		1		ochrann	
134	265995-6	šroub 4x18 = old 265941-9		1			
135	419024-9	CORD CLAMP BASE		1		zar	
136	265995-6	šroub 4x18 = old 265941-9		1			
137	687169-3	držák kabelu		1		dr	
138	632C15-3	LEAD UNIT		1			
142	620251-5	CONTROLLER		1		elektronika HR5202C	

143	265995-6	šroub 4x18 = old 265941-9		1		
144	454346-0	LENS		1		
145	234281-6	COMPRESSION SPRING 6		1		p
146	632A83-4	SWITCH UNIT		1		vyp
147	454336-3	SWITCH LEVER C		1		t
148	187890-9	SWITCH CASE SET		1		pouzdro vyp
148		INC. 149				
149	187890-9	SWITCH CASE SET		1		pouzdro vyp
149		INC. 148				
150	266041-8	šroub křížový 5103R = old 933526		2		
151	815W32-0	HR5202C NAME PLATE		1		
153	454782-0	HANDLE B		1		dr
155	266041-8	šroub křížový 5103R = old 933526		6		
160	454333-9	SWITCH LEVER B		1		p
164	154626-1	držák vypínače HR4011C-Serie		1		dr
165	650678-5	SWITCH C3PA-1121		1		vyp
166	454760-0	HANDLE COVER		1		kryt
167	265995-6	šroub 4x18 = old 265941-9		1		
168	257994-2	RETAINING RING(EXT)WR-44		1		krou
A01	135283-4	držadlo cpl. HM1214C		1		
C10	252640-2	matice rukojeti M8		1		matice rukojeti M8
C20	265439-6	šroub M8x150		1		
C30	318430-4	boční držadlo		1		bo
C40	318431-2	boční držadlo		1		bo
C50	417002-3	aretace rukojeti		2		aretace rukojeti HR4511C HR5202C HR5212C
C60	417003-1	madlo rukojeti HM1202C= old 416009-6		1		madlo rukojeti HM1202C= old 416009-6
C70	951166-8	čep objímky HM1202C		1		
A02	135629-4	SIDE GRIP ASSEMBLY		1		
C10	158131-0	boční rukojeť HR5201C = old 152554-4		1		
C20	234226-4	COMPRESSION SPRING 6		1		
C30	266163-4	šroub		1		
C40	313223-4	RACK GUIDE		1		
C50	344492-6	deska		1		deska
C60	346750-6	GRIP SPRING 90		1		
C70	453114-8	LOCK BUTTON		1		
C80	454781-2	SIDE GRIP BASE 90		1		
A03	194683-7	mazací tuk = old 194659-4		1	*	
A03-1	198993-4	GREASE VESSEL SET	<	1		
A04	196552-8	PLASTIC CASE SET		1		
C10	162271-8	přezka kufru		2		
C20	837860-5	INNER TRAY		1		
C30	801Y02-7	INDICATION LABEL		1	*	
A05	804K57-7	HR5202C PLASTIC CASE LABEL		2		
A06	331955-1	DEPTH GAUGE		1		
A07	443122-7	CLOTH		1		
B01	191K75-7	HAMMER SERVICE KIT		1		servisn
C10	181490-7	mazivo 30g		4	*	

C11	1914C5-7	GREASE SET	O	4		
B01		INC. 2,33,34,46,49,121				
F01-1	199143-4	DUST EXTRACTOR ATT SET(EU)	<	1		
F02-1	199143-4	DUST EXTRACTOR ATT SET(EU)	<	1		
F03-1	199144-2	DUST EXTRACTOR ATT SET(EU)	<	1		
F04-1	199144-2	DUST EXTRACTOR ATT SET(EU)	<	1		
F05	196858-4	DUST EXTRACTOR ATTACHMENT SET		1		
C10	162361-7	DUST COVER COMPLETE		1		d
C20	454809-6	HOSE HOLDER C		1		dr
C30	453674-0	JOINT 25		1		plastov
C40	453118-0	BELLOWS		2		hadice
C50	455810-4	JOINT		2		
C60	424472-9	DUST COVER CAP		2		kryt
C70	123066-4	DEPTH GAUGE B ASSEMBLY		1		veden
G12	1914X3-8	DUST EXTRACTION PAD SET		1		

Prosím uveďte objednáací číslo dílu v objednávce

Datum tisku 25. 10. 2024