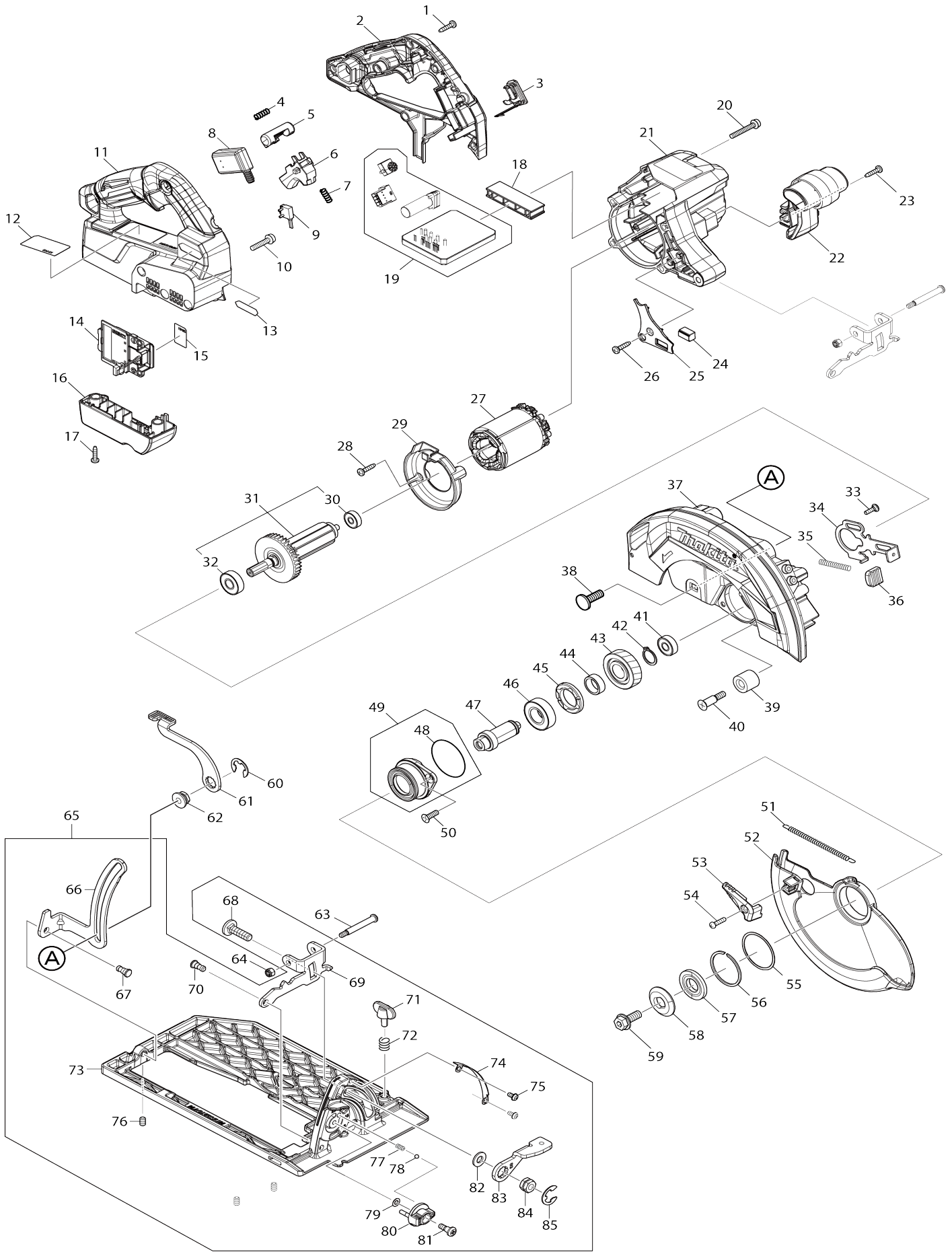


Model No.HS003G 185MM CORDLESS CIRCULAR SAW



Model No.HS003G 185MM CORDLESS CIRCULAR SAW

Obj. č.	Obj. č.	Popis	Možn ost zá měny	Množ ství	Nový/ Starý	Poznámka 1	Poznámka 2
001	266326-2	šroub 4x18=new265995-6		6			
002	183R15-1	HANDLE SET		1		dr	
C10	263005-3	vymezovací čep 6		1			
002		INC. 11					
003	140F99-0	CAP COMPLETE		1		v	
C10	213218-6	o kroužek		1	*	o krou	
C11	213A05-9	O-RING16	O	1		o krou	
C20	818H07-8	CAP LABEL		1			
004	231433-0	vinutá pružina		1		vinut	
005	419704-7	LOCK OFF BUTTON		1		p	
006	458594-3	SWITCH LEVER		1		p	
007	231433-0	vinutá pružina		1		vinut	
008	651083-9	SWITCH C3XA-1PSPM		1		vyp	
009	632M92-5	SWITCH UNIT		1			
010	911243-8	šroub M5x25		3			
011	183R15-1	HANDLE SET		1		dr	
C10	263005-3	vymezovací čep 6		1			
011		INC. 2					
012	857E33-4	HS003G NAME PLATE		1			
013	8012U4-2	XGT LOGO LABEL		1			
014	632P65-6	TERMINAL UNIT		1		termin	
015	857E38-4	HS003G SERIAL NO. LABEL		1			
016	140S46-9	TERMINAL HOUSING COMPLETE		1		obal	
C10	263005-3	vymezovací čep 6		1			
017	266326-2	šroub 4x18=new265995-6		2			
018	412480-2	SPACER		1		podlo	
019	620D01-2	CONTROLLER		1	*	ovl	
019-1	620L81-6	CONTROLLER	S	1		ovl	
020	911258-5	šroub M5x35 = old 290028		4			
021	458746-6	MOTOR HOUSING		1		obal motoru DHS782	
022	458750-5	FRONT GRIP		1			
023	266326-2	šroub 4x18=new265995-6		1			
024	620936-3	LED CIRCUIT		1		okruh DCs553 DHK18 0 DHS660 DHS661 D HS782 DHS783 DHS9 00	
025	458751-3	LIGHT COVER		1			
026	266326-2	šroub 4x18=new265995-6		1			
027	629479-2	STATOR		1	*	stator	
027-1	629C02-1	STATOR	S	1		stator =old 629A45-1	
028	266326-2	šroub 4x18=new265995-6		2			
029	458749-0	BAFFLE PLATE		1			
030	210022-4	kuličkové ložisko 626 DDW		1			
031	519534-7	ROTOR ASSY		1			
031		INC. 30,32					
032	210059-1	BALL BEARING 600DDW		1			
033	251529-1	+ PAN HEAD SCREW M4X14		1			
034	347676-5	SHAFT LOCK		1		z	
035	233084-5	Druckfeder 6=old233092-6		1		pru	

036	286039-9	CAP		1	v	
037	140S42-7	BLADE CASE COMPLETE		1	kryt no	
C10	213434-0	o-kroužek		1	o-krou	
C20	263005-3	vymezovací čep 6		1		
C30	818C45-0	SCALE LABEL		1		
038	266396-1	FLATHEAD SQUARENECKBOLT M8X24		1		
039	262185-2	RUBBER SLEEVE8		1		
040	251572-0	+ COUNTERSUNK HEAD SCREW M6X30		1		
041	210029-0	BALL BEARING 608ZZ		1		
042	961057-5	segrovka vnější S-17		1	segrovka vn	
043	226838-7	HELICAL GEAR 37		1		
044	257451-0	RING 17		1		
045	285809-3	kryt lož.se závitem GA9010C		1	kryt lo	
046	210301-0	ložisko=old211275-8		1	lo	
047	327192-3	SPINDLE		1		
048	213565-5	O RING 42		1		
049	136021-7	BEARING BOX ASSY		1		
049		INC. 48				
050	265034-2	šroub M5x16		2		
051	232467-6	TENSION SPRING 4		1		
052	319970-5	SAFETY COVER		1	ochrann	
053	271448-5	LEVER 37		1		
054	265178-8	PAN HEAD SCREW M4X16		1		
055	267337-0	FLAT WASHER 40		1		
056	257452-8	RETAINING RING (EXT) WR-40		1		
057	224593-5	INNER FLANGE 35		1	podlo	
058	224409-4	OUTER FLANGE 35		1	p	
059	266283-4	HEX. SOCKET HEX. BOLT M8X20		1		
060	257953-6	BOW STOP RING E-12		1	krou	
061	271460-5	LEVER 90		1	p	
062	252262-8	COLLERED HEX. NUT M8		1		
063	265075-8	šroub M5 5704R/4157KB		1		
064	252103-8	zajišťovací šroub M5-8		1		
065	136274-8	BASE ASSY		1	z	
065		INC. 66-85				
066	347439-9	DEPTH GUIDE		1		
067	256511-5	SHOULDER PIN 6-7		1		
068	266227-4	CAP SQUARE NECK BOLT M8X28		1		
069	347440-4	ANGULAR GUIDE		1	p	
070	256511-5	SHOULDER PIN 6-7		1		
071	265701-9	THUMB SCREW M6X14		1		
072	233376-2	pružina MT952		1	pru	
073	319972-1	BASE		1	z	
074	347442-0	SCALE PLATE		1		
075	251358-2	+ PAN HEAD SCREW M4X8		2		
076	266229-0	šroub M5x8 KP312/LS		3		
077	233314-4	pružina aretace momentu 6827		1	pru	
078	216008-6	kulička 4		1	kuli	
079	253811-4	podložka 5		1	podlo	
080	450704-8	DIAL 27		1		

081	251370-2	šroub M5 LS1030		1		
082	941201-0	podložka 8		1		podlo
083	346003-3	LEVER PLATE		1		
084	264006-4	HEX. NUT M8-13		1		
085	257953-6	BOW STOP RING E-12		1		krou
086	620K37-3	CONTROLLER B	S	1		sn
087	652119-7	PAN HEAD SCREW M2X6	S	6		
A01	196520-1	DUST NOZZLE SET		1		
A02	B-64185	TCT BLADE190X24T WOOD EFFIC UT		1		
A03	783204-6	klíč inbus 6		1		kl
A07	412393-7	BATTERY COVER		2		
A08	191B26-6	BATTERY BL4040 SET		2		
A09	***DC40RA	DC40RA FAST CHARGER		1		
A09		COMPO-PARTS				
A10	821552-6	systainer Makpac 395x295x315 mm=old824783-6		1		
C10	453974-8	LATCH		4		spona Makpacu
A11	8015K6-6	HS003GM201 INDICATION LABEL		1		
A12	8015K7-4	HS003GM201 PLASTIC CASE LABEL		2		
A13	835K81-9	INNER TRAY		1		
F02	199386-8	HOOK SET		1		

Prosím uveďte objednací číslo dílu v objednávce

Datum tisku 30. 10. 2024