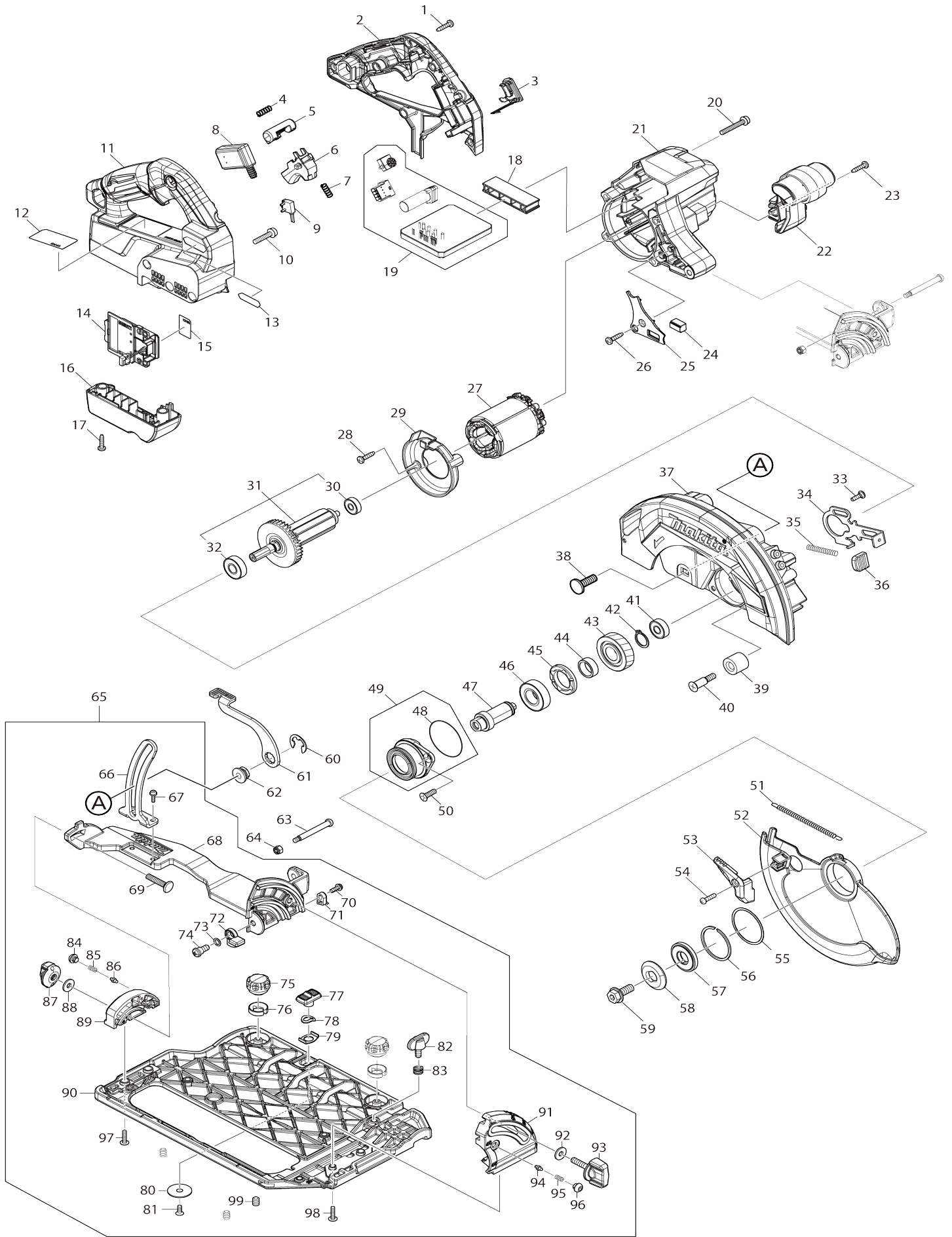


# Model No.HS004G 185MM CORDLESS CIRCULAR SAW



**Model No.HS004G 185MM CORDLESS CIRCULAR SAW**

Obj. č.	Obj. č.	Popis	Možn ost zá měny	Množ ství	Nový/ Starý	Poznámka 1	Poznámka 2
001	266326-2	šroub 4x18=new265995-6		6			
002	183R15-1	HANDLE SET		1		dr	
C10	263005-3	vymezovací čep 6		1			
002		INC. 11					
003	140F99-0	CAP COMPLETE		1		v	
C10	213218-6	o kroužek		1	*	o krou	
C11	213A05-9	O-RING16	O	1		o krou	
C20	818H07-8	CAP LABEL		1			
004	231433-0	vinutá pružina		1		vinut	
005	419704-7	LOCK OFF BUTTON		1		p	
006	458594-3	SWITCH LEVER		1		p	
007	231433-0	vinutá pružina		1		vinut	
008	651083-9	SWITCH C3XA-1PSPM		1		vyp	
009	632M92-5	SWITCH UNIT		1			
010	911243-8	šroub M5x25		3			
011	183R15-1	HANDLE SET		1		dr	
C10	263005-3	vymezovací čep 6		1			
011		INC. 2					
012	857E51-2	HS004G NAME PLATE		1			
013	8012U4-2	XGT LOGO LABEL		1			
014	632P65-6	TERMINAL UNIT		1		termin	
015	857E58-8	HS004G SERIAL NO. LABEL		1			
016	140S46-9	TERMINAL HOUSING COMPLETE		1		obal	
C10	263005-3	vymezovací čep 6		1			
017	266326-2	šroub 4x18=new265995-6		2			
018	412480-2	SPACER		1		podlo	
019	620D01-2	CONTROLLER		1	*	ovl	
019-1	620L81-6	CONTROLLER	S	1		ovl	
020	911258-5	šroub M5x35 = old 290028		4			
021	458746-6	MOTOR HOUSING		1		obal motoru DHS782	
022	458750-5	FRONT GRIP		1			
023	266326-2	šroub 4x18=new265995-6		1			
024	620936-3	LED CIRCUIT		1		okruh DCs553 DHK18 0 DHS660 DHS661 D HS782 DHS783 DHS9 00	
025	458751-3	LIGHT COVER		1			
026	266326-2	šroub 4x18=new265995-6		1			
027	629479-2	STATOR		1	*	stator	
027-1	629C02-1	STATOR	S	1		stator =old 629A45-1	
028	266326-2	šroub 4x18=new265995-6		2			
029	458749-0	BAFFLE PLATE		1			
030	210022-4	kuličkové ložisko 626 DDW		1			
031	519534-7	ROTOR ASSY		1			
031		INC. 30,32					
032	210059-1	BALL BEARING 600DDW		1			
033	251529-1	+ PAN HEAD SCREW M4X14		1			
034	347676-5	SHAFT LOCK		1		z	
035	233084-5	Druckfeder 6=old233092-6		1		pru	

036	286039-9	CAP		1	v	
037	140S42-7	BLADE CASE COMPLETE		1	kryt no	
C10	213434-0	o-kroužek		1	o-krou	
C20	263005-3	vymezovací čep 6		1		
C30	818C45-0	SCALE LABEL		1		
038	266396-1	FLATHEAD SQUARENECKBOLT M8X24		1		
039	262185-2	RUBBER SLEEVE8		1		
040	251572-0	+ COUNTERSUNK HEAD SCREW M6X30		1		
041	210029-0	BALL BEARING 608ZZ		1		
042	961057-5	segrovka vnější S-17		1	segrovka vn	
043	226838-7	HELICAL GEAR 37		1		
044	257451-0	RING 17		1		
045	285809-3	kryt lož.se závitem GA9010C		1	kryt lo	
046	210301-0	ložisko=old211275-8		1	lo	
047	327192-3	SPINDLE		1		
048	213565-5	O RING 42		1		
049	136021-7	BEARING BOX ASSY		1		
049		INC. 48				
050	265034-2	šroub M5x16		2		
051	232467-6	TENSION SPRING 4		1		
052	319970-5	SAFETY COVER		1	ochrann	
053	271450-8	LEVER 37		1	p	
054	265178-8	PAN HEAD SCREW M4X16		1		
055	267337-0	FLAT WASHER 40		1		
056	257452-8	RETAINING RING (EXT) WR-40		1		
057	224593-5	INNER FLANGE 35		1	podlo	
058	224409-4	OUTER FLANGE 35		1	p	
059	266283-4	HEX. SOCKET HEX. BOLT M8X20		1		
060	257953-6	BOW STOP RING E-12		1	krou	
061	271460-5	LEVER 90		1	p	
062	252262-8	COLLERED HEX. NUT M8		1		
063	265118-6	+ PAN HEAD SCREW M5		1		
064	252103-8	zajišťovací šroub M5-8		1		
065	136280-3	BASE ASSY		1	z	
065		INC. 66-99				
066	347532-9	DEPTH GUIDE		1	veden	
067	911516-9	Pan Head Screw M4x12		2	Pan Head Screw M4x12	
068	319975-5	FRAME		1	r	
069	251920-3	CAP SQUARE NECK BOLT M6X30		1		
070	911118-1	šroub M4x12		1		
071	419632-6	POSITION PLATE		1		
072	319978-9	STOPPER		1	doraz	
073	213026-5	o - kroužek		1		
074	251267-5	šroub M6		1		
075	265775-0	THUMB SCREW M4X3		2		
076	419627-9	doraz SP6000		2	doraz SP6000	
077	458092-7	SLIDE LEVER		1	tla	
078	253932-2	pérová podložka 10		1	p	
079	345977-5	PLATE		1	podlo	

080	345748-0	LOCK WASHER		1		podlo	
081	912112-6	šroub ZH M4x10		1			
082	265701-9	THUMB SCREW M6X14		1			
083	233376-2	pružina MT952		1		pru	
084	266559-9	H.S.BUTTON HEAD BOLT M6X4		1			
085	231234-6	221999		1		221999	
086	263041-9	SHOULDER PIN 3-5		1			
087	252270-9	THUMB NUT M6		1		matka	
088	253111-2	podložka		1		podlo	
089	319977-1	REAR ANGULAR PLATE		1		deska	
090	319974-7	BASE		1		z	
091	319976-3	FRONT ANGULAR PLATE		1		deska	
092	253111-2	podložka		1		podlo	
093	265776-8	THUMB SCREW M6X26		1			
094	263041-9	SHOULDER PIN 3-5		1			
095	231234-6	221999		1		221999	
096	266559-9	H.S.BUTTON HEAD BOLT M6X4		1			
097	265174-6	+ TRUSS HEAD SCREW M4X16		2			
098	265174-6	+ TRUSS HEAD SCREW M4X16		2			
099	266225-8	H.S.SET SCREW(FLAT POINT)M6X8		3			
100	620K37-3	CONTROLLER B	S	1		sn	
101	652119-7	PAN HEAD SCREW M2X6	S	6			
A01	196520-1	DUST NOZZLE SET		1			
A02	B-64185	TCT BLADE190X24T WOOD EFFICUT		1			
A03	783204-6	klíč inbus 6		1		kl	
A06	198900-7	WIRELESS UNIT SET		1	*		
A06-1	198900-7	WIRELESS UNIT SET	<	1	*		
A06-2	198900-7	WIRELESS UNIT SET	<	1	*		
A06-3	198900-7	WIRELESS UNIT SET	O	1	*		
A06-4	198900-7	WIRELESS UNIT SET	<	1			
A07	412393-7	BATTERY COVER		2			
A08	191B26-6	BATTERY BL4040 SET		2			
A09	***DC40RA	DC40RA FAST CHARGER		1			
A09		COMPO-PARTS					
A10	821552-6	systainer Makpac 395x295x315mm=old824783-6		1			
C10	453974-8	LATCH		4		spona Makpacu	
A11	8015M6-0	HS004GM202 INDICATION LABEL		1			
A12	8015M7-8	HS004GM202 PLASTIC CASE LABEL		2			
A13	835K82-7	INNER TRAY		1			
A14	164095-8	vodítko		1		doraz 5704R 5008M G SS610 HS630 HS300 HS003G	
F02	194367-7	vodící lišta SP6000 3000mm		1			
F03	194368-5	vodící lišta 1400mm=old192516-0		1			
F05	194416-0	SHEET 10000 SET		1			
F06	194417-8	RUBBER SHEET 10000 SET		1			
F07	194418-6	POSITION SHEET 1400 SET		1			
F09	194910-2	POSITION SHEET 1900 SET		1			

F11	194925-9	GUIDE RAIL 1900 SET		1			
F13	196664-7	BEVEL GUIDE SET		1			
F14-2	198900-7	WIRELESS UNIT SET	<	1	*		
F14-3	198900-7	WIRELESS UNIT SET	O	1	*		
F14-4	198900-7	WIRELESS UNIT SET	<	1			
F16	199140-0	GUIDE RAIL 1000 SET		1			
F17	199141-8	GUIDE RAIL 1500 SET		1			
F18	199386-8	HOOK SET		1			
F28	1913K7-3	PARALLEL GUIDE SET(MM)		1			

Prosím uveďte objednáací číslo dílu v objednávce

Datum tisku 30. 10. 2024