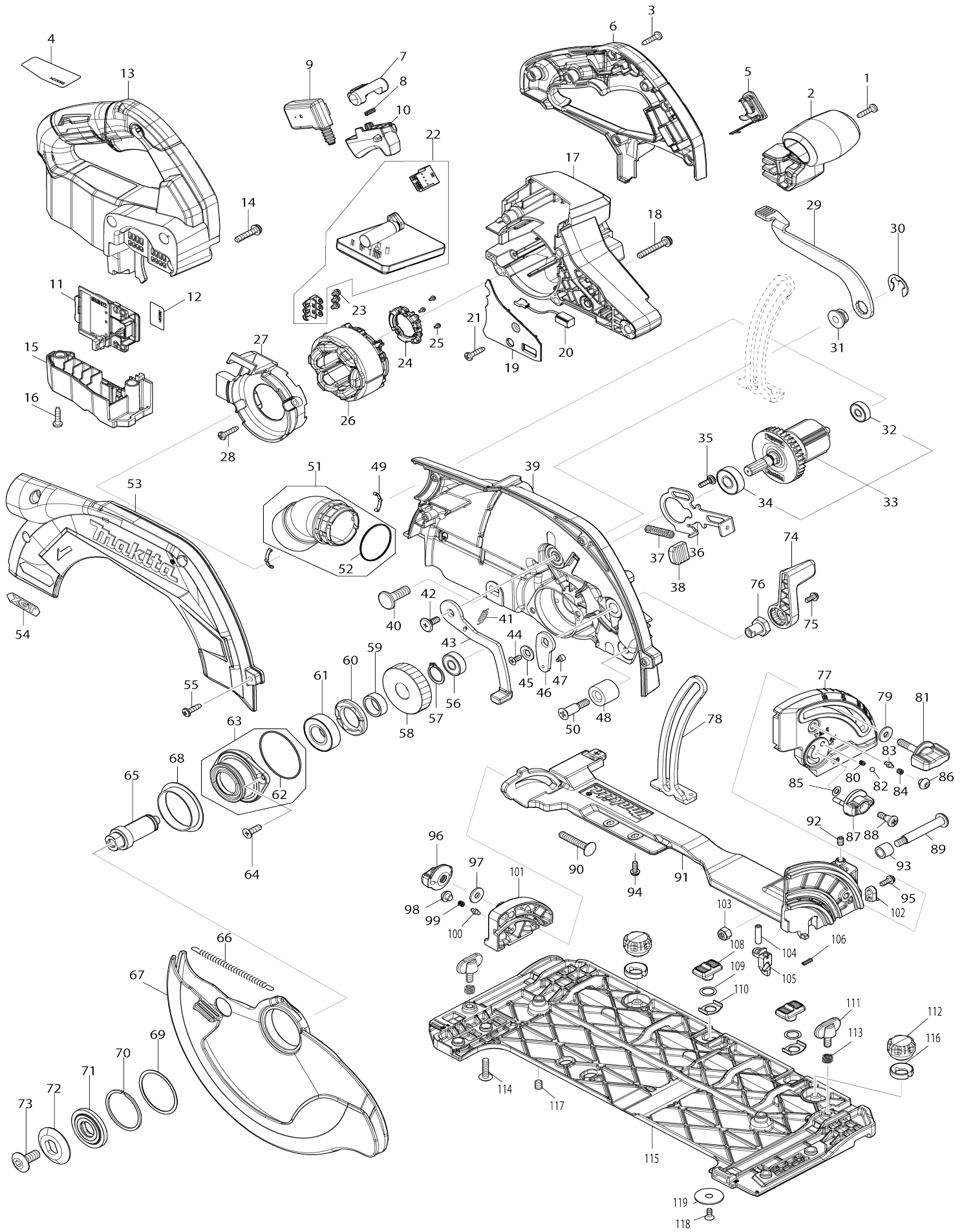


# Model No.HS009G 235MM CORDLESS CIRCULAR SAW



**Model No.HS009G 235MM CORDLESS CIRCULAR SAW**

Obj. č.	Obj. č.	Popis	Možnost záměny	Množství	Nový/Starý	Poznámka 1	Poznámka 2
001	266326-2	šroub 4x18=new265995-6		1			
002	413C21-5	FRONT GRIP		1		p	
003	266326-2	šroub 4x18=new265995-6		6			
004	8114P0-9	HS009G NAME PLATE		1			
005	140F99-0	CAP COMPLETE		1		v	
C10	213A05-9	O-RING16		1		o krou	
006	183U47-6	HANDLE SET		1		dr	
C10	263005-3	vymezovací čep 6		1			
006		INC. 13					
007	419704-7	LOCK OFF BUTTON		1		p	
008	231433-0	vinutá pružina		1		vinut	
009	650008-0	SWITCH C3XB-1LPSPM		1	*	vyp	
009-1	650039-9	SWITCH C3XB-1LPSPM	<	1			
010	413C24-9	SWITCH LEVER		1		p	
011	632P65-6	TERMINAL UNIT		1		termin	
012	8114P6-7	HS009G SERIAL NO. LABEL		1			
013	183U47-6	HANDLE SET		1		dr	
C10	263005-3	vymezovací čep 6		1			
013		INC. 6					
014	911243-8	šroub M5x25		3			
015	141G16-9	TERMINAL HOUSING COMPLETE		1		obal	
C10	263005-3	vymezovací čep 6		1			
016	266326-2	šroub 4x18=new265995-6		2			
017	413C17-6	MOTOR HOUSING		1		obal motoru	
018	911258-5	šroub M5x35 = old 290028		4			
019	413C23-1	LIGHT COVER		1		kryt	
020	620936-3	LED CIRCUIT		1		okruh DCs553 DHK18 0 DHS660 DHS661 D HS782 DHS783 DHS9 00	
021	266326-2	šroub 4x18=new265995-6		1			
022	620H80-4	CONTROLLER		1		ovl	
023	652069-6	FLAT HEAD SCREW M3X6		3			
024	632R96-7	SENSOR UNIT		1		senzor	
025	652093-9	PAN HEAD SCREW M2X5		3	*		
025-1	652119-7	PAN HEAD SCREW M2X6	O	3			
026	629A40-1	STATOR		1		stator	
027	413C22-3	BAFFLE PLATE		1		deska	
028	266326-2	šroub 4x18=new265995-6		2			
029	271453-2	LEVER 132		1		p	
030	257953-6	BOW STOP RING E-12		1		krou	
031	252262-8	COLLERED HEX. NUT M8		1			
032	210022-4	kuličkové ložisko 626 DDW		1			
033	519721-8	ROTOR ASS'Y		1		rotor	
033		INC. 32,34					
034	210059-1	BALL BEARING 600DDW		1			
035	251529-1	+ PAN HEAD SCREW M4X14		1			
036	347676-5	SHAFT LOCK		1		z	
037	233084-5	Druckfeder 6=old233092-6		1		pru	

038	286039-9	CAP		1	v	
039	141G17-7	BLADE CASE COMPLETE		1	kryt no	
C10	213434-0	o-kroužek		1	o-krou	
C20	263005-3	vymezovací čep 6		1		
C30	8004T1-0	SCALE LABEL		1		
040	266396-1	FLATHEAD SQUARENECKBOLT M8X24		1		
041	232563-0	TENSION SPRING 4		1	pru	
042	265A60-7	+ PAN HEAD SCREW M5X14		1		
043	162686-9	OPEN LEVER		1	p	
044	265135-6	+ COUNTERSUNK HEAD SCREW M4X10		1		
045	347577-7	WASHER 6		1	podlo	
046	347576-9	OPEN PLATE		1	deska	
047	265A82-7	HEX. SOCKET HEAD SCREW M3X4		1		
048	262185-2	RUBBER SLEEVE8		1		
049	232674-1	LEAF SPRING		2		
050	251572-0	+ COUNTERSUNK HEAD SCREW M6X30		1		
051	136173-4	DUST NOZZLE ASS'Y		1	pracov	
051		INC. 52				
052	213444-7	O RING 30		1		
053	312C12-2	BLADE CASE COVER		1	kryt no	
054	8032A7-2	XGT LOGO LABEL		1		
055	266034-5	šroub = old 933417		4		
056	210029-0	BALL BEARING 608ZZ		1		
057	961057-5	segrovka vnější S-17		1	segrovka vn	
058	226934-1	HELICAL GEAR 46		1	ozuben	
059	257451-0	RING 17		1		
060	285809-3	kryt lož.se závitem GA9010C		1	kryt lo	
061	210301-0	ložisko=old211275-8		1	lo	
062	213623-7	o kroužek		1	o krou	
063	136192-0	BEARING BOX ASS'Y		1	pouzdro lo	
063		INC. 62				
064	265034-2	šroub M5x16		2		
065	327192-3	SPINDLE		1		
066	232562-2	TENSION SPRING 6		1	pru	
067	312C14-8	SAFETY COVER		1	ochrann	
068	459830-0	SPACER		1	vzp	
069	267337-0	FLAT WASHER 40		1		
070	257452-8	RETAINING RING (EXT) WR-40		1		
071	224360-8	INNER FLANGE 40		1	p	
072	224600-4	OUTER FLANGE 38		1	podlo	
073	265A59-2	HEX.SOCKET HEAD BOLT M8		1		
074	271451-6	LEVER 55		1	p	
075	911113-1	šroub M4x10		1		
076	252275-9	HEX. NUT M4-16		1	matka	
077	312C17-2	FRONT ANGULAR PLATE		1	p	
078	347574-3	DEPTH GUIDE		1	veden	
079	253111-2	podložka		1	podlo	
080	233314-4	pružina aretace momentu 6827		1	pru	
081	265776-8	THUMB SCREW M6X26		1		

082	216008-6	kulička 4		1		kuli	
083	263041-9	SHOULDER PIN 3-5		1			
084	231234-6	221999		1		221999	
085	253811-4	podložka 5		1		podlo	
086	266559-9	H.S.BUTTON HEAD BOLT M6X4		1			
087	450704-8	DIAL 27		1			
088	251370-2	šroub M5 LS1030		1			
089	251528-3	+ PAN HEAD SCREW M6		1			
090	266332-7	R.H SQUARE NECK BOLT M6X35		1			
091	141G18-5	FRAME COMPLETE		1		r	
092	266229-0	šroub M5x8 KP312/LS		1			
093	257580-9	SLEEVE 8		1			
094	265A84-3	PAN HEAD SCREW M4X12 WITH WR		2			
095	911118-1	šroub M4x12		1			
096	252270-9	THUMB NUT M6		1		matka	
097	253111-2	podložka		1		podlo	
098	266559-9	H.S.BUTTON HEAD BOLT M6X4		1			
099	231234-6	221999		1		221999	
100	263041-9	SHOULDER PIN 3-5		1			
101	312C18-0	REAR ANGULAR PLATE		1		zadn	
102	419632-6	POSITION PLATE		1			
103	252014-7	samojistící matice M6		1		samojist	
104	265A83-5	H.S.SET SCREW(FLAT POINT)M5X 20		1			
105	412210-1	SLIDER		1		kluz	
106	233025-1	vinutá pružina 2 6702DW		1			
108	458092-7	SLIDE LEVER		2		tla	
109	253932-2	pérová podložka 10		2		p	
110	345977-5	PLATE		2		podlo	
111	265701-9	THUMB SCREW M6X14		2			
112	265775-0	THUMB SCREW M4X3		2			
113	233376-2	pružina MT952		2		pru	
114	265181-9	+TRUSS HEAD SCREW M5X20		4			
115	312C15-6	BASE		1		z	
116	419627-9	doraz SP6000		2		doraz SP6000	
117	266225-8	H.S.SET SCREW(FLAT POINT)M6X 8		2			
118	912112-6	šroub ZH M4x10		2			
119	345748-0	LOCK WASHER		2		podlo	
A01	162687-7	SUB BASE		1			
A02	E-01909	TCT BLADE 235X24T WOOD EFFI CUT		1			
A03	783204-6	klíč inbus 6		1		kl	
A04	***DC40RA	DC40RA FAST CHARGER		1			
A04		COMPO-PARTS					
A05	821866-3	PLASTIC CARRYING CASE		1			
C10	162271-8	přezka kufru		2			
C20	453229-1	THUMB SCREW M12X8		1			
A06	412393-7	BATTERY COVER		2			
A07	191L47-8	BATTERY BL4050F SET		2			
F06	194367-7	vodící lišta SP6000 3000mm		1			
F07	194368-5	vodící lišta 1400mm=old192516-		1			

		0					
F09	194416-0	SHEET 10000 SET		1			
F10	194417-8	RUBBER SHEET 10000 SET		1			
F11	194418-6	POSITION SHEET 1400 SET		1			
F13	194910-2	POSITION SHEET 1900 SET		1			
F15	194925-9	GUIDE RAIL 1900 SET		1			
F17	195546-0	FRONT CUFF 24 SET		1			
F18	196664-7	BEVEL GUIDE SET		1			
F20	198885-7	GUIDE RAIL CONNECTOR SET(EU )		1			
F21	199140-0	GUIDE RAIL 1000 SET		1			
F22	199141-8	GUIDE RAIL 1500 SET		1			
F28	1913K7-3	PARALLEL GUIDE SET(MM)		1			

Prosím uveďte objednáací číslo dílu v objednávce

Datum tisku 30. 10. 2024