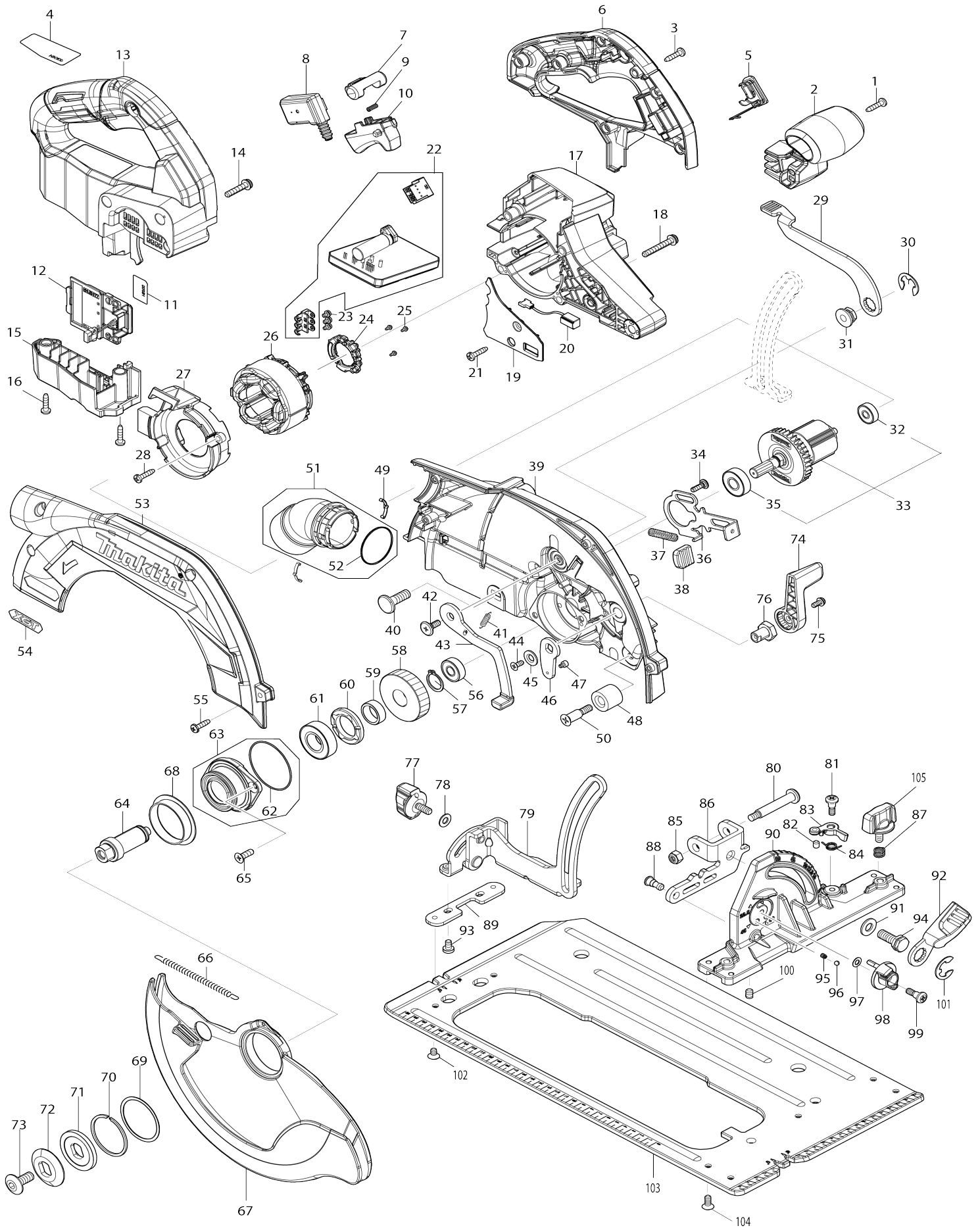


Model No.HS010G 235MM CORDLESS CIRCULAR SAW



Model No.HS010G 235MM CORDLESS CIRCULAR SAW

Obj. č.	Obj. č.	Popis	Možnost záměny	Množství	Nový/Starý	Poznámka 1	Poznámka 2
001	266326-2	šroub 4x18=new265995-6		1			
002	413C21-5	FRONT GRIP		1		p	
003	266326-2	šroub 4x18=new265995-6		6			
004	8114R3-7	HS010G NAME PLATE		1			
005	140F99-0	CAP COMPLETE		1		v	
C10	213A05-9	O-RING16		1		o krou	
006	183U47-6	HANDLE SET		1		dr	
C10	263005-3	vymezovací čep 6		1			
006		INC. 13					
007	419704-7	LOCK OFF BUTTON		1		p	
008	650008-0	SWITCH C3XB-1LPSPM		1	*	vyp	
008-1	650039-9	SWITCH C3XB-1LPSPM	<	1			
009	231433-0	vinutá pružina		1		vinut	
010	413C24-9	SWITCH LEVER		1		p	
011	8114R5-3	HS010G SERIAL NO. LABEL		1			
012	632P65-6	TERMINAL UNIT		1		termin	
013	183U47-6	HANDLE SET		1		dr	
C10	263005-3	vymezovací čep 6		1			
013		INC. 6					
014	911243-8	šroub M5x25		3			
015	141G16-9	TERMINAL HOUSING COMPLETE		1		obal	
C10	263005-3	vymezovací čep 6		1			
016	266326-2	šroub 4x18=new265995-6		2			
017	413C17-6	MOTOR HOUSING		1		obal motoru	
018	911258-5	šroub M5x35 = old 290028		4			
019	413C23-1	LIGHT COVER		1		kryt	
020	620936-3	LED CIRCUIT		1		okruh DCs553 DHK18 0 DHS660 DHS661 D HS782 DHS783 DHS9 00	
021	266326-2	šroub 4x18=new265995-6		1			
022	620H80-4	CONTROLLER		1		ovl	
023	652069-6	FLAT HEAD SCREW M3X6		3			
024	632R96-7	SENSOR UNIT		1		senzor	
025	652093-9	PAN HEAD SCREW M2X5		3	*		
025-1	652119-7	PAN HEAD SCREW M2X6	O	3			
026	629A40-1	STATOR		1		stator	
027	413C22-3	BAFFLE PLATE		1		deska	
028	266326-2	šroub 4x18=new265995-6		2			
029	271453-2	LEVER 132		1		p	
030	257953-6	BOW STOP RING E-12		1		krou	
031	252262-8	COLLERED HEX. NUT M8		1			
032	210022-4	kuličkové ložisko 626 DDW		1			
033	519721-8	ROTOR ASS'Y		1		rotor	
033		INC. 32,35					
034	251529-1	+ PAN HEAD SCREW M4X14		1			
035	210059-1	BALL BEARING 6000DDW		1			
036	347676-5	SHAFT LOCK		1		z	
037	233084-5	Druckfeder 6=old233092-6		1		pru	

038	286039-9	CAP		1	v	
039	141G17-7	BLADE CASE COMPLETE		1	kryt no	
C10	213434-0	o-kroužek		1	o-krou	
C20	263005-3	vymezovací čep 6		1		
C30	8004T1-0	SCALE LABEL		1		
040	266396-1	FLATHEAD SQUARENECKBOLT M8X24		1		
041	232563-0	TENSION SPRING 4		1	pru	
042	265A60-7	+ PAN HEAD SCREW M5X14		1		
043	162686-9	OPEN LEVER		1	p	
044	265135-6	+ COUNTERSUNK HEAD SCREW M4X10		1		
045	347577-7	WASHER 6		1	podlo	
046	347576-9	OPEN PLATE		1	deska	
047	265A82-7	HEX. SOCKET HEAD SCREW M3X4		1		
048	262185-2	RUBBER SLEEVE8		1		
049	232674-1	LEAF SPRING		2		
050	251572-0	+ COUNTERSUNK HEAD SCREW M6X30		1		
051	136173-4	DUST NOZZLE ASS'Y		1	pracov	
051		INC. 52				
052	213444-7	O RING 30		1		
053	312C12-2	BLADE CASE COVER		1	kryt no	
054	8032A7-2	XGT LOGO LABEL		1		
055	266034-5	šroub = old 933417		4		
056	210029-0	BALL BEARING 608ZZ		1		
057	961057-5	segrovka vnější S-17		1	segrovka vn	
058	226934-1	HELICAL GEAR 46		1	ozuben	
059	257451-0	RING 17		1		
060	285809-3	kryt lož.se závitem GA9010C		1	kryt lo	
061	210301-0	ložisko=old211275-8		1	lo	
062	213623-7	o kroužek		1	o krou	
063	136192-0	BEARING BOX ASS'Y		1	pouzdro lo	
063		INC. 62				
064	327192-3	SPINDLE		1		
065	265034-2	šroub M5x16		2		
066	232562-2	TENSION SPRING 6		1	pru	
067	312C14-8	SAFETY COVER		1	ochrann	
068	459830-0	SPACER		1	vzp	
069	267337-0	FLAT WASHER 40		1		
070	257452-8	RETAINING RING (EXT) WR-40		1		
071	224360-8	INNER FLANGE 40		1	p	
072	224600-4	OUTER FLANGE 38		1	podlo	
073	265A59-2	HEX.SOCKET HEAD BOLT M8		1		
074	271451-6	LEVER 55		1	p	
075	911113-1	šroub M4x10		1		
076	252275-9	HEX. NUT M4-16		1	matka	
077	265798-8	THUMB SCREW M6X14		1		
078	941151-9	podložka 6 = old 253047-5		1	podlo	
079	162813-8	DEPTH GUIDE COMPLETE		1	doraz	
080	251220-1	+ PAN HEAD SCREW M6		1		
081	251370-2	šroub M5 LS1030		1		

082	266264-8	H.S.SET SCREW(FLAT POINT)M5X6	1		
083	319239-7	STOPPER	1		
084	231665-9	TORSION SPRING 7	1		
085	252014-7	samojistí matice M6	1		samojist
086	347689-6	ANGULAR GUIDE	1		vedeni
087	233376-2	pružina MT952	1		pru
088	256351-1	SHOULDER PIN 6-7	1		
089	347124-4	PLATE	1		deska
090	312C19-8	ANGULAR PLATE	1		deska
091	941201-0	podložka 8	1		podlo
092	271461-3	LEVER 56	1		p
093	265B04-3	+ FLAT HEAD SCREW M5X8	2		podlo
094	265B05-1	HEX. BOLT M8X20	1		
095	233314-4	pružina aretace momentu 6827	1		pru
096	216008-6	kulička 4	1		kuli
097	253811-4	podložka 5	1		podlo
098	412510-9	DIAL 27	1		
099	251370-2	šroub M5 LS1030	1		
100	266208-8	H.S.SET SCREW(CUP POINT)M6X8	1		
101	257953-6	BOW STOP RING E-12	1		krou
102	912202-5	COUNTERSUNK HEAD SCREW M5X8	2		
103	347688-8	BASE	1		z
104	912212-2	šroub ZH M5x12	5		
105	265798-8	THUMB SCREW M6X14	1		
A01	164367-1	paralelní doraz N5900B	1		
A02	E-01909	TCT BLADE 235X24T WOOD EFFI CUT	1		
A03	783204-6	klíč inbus 6	1		kl
A04	***DC40RA	DC40RA FAST CHARGER	1		
A04		COMPO-PARTS			
A05	821866-3	PLASTIC CARRYING CASE	1		
C10	162271-8	přezka kufru	2		
C20	453229-1	THUMB SCREW M12X8	1		
A06	412393-7	BATTERY COVER	2		
A07	191L47-8	BATTERY BL4050F SET	2		
F01	195546-0	FRONT CUFF 24 SET	1		

Prosím uveďte objednací číslo dílu v objednávce

Datum tisku 30. 10. 2024