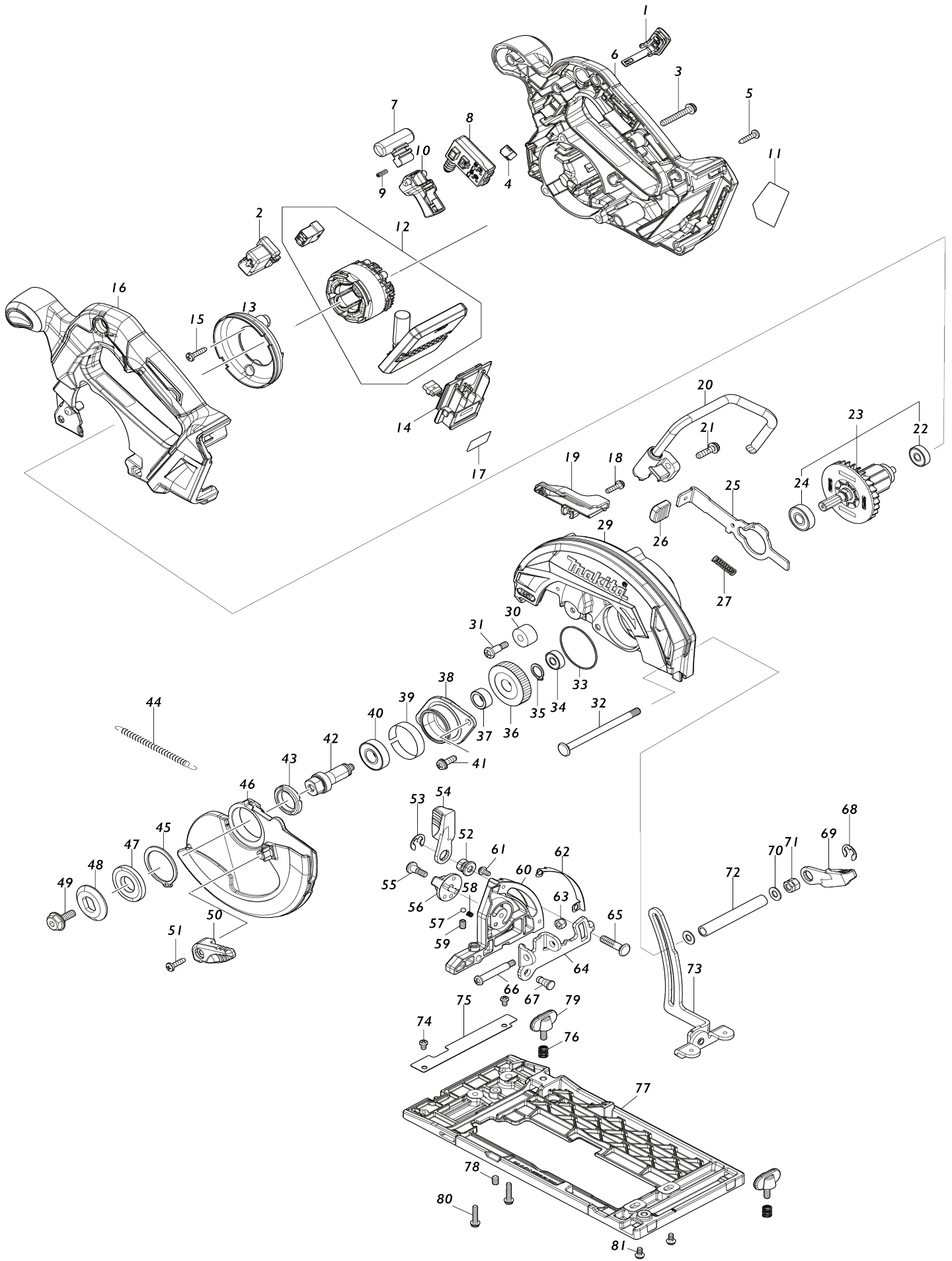


Model No.HS012G 165MM CORDLESS CIRCULAR SAW



Model No.HS012G 165MM CORDLESS CIRCULAR SAW

Obj. č.	Obj. č.	Popis	Možnost záměny	Množství	Nový/Starý	Poznámka 1	Poznámka 2
001	140G30-2	CAP COMPLETE		1		v	
C10	213A05-9	O-RING16		1		o krou	
002	459256-6	HOLDER		1			
003	911258-5	šroub M5x35 = old 290028		3			
004	620936-3	LED CIRCUIT		1		okruh DCs553 DHK18 0 DHS660 DHS661 D HS782 DHS783 DHS9 00	
005	265995-6	šroub 4x18 = old 265941-9		8			
006	136839-6	MOTOR HOUSING ASSEMBLY		1		obal motoru	
C10	263005-3	vymezovací čep 6		1			
007	419704-7	LOCK OFF BUTTON		1		p	
008	650008-0	SWITCH C3XB-1LPSPM		1	*	vyp	
008-1	650039-9	SWITCH C3XB-1LPSPM	O	1			
009	231433-0	vinutá pružina		1		vinut	
010	413N46-5	SWITCH LEVER		1		p	
011	8586D6-4	HS012G NAME PLATE		1			
012	629B81-3	STATOR COMPLETE		1		stator	
013	413N45-7	BAFFLE PLATE		1		deska	
014	632P65-6	TERMINAL UNIT		1		termin	
015	265995-6	šroub 4x18 = old 265941-9		2			
016	136840-1	HANDLE COVER ASSEMBLY		1		kryt	
C10	263005-3	vymezovací čep 6		1			
017	8586E4-5	HS012G SERIAL NO. LABEL		1			
018	911128-8	P.H.SCREW M4X16 WITH WR		1			
019	455483-3	DUCT		1			
020	122D67-3	HOOK ASSEMBLY		1		h	
021	911233-1	šroub M5x20		2			
022	210022-4	kuličkové ložisko 626 DDW		1			
023	519778-9	ROTOR ASSEMBLY		1		rotor	
023		INC. 22,24					
024	211491-2	BALL BEARING 609DDW		1			
025	346837-4	SHAFT LOCK		1			
026	286039-9	CAP		1		v	
027	233117-6	pružina 6 GA7010C/9010C/S		1		pru	
029	183Y42-0	BLADE CASE SET		1		kryt no	
C10	213953-6	o-kroužek 24		1		o-krou	
C20	8007R2-2	XGT LOGO LABEL		1			
030	262552-1	RUBBER SLEEVE 6		1			
031	265115-2	+ PAN HEAD SCREW M5		1			
032	266194-3	FLAT HEAD SCREW M6X90		1			
033	213565-5	O RING 42		1			
034	210206-4	BALL BEARING 606ZZ		1			
035	961052-5	segrovka vnější S-12		1		segrovka	
036	227A40-1	HELICAL GEAR 52		1		ozuben	
037	257349-1	SLEEVE 12		1			
038	319212-7	BEARING BOX		1		pouzdro lo	
039	347B30-5	THICKNESS RING 34		1		krou	
040	211131-2	kuličkové ložisko 6001DDW =old		1		lo	

		922041				
041	911223-4	šroub M5x16		2		
042	326459-6	SPINDLE		1		
043	285845-9	BEARING RETAINER 19-29		1	kryt lo	
044	231878-2	TENSION SPRING 4		1	pru	
045	961152-1	RETAINING RING (EXT) S-34		1	segrovka vn	
046	312D77-0	SAFETY COVER		1	kryt	
047	224593-5	INNER FLANGE 35		1	podlo	
048	224409-4	OUTER FLANGE 35		1	p	
049	266924-2	HEX. SOCKET HEX. BOLT M6X18		1		
050	271474-4	LEVER 37		1	p	
051	266034-5	šroub = old 933417		1		
052	252320-0	HEX. NUT M6		1	matka	
053	257982-9	BOW STOP RING E-8		1	krou	
054	271446-9	LEVER 45		1	p	
055	251370-2	šroub M5 LS1030		1		
056	413N47-3	DIAL 27		1	veden	
057	216008-6	kulička 4		1	kuli	
058	233314-4	pružina aretace momentu 6827		1	pru	
059	266436-5	H.S.SET SCREW(FLAT POINT)M5X 8		1		
060	312D78-8	ANGULAR PLATE		1	deska	
061	251358-2	+ PAN HEAD SCREW M4X8		2		
062	347A92-7	BEVEL GUIDE		1	veden	
063	252103-8	zajišťovací šroub M5-8		1		
064	347A90-1	ANGULAR GUIDE		1	veden	
065	266309-2	CAP SQUARE NECK BOLT M6X26		1		
066	265056-2	šroub M5 5604R		1		
067	256511-5	SHOULDER PIN 6-7		1		
068	257982-9	BOW STOP RING E-8		1	krou	
069	271446-9	LEVER 45		1	p	
070	941151-9	podložka 6 = old 253047-5		2	podlo	
071	264103-6	HEX. NUT M6		1	matka DHS680	
072	332126-3	PIPE 6		1	trubka DHS680	
073	162C19-6	DEPTH GUIDE COMPLETE		1	veden	
074	911102-6	PAN HEAD SCREW M4X6		2		
075	347A93-5	TOP GUIDE		1	veden	
076	231456-8	COMPRESSION SPRING 7		2		
077	312D76-2	BASE		1	z	
078	266436-5	H.S.SET SCREW(FLAT POINT)M5X 8		1		
079	265720-5	křídlový šroub M5x14		2	k	
080	911138-5	P.H.SCREW M4X20 WITH WR		2		
081	265648-7	PAN HEAD SCREW M4X8		2		
A01	783203-8	klíč imbus 5		1		
A02	196961-1	DUST NOZZLE SET		1		
C10	911128-8	P.H.SCREW M4X16 WITH WR		1		
A03	B-62985	TCT BLADE165X25T WOOD EFFIC UT		1		
A04	164095-8	vodítko		1	doraz 5704R 5008M G SS610 HS630 HS3 00 HS003G	
A05	821551-8	systainer Makpac 395x295x210		1		

		mm				
C10	453974-8	LATCH		4		spona Makpacu
A06	8065G4-7	HS012GZ01 INDICATION LABEL		1		
A06	8065G6-3	HS012GD201 INDICATION LABEL		1		
A07	8065G5-5	HS012GZ01 PLASTIC CASE LABEL		2		
A07	8065G7-1	HS012GD201 PLASTIC CASE LABEL		2		
A08	8357J2-7	INNER TRAY		1		
A09	412393-7	BATTERY COVER		1		
A10	***DC40RA	DC40RA FAST CHARGER		1		
A10		COMPO-PARTS				
A11	191B36-3	BATTERY BL4025 SET		2		
F01	199140-0	GUIDE RAIL 1000 SET		1		
F02	199141-8	GUIDE RAIL 1500 SET		1		
F08	194367-7	vodící lišta SP6000 3000mm		1		
F09	194368-5	vodící lišta 1400mm=old192516-0		1		
F17	194925-9	GUIDE RAIL 1900 SET		1		
F23	198885-7	GUIDE RAIL CONNECTOR SET(EU)		1		

Prosím uveďte objednáčíslo dílu v objednávce

Datum tisku 30. 10. 2024