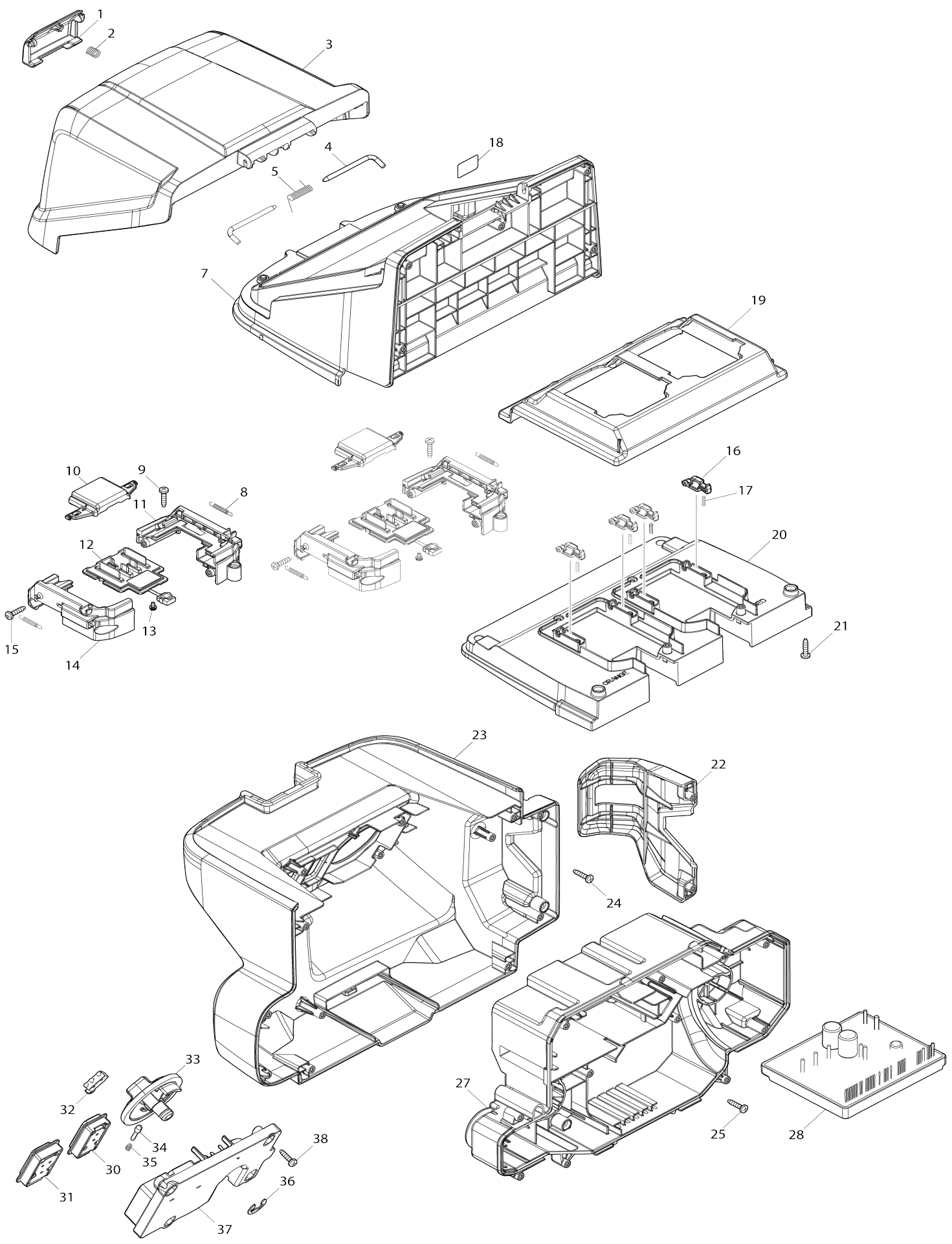
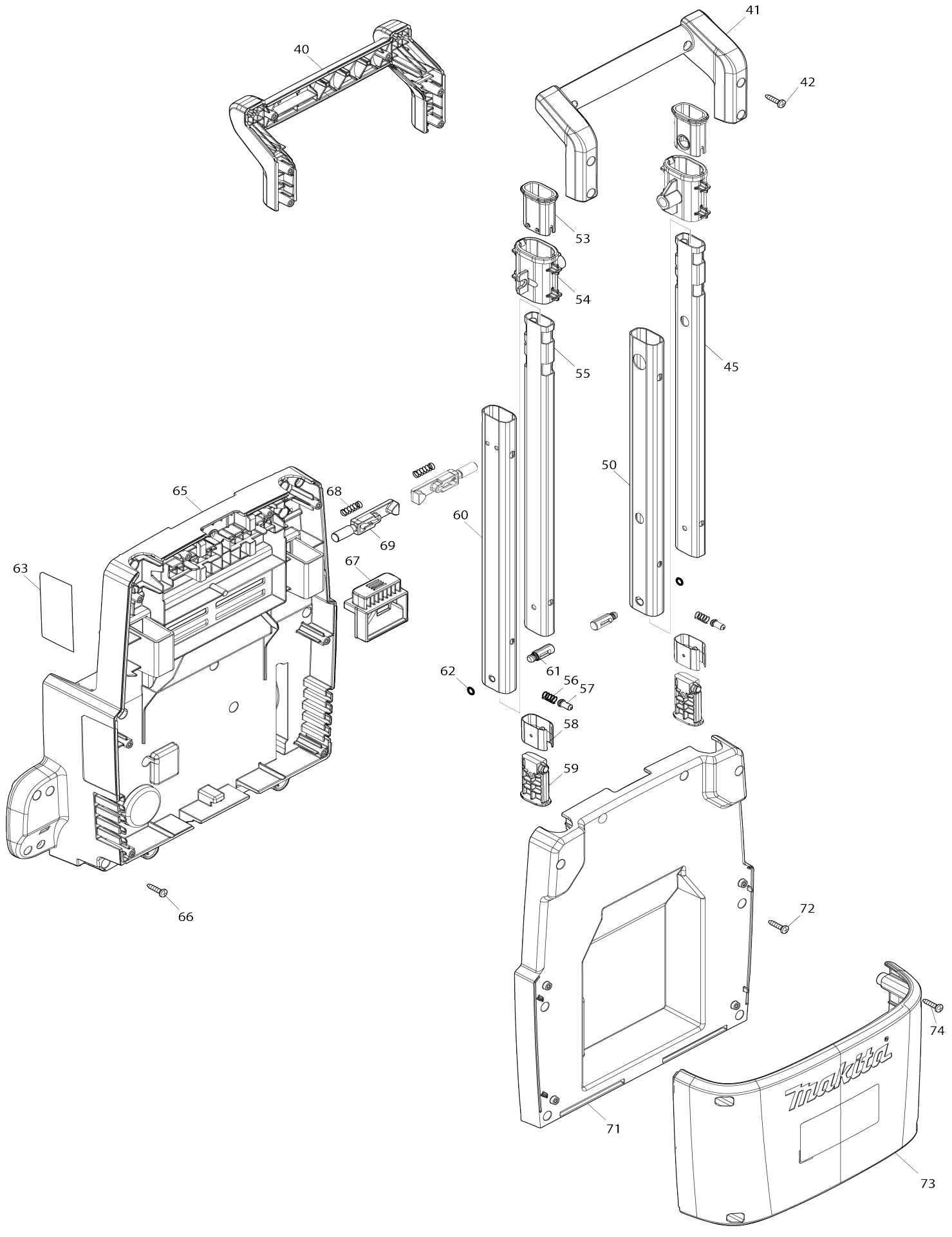


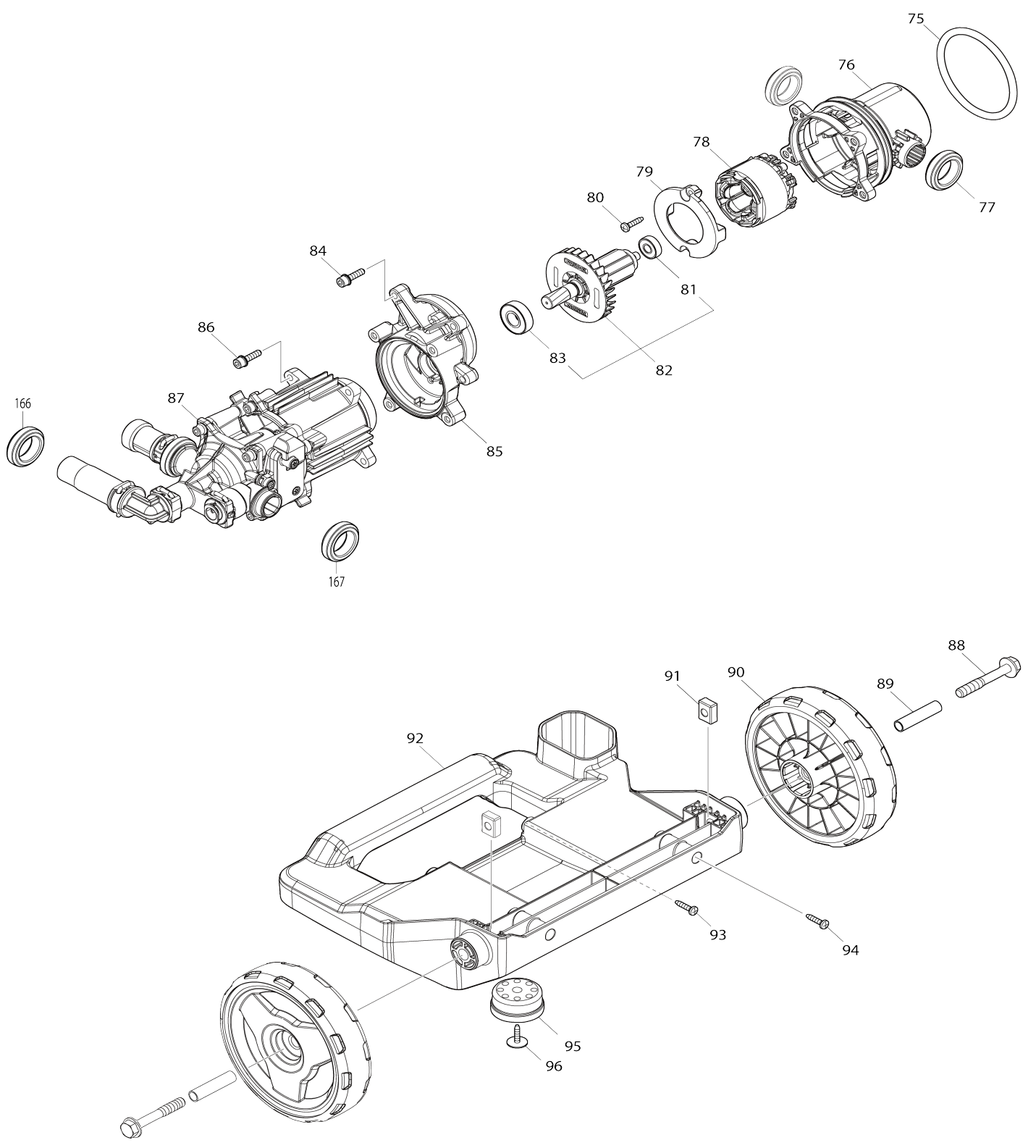
Model No.HW001G CORDLESS HIGH PRESSURE WASHER



Model No.HW001G CORDLESS HIGH PRESSURE WASHER

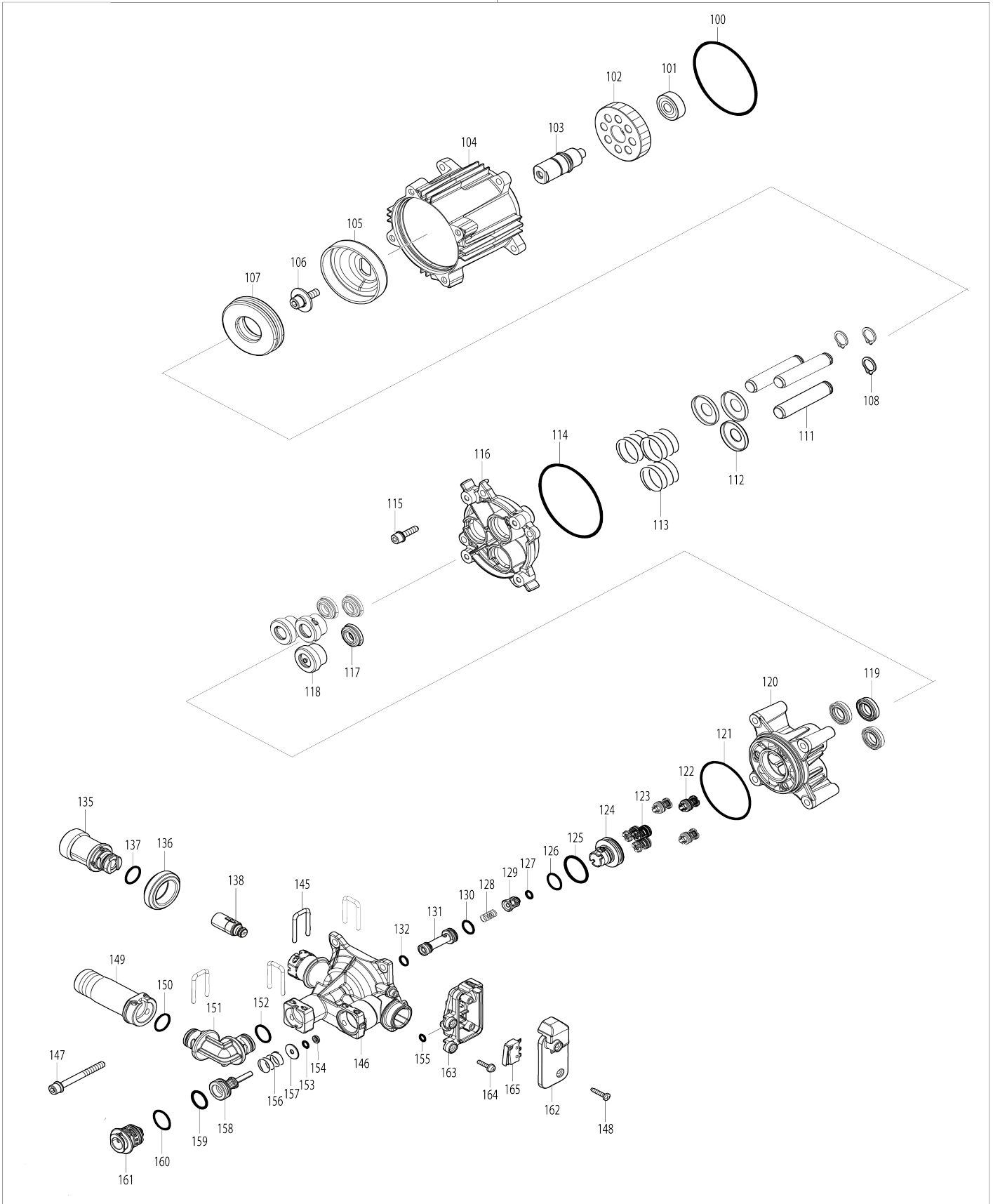


Model No.HW001G CORDLESS HIGH PRESSURE WASHER



Model No.HW001G CORDLESS HIGH PRESSURE WASHER

87



Model No.HW001G CORDLESS HIGH PRESSURE WASHER

Obj. č.	Obj. č.	Popis	Možn ost zá měny	Množ ství	Nový/ Starý	Poznámka 1	Poznámka 2
001	413T26-7	LOCK LEVER		1		p	
002	232821-4	COMPRESSION SPRING 6		1		pru	
003	413T25-9	BATTERY BOX COVER		1		kryt baterie	
004	327C24-2	ROD 4		2		ty	
005	232813-3	TORSION SPRING 5		1		pru	
007	137021-0	BATTERY BOX ASSEMBLY		1		pouzdro baterie	
C10	263005-3	vymezovací čep 6		2			
008	232722-6	TENSION SPRING 4		4		pru	
009	266326-2	šroub 4x18=new265995-6		4			
010	413B40-5	TERMINAL COVER		2		kryt kontaktu VC001 G	
011	183Y95-9	TERMINAL CASE SET		2		kontakt	
C10	263005-3	vymezovací čep 6		4			
011		INC. 14					
012	632T08-2	TERMINAL UNIT		2		patice VC001-005G	
013	652031-1	PAN HEAD SCREW M3X6		4			
014	183Y95-9	TERMINAL CASE SET		2		kontakt	
C10	263005-3	vymezovací čep 6		4			
014		INC. 11					
015	266326-2	šroub 4x18=new265995-6		4			
016	413B41-3	LOCK LEVER		4			
017	232472-3	COMPRESSION SPRING 2		4		pru	
018	8141C2-5	HW001G SERIAL NO. LABEL		1			
019	413T33-0	TERMINAL PLATE COVER		1		kryt kontaktu	
020	413T30-6	TERMINAL PLATE		1		koncovka	
021	266326-2	šroub 4x18=new265995-6		4			
022	413T29-1	ACCESSORY HOLDER S		1		dr	
023	137026-0	FRONT HOUSING ASS'Y		1		p	
C10	8071J7-1	INDICATION LABEL		1			
C20	8025F3-0	XGT LOGO LABEL		1			
024	266326-2	šroub 4x18=new265995-6		2			
025	266326-2	šroub 4x18=new265995-6		3			
027	137019-7	INNER HOUSING ASSEMBLY		1		obal	
C10	263005-3	vymezovací čep 6		1			
028	620M65-0	CONTROLLER		1		ovlada	
030	620M67-6	SWITCH CIRCUIT COMPLETE		1		sp	
C10	539267-8	SWITCH PLATE ASS'Y		1			
C20	266490-9	TAPPING SCREW PT 2X6		3			
031	620M68-4	INDICATION CIRCUIT COMPLETE		1		indika	
C10	136981-3	SWITCH PLATE ASS'Y		1			
C20	266490-9	TAPPING SCREW PT 2X6		3			
032	632V07-6	SWITCH UNIT		1		vyp	
033	413T27-5	SWITCH DIAL 55		1		vyp	
034	413U71-8	SWITCH CAM		1		p	
035	232819-1	COMPRESSION SPRING 3		1		pru	
036	961016-9	zajišťovací kroužek E-10		1			
037	413T37-2	SWITCH PANEL		1		sp	
038	266326-2	šroub 4x18=new265995-6		4			

040	1830A1-1	GRIP SET		1		dr	
040		INC. 41					
041	1830A1-1	GRIP SET		1		dr	
041		INC. 40					
042	266326-2	šroub 4x18=new265995-6		6			
045	327C41-2	UPPER PIPE R		1		horn	
050	327C43-8	LOWER PIPE R		1		spodn	
053	413T20-9	UPPER STOPPER		2		horn	
054	413T19-4	PIPE HOLDER		2		dr	
055	327C42-0	UPPER PIPE L		1		horn	
056	232820-6	COMPRESSION SPRING 6		2		pru	
057	327C81-0	LOCK PIN 5		2			
058	413T22-5	UPPER PIPE STOPPER		2		zar	
059	413T21-7	LOWER STOPPER		2		spodn	
060	327C44-6	LOWER PIPE L		1		spodn	
061	413T38-0	STOPPER PIN		2			
062	213005-3	O RING 5		2		o krou	
063	8141C0-9	HW001G NAME PLATE		1			
065	137020-2	REAR HOUSING ASSEMBLY		1		zadn	
C10	263005-3	vymezovací čep 6		1			
066	266326-2	šroub 4x18=new265995-6		23			
067	413T18-6	LOCK BUTTON		1		tla	
068	233068-3	COMPRESSION SPRING 6		2		pru	
069	413T34-8	LOCK PIN		2			
071	413T15-2	REAR COVER		1		zadn	
072	266326-2	šroub 4x18=new265995-6		8			
073	141T09-4	ACCESSORY HOLDER R COMPLETE		1		dr	
C10	809R02-9	CAUTION LABEL		1			
074	266326-2	šroub 4x18=new265995-6		4			
075	422250-1	RECEIVE RUBBER		1		guma	
076	458326-8	MOTOR HOUSING		1		obal motoru	
077	422409-0	RUBBER CUSHION		2		pry	
078	629C40-3	STATOR		1		stator	
079	458327-6	BAFFLE PLATE		1		deska	
080	266326-2	šroub 4x18=new265995-6		2			
081	210062-2	ložisko MT952		1		kuli	
082	519830-3	ROTOR ASS'Y		1		rotor	
082		INC. 81,83					
083	211131-2	kuličkové ložisko 6001DDW =old 922041		1		lo	
084	922233-6	H.S.H.BOLT M5X20 WITH WR		4			
085	161823-2	GEAR HOUSING COMPLETE		1		obal	
C10	263002-9	vymezovací čep 4		2			
086	922233-6	H.S.H.BOLT M5X20 WITH WR		4			
087	122F16-2	PUMP ASSEMBLY		1			
087		INC.100-138,145-165					
088	265D26-5	HEX. BOLT M8X55 WITH G		2			
089	257A23-7	SLEEVE 8		2		pouzdro	
090	413T32-2	WHEEL 140		2		kolo 140	
091	327C28-4	PLATE		2		tal	
092	413T23-3	BOTTOM PLATE		1		spodn	

093	266326-2	šroub 4x18=new265995-6		2		
094	266326-2	šroub 4x18=new265995-6		2		
095	422A59-7	FOOT RUBBER		3		guma
096	252274-1	TAPPING SCREW 4X18 WITH W		3		
100	213706-3	O RING 67		1		o krou
101	210032-1	BALL BEARING 628DDW		1		kul
102	221597-8	HELICAL GEAR 47		1		excentr
103	327076-5	SPINDLE		1		h
104	161821-6	PUMP HOUSING COMPLETE		1		obal pumpy
105	347B66-4	WOBBLE PLATE 8.5		1		deska
106	265D25-7	H.S.H.BOLT M6X20 WITH W		1		
107	210275-5	THRUST BALL BEARING 2454		1		kul
108	961052-5	segrovka vnější S-12		3		segrovka
111	327075-7	PISTON PIN 12		3		
112	347340-8	SPRING RETAINER C		3		pru
113	232434-1	COMPRESSION SPRING 22		3		pru
114	213706-3	O RING 67		1		o krou
115	922233-6	H.S.H.BOLT M5X20 WITH WR		4		
116	319670-7	PISTON SYLINDER		1		v
117	213861-1	OIL SEAL 12		3		t
118	413T06-3	SEAL HOLDER 12		3		veden
119	422A58-9	PACKING 12		3		obal 12
120	312E45-9	PISTON HOUSING		1		obal
121	213656-2	o-kroužek 53		1		o krou
122	141S01-4	VALVE COMPLETE B		3		v
123	141S00-6	VALVE COMPLETE A		3		v
124	413T11-0	VALVE HOLDER		1		dr
125	213A49-9	O-RING 22		1		o krou
126	213238-0	O-RING 13		1		o krou
127	213005-3	O RING 5		1		o krou
128	232433-3	COMPRESSION SPRING 6		1		pru
129	458322-6	SPRING RETAINER A		1		pru
130	213055-8	o-kroužek 10		1		o krou
131	413T10-2	ADJUST HOLDER		1		dr
132	213011-8	O Ring = old 461009		1		o krou
135	413T05-5	INFLOW JOINT		1		
136	422409-0	RUBBER CUSHION		1		pry
137	213176-6	o kroužek		1		o krou
138	137025-2	RELIEF VALVE ASS'Y		1		pojistn
C10	213005-3	O RING 5		1		o krou
145	327C22-6	U TYPE PIN 3		4		
146	312E46-7	PUMP HEAD		1		hlava
147	265A33-0	H.S.H.BOLT M5X50 WITH WR		4		
148	266130-9	šroub PT 3X		2		
149	327C25-0	OUTFLOW JOINT		1		
150	213176-6	o kroužek		1		o krou
151	413T12-8	JOINT		1		kloub
152	213176-6	o kroužek		1		o krou
153	213A64-3	O-RING 4		1		o krou
154	413T07-1	POLYACETAL WASHER 4B		1		podlo
155	213A64-3	O-RING 4		1		o krou
156	232429-4	COMPRESSION SPRING 11		1		pru

157	413T08-9	POLYACETAL WASHER 4A		1		podlo	
158	413T04-7	PRESSURE PIN		1		tlakov	
159	213922-7	O-RING 14		1		o krou	
160	213223-3	O RING 16		1			
161	458310-3	PUMP HEAD CAP		1		v	
162	183Y99-1	SWITCH BOX SET		1		obal vyp	
162		INC. 163					
163	183Y99-1	SWITCH BOX SET		1		obal vyp	
163		INC. 162					
164	911028-2	pan head screw M3x16		2			
165	632V08-4	SWITCH UNIT		1		vyp	
166	422409-0	RUBBER CUSHION		1		pry	
167	422409-0	RUBBER CUSHION		1		pry	
A01	1910R1-6	HOSE ASSEMBLY SET		1			
A02	1910R2-4	STRAINER ASSEMBLY SET		1			
A03	197842-2	TRIGGER GUN SET		1			
A04	197824-4	CYCLONE JET NOZZLE SET		1			
A05	126766-5	HIGH PRESSURE HOSE 5M		1			
A06	191U84-6	EXTENSION SET		1			
A07	1912Y4-1	VARIOSPRAY NOZZLE SET		1			
A08	122F22-7	ABSORPTION CONNECTOR G3/4		1			
A09	197879-9	CLEANER PIN SET		1			
A11	412393-7	BATTERY COVER		2			
A12	***DC40RB	DC40RB TWO PORT FAST CHARGER		1			
A12		COMPO-PARTS					
A13	191L47-8	BATTERY BL4050F SET		2			
E01	688163-8	filtr		1		filtr AH3756 DCU180 DHS630 DHS710 DLM 460 DSS610 DTW190 DUH551 DUH651	
F06	1912Y5-9	VARIOSPRAY NOZZLE EXT. SET		1			

Prosím uveďte objednáčíslo dílu v objednávce

Datum tisku 30. 10. 2024