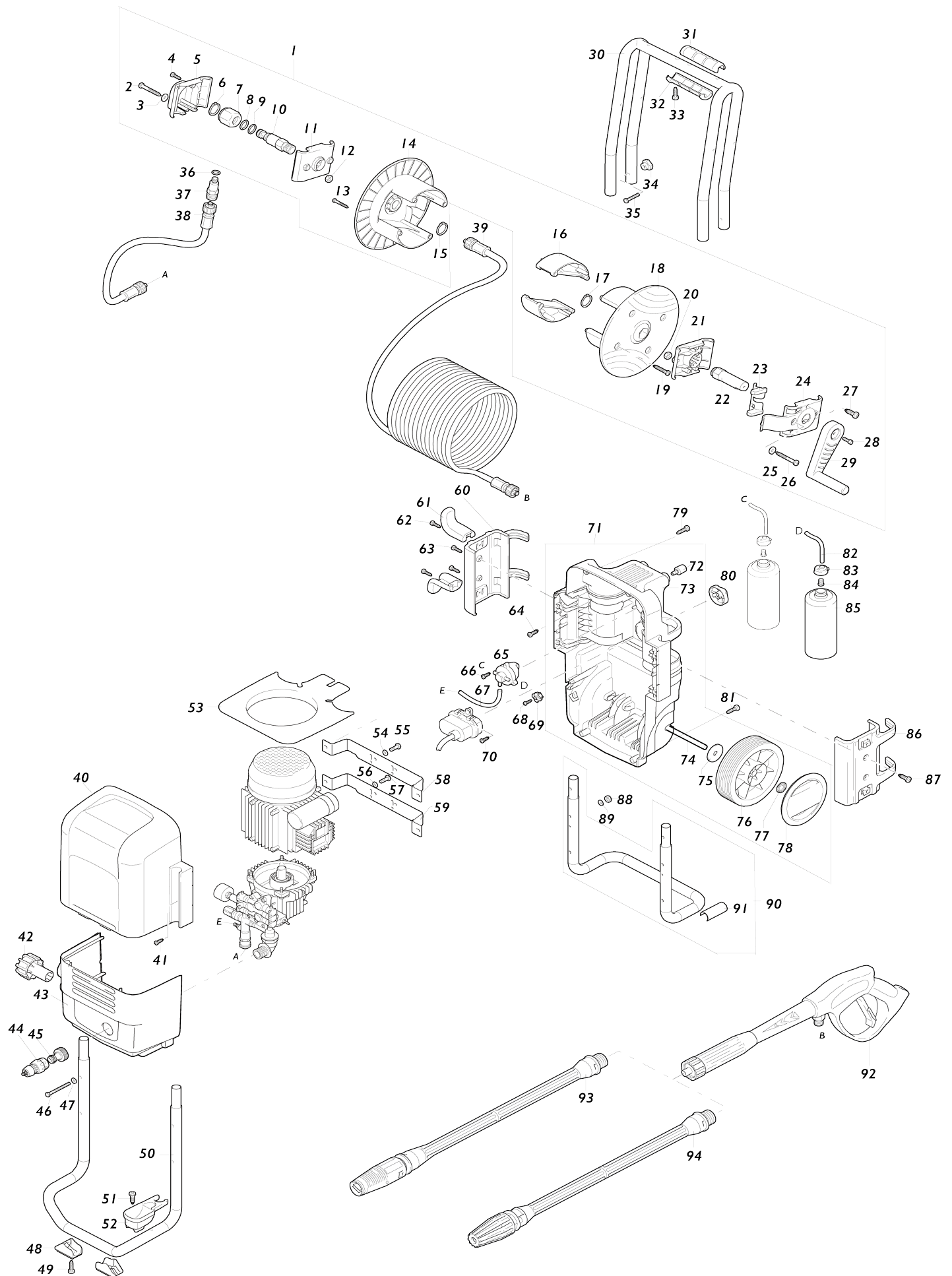
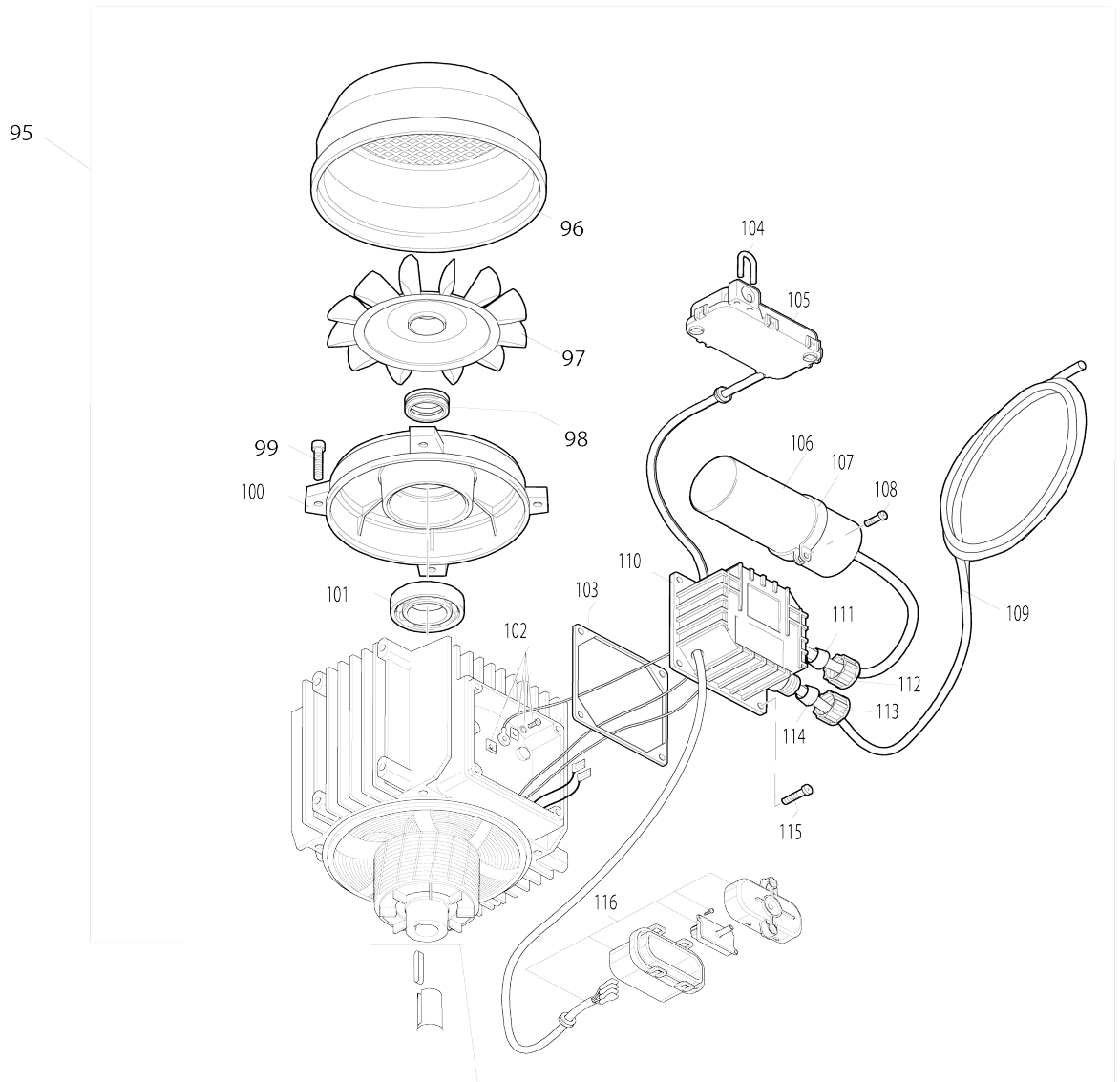


Model No.HW151 HIGH PRESSURE WASHER

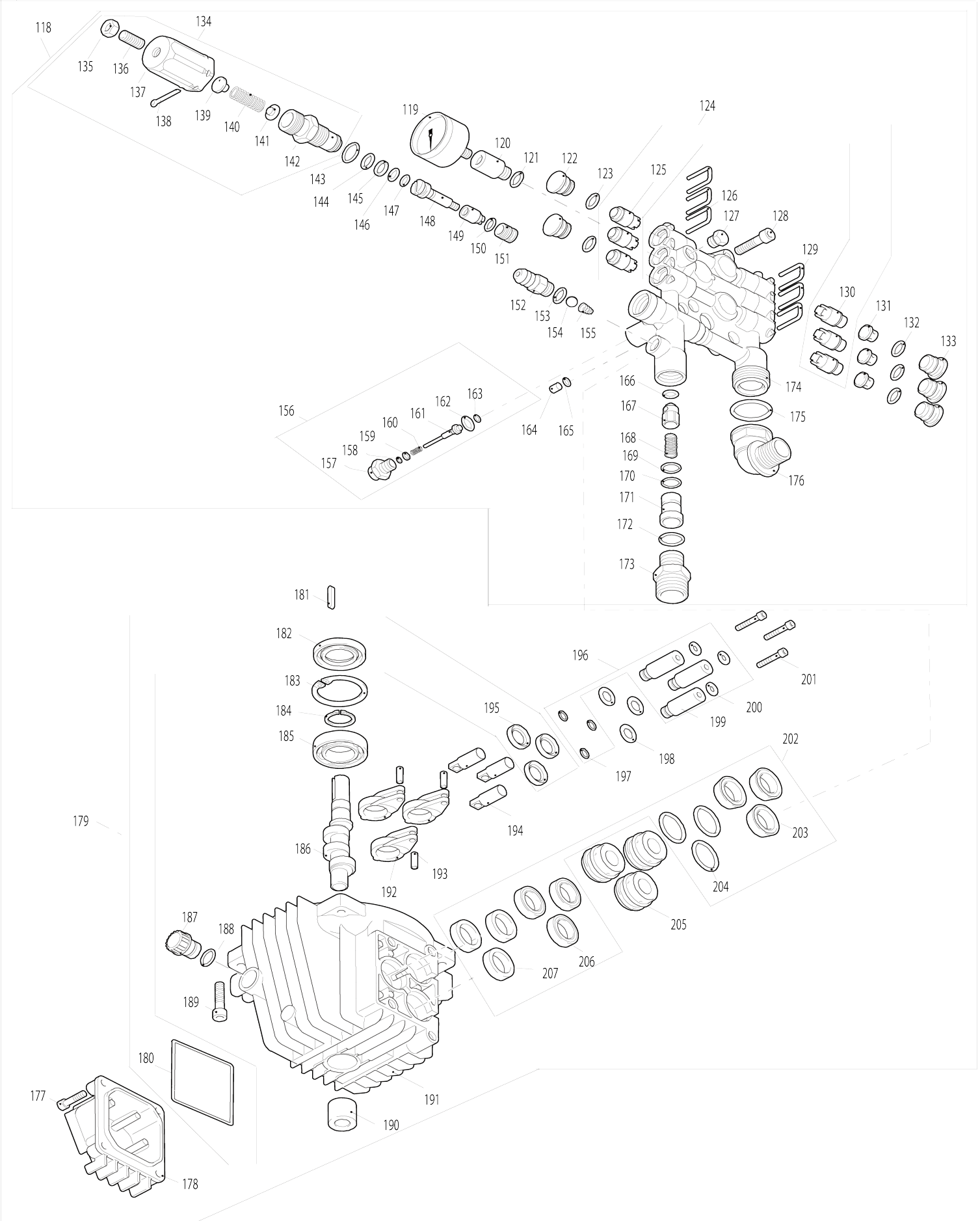


Model No.HW151 HIGH PRESSURE WASHER



Model No.HW151 HIGH PRESSURE WASHER

117



Model No.HW151 HIGH PRESSURE WASHER

Obj. č.	Obj. č.	Popis	Možn ost zá měny	Množ ství	Nový/ Starý	Poznámka 1	Poznámka 2
001	609042581	HOSE REEL ASSEMBLY		1			
001		INC. 2-29					
002	609580330	PAN HEAD SCREW M5X40		2			
003	609470390	FLAT WASHER 5		2			
004	609100300	SCREW 5X16		1			
005	609580150	HOSE REEL BRACKET L OUTSIDE		1			
006	609480890	RETAINING RING ØE 17		1			
007	609600220	REEL AXLE LEFT OUTSIDE		1			
008	609390080	O-RING Ø 11,91X2,62		1			
009	609390080	O-RING Ø 11,91X2,62		1			
010	609580340	REEL AXLE LEFT INSIDE		1			
011	609580160	HOSE REEL BRACKET INSIDE		1			
012	609680750	NYLON INSERT HEX.LOCK NUT M 5		2			
013	609021780	TAPPING SCREW 4X32		4			
014	609360230	HOSE REEL DRUM HARF		1			
015	609380420	RETAINING RING Ø 22		1			
016	609580120	HOSE REEL EXTENSION SPACER		2			
017	609380420	RETAINING RING Ø 22		1			
018	609360230	HOSE REEL DRUM HARF		1			
019	609021780	TAPPING SCREW 4X32		4			
020	609680750	NYLON INSERT HEX.LOCK NUT M 5		2			
021	609580160	HOSE REEL BRACKET INSIDE		1			
022	609580350	REEL AXLE LEFT		1			
023	609580130	HOSE REEL LOCK		1			
024	609580140	HOSE REEL BRACKET R OUTSIDE		1			
025	609470390	FLAT WASHER 5		2			
026	609580330	PAN HEAD SCREW M5X40		2			
027	609100300	SCREW 5X16		1			
028	609360360	HEX SOCKET BOLT M5X10		1			
029	609360150	CRANK LEVER		1			
030	609580080	PIPE FRAME UPPER		1			
031	609580180	GRIP COVER UPPER		2			
032	609580090	GRIP COVER LOWER		2			
033	609100300	SCREW 5X16		4			
034	609050019	KNOB NUT M6		2			
035	609050037	HEX BOLT M6X40		2			
036	609820510	O-RING Ø 10,82X1,78		1			
037	609600260	FITTING		1			
038	609580310	HIGH PRESSURE HOSE 0.75M AS SY		1			
C10	609000570	O-RING 10X2		2			
039	609083550	HIGH PRESSURE HOSE 10M ASSY		1			
C10	609000570	O-RING 10X2		2			
040	609580020	FRONT HOUSING UPPER MAKITA		1			
041	609100300	SCREW 5X16		1			
042	609360760	PRESSURE ADJUST KNOB		1			
043	609580230	FRONT HOUSING LOWER BLUE		1			

044	609040086	QUICK COUPLING NIPPLE G3/4	1		
045	609082130	krytka	1		
046	609320570	HEX BOLT M5X100	4		
047	609680960	FLAT WASHER 5	4		
048	609580270	FOOT	2		
049	609060200	TAPPING SCREW 4.5X16	2		
050	609580070	PIPE FRAME LOWER FRONT	1		
051	609060200	TAPPING SCREW 4.5X16	1		
052	609580250	ACCESSORIES CAP	1		
053	609580040	PARTITIONplate	1		
054	609550331	FLAT WASHER 6	2		
055	609320350	HEX BOLT M6X12	2		
056	609550331	FLAT WASHER 6	2		
057	609320350	HEX BOLT M6X12	2		
058	609580260	SUB FRAME FOR MOTOR	1		
059	609580260	SUB FRAME FOR MOTOR	1		
060	609580050	ACCESSORIES CARRIER LEFT	1		
061	609360090	CORD FOOK	2		
062	609100300	SCREW 5X16	2		
063	609100300	SCREW 5X16	2		
064	609060200	TAPPING SCREW 4.5X16	2		
065	609440190	DETERGENT VALVE	1		
066	609000110	TAPPING SCREW 3.5X15	3		
067	609580290	SILICONE TUBE 6MM L=0.45M	1		
068	609100300	SCREW 5X16	1		
069	609600100	CABLE GLAND	1		
070	609100300	SCREW 5X16	2		
071	609589000	REAR HOUSING ASSY	1		
071		INC. 72-78			
072	609180330	RUBBER FOOT	2		
073	609580010	REAR HOUSING	1		
074	609180080	WHEEL AXLE	1		
075	609680890	WASHER 12.5X48X2.5 Z/B	2		
076	609580280	WHEEL 8 INCH	2		
077	609680880	WASHER	2		
078	609580170	WHEEL COVER MAKITA	2		
079	609100300	SCREW 5X16	2		
080	609900220	DETERGENT VALVE KNOB	1		
081	609100300	SCREW 5X16	2		
082	609580300	SILICONE TUBE 6MM L=0.55M	2		
083	609580190	DETERGENT TANK CAP	2		
084	609000230	FILTER	2		
085	609180130	DETERGENT TANK	2		
086	609580050	ACCESSORIES CARRIER LEFT	2		
087	609100300	SCREW 5X16	2		
088	609480640	NYLON INSERT HEX.LOCK NUT M 5	4		
089	609480650	FLAT WASHER 5	4		
090	609580060	PIPE FRAME LOWER REAR ASSY	1		
090		INC. 91			
091	609580370	PIPE FRAME PROTECTOR	2		
092	609041154	TRIGGER GUN SET AR	1		

093	609040551	SPRAY LANCE WIDE/NALLOW AR	1		
094	609040167	CYCLON JET NOZZLE SET AR	1		
095	609044476	MOTOR ASSY 230V 50HZ EURO P LUG	1		
095		INC. 96-116			
096	609342040	FAN COVER	1		
097	609260300	COOLING FAN	1		
098	609340350	OIL SEAL	1		
099	609260760	HEX BOLT M5X20	1		
100	609340320	MOTOR HOUSING UPPER	1		
101	609340340	BALL BEARING	1		
102	609269100	EARTH TARMINAL CLAMPING SE T	1		
103	609340780	GASKET	1		
104	609022200	U-PIN	1		
105	609029752	PRESSURE SWITCH	1		
106	609263520	CAPACITOR 40 MICRO F	1		
107	609982550	CAPACITOR CLAMP BAND	1		
108	609261560	TAPPING SCREW 3,9X16	3		
109	609760450	POWER SUPPLY CORD EURO PLU G	1		
110	609341832	JUNCTION BOX	1		
111	609340660	RUBBER FOOT	1		
112	609340640	RING NUT	1		
113	609340640	RING NUT	1		
114	609340650	RUBBER FOOT	1		
115	609261560	TAPPING SCREW 3,9X16	1		
116	609909209	SWITCH BOX SET	1		
117	609349285	PUMP ASSY	1		
117		INC. 118,177-179,181,183-194, 196,198,201,202,205			
118	609349204	PUMP HEAD ASSY	1		
118		INC. 119-124,126-129,131-134, 143-156,164-176			
119	609040476	manometr	1		
120	609344940	FITTING R1/8	1		
121	609465720	O-RING	1		
122	609344800	VALVE CAP PLUG	2		
123	609465720	O-RING	2		
124	609042566	VALVE REPAIR SET	1		
124		INC. 125,130			
125	609349055	VALVE CPL.	3		
126	609344790	U-PIN	3		
127	609620301	PLUG 1/8" G	1		
128	609850850	SCREW M6X30	4		
129	609344790	U-PIN	3		
130	609349055	VALVE CPL.	3		
131	609344770	SPACER	3		
132	609465720	O-RING	3		
133	609344800	VALVE CAP PLUG	3		
134	609042579	REGULATOR HANDLE SET	1		
134		INC. 135-142			

135	609060120	NUT M6		1		
136	609980740	BLIND PLUG		1		
137	609344881	REGULATOR HANDLE NUT		1		
138	609500550	SPLIT PIN 2.6X15 Z/B		1		
139	609980220	SPRING SEAT UPPER		1		
140	609460190	SPRING		1		
141	609343450	WOBBLE PLATE		1		
142	609344870	PISTON GUIDE		1		
143	609740290	O-RING Ø 14X1,78		1		
144	609820510	O-RING Ø 10,82X1,78		1		
145	609080401	RING		1		
146	609600180	O-RING 7.66X1.78		1		
147	609080190	O-RING Ø 2,90X1,78		1		
148	609021900	PISTON		1		
149	609460151	REGULATOR PISTON LOWER		1		
150	609600180	O-RING 7.66X1.78		1		
151	609342701	REGULATOR PISTON SEAT		1		
152	609982520	HOSE NIPPLE R1/8		1		
153	609480480	O-RING Ø 4,48X1,78		1		
154	609250280	BALL		1		
155	609560520	SPRING		1		
156	609042580	PLUNGER SET FOR PRESSURE SW ITC		1		
156		INC. 157-163				
157	609344830	PLUNGER CAP		1		
158	609260820	O-RING		1		
159	609021650	WASHER		1		
160	609021630	SPRING		1		
161	609022040	PLUNGER FOR PRESSURE SWITC H		1		
162	609600180	O-RING 7.66X1.78		1		
163	609120680	O-RING		1		
164	609344890	PLUG		1		
165	609560870	O-RING		1		
166	609460430	O-RING Ø 4X2,5		1		
167	609901070	CHECK VALVE PISTON		1		
168	609080091	CHECK VALVE PISTON SPRING		1		
169	609800560	O-RING Ø 8,73X1,78		1		
170	609901060	CHECK VALVE BODY		1		
171	609740290	O-RING Ø 14X1,78		1		
172	609900120	NIPPLE FOR DETERGENT		1		spojka HW140 STOP
173	609344850	PUMP HEAD BODY		1		
174	609344970	O-RING		1		
175	609500280	EXTENSION		1		
176	609260780	HEX SOCKET BOLT M5X25		1		
177	609344060	COVER		1		
178	609001876	OIL SEAL REPAIR SET		1		
178		INC. 180,182,195				
180	609040710	O-RING Ø 56X2		1		
181	609880111	KEY		1		
182	609341080	OIL SEAL		1		
183	609111120	RETAINING RING ØI 47		1		

184	609480890	RETAINING RING ØE 17		1		
185	609341070	BEARING		1		
186	609340170	SHAFT		1		
187	609343900	PLUG		1		
189	609880840	O-RING Ø 9,25X1,78		1		
190	609260050	BUSHING		1		
C10	609344050	PUMP BODY		1		
192	609340060	CONNECTING-ROD		3		
193	609340080	PIN		3		
194	609340070	PIN		3		
195	609260460	OIL SEAL		3		
196	609002623	PISTON repair KIT		1		
196		INC. 197,199,200				
197	609600180	O-RING 7.66X1.78		3		
198	609341010	PLATE		3		
199	609342740	PISTON Ø 15		3		
200	609341020	WASHER 6X10X1		3		
201	609850670	SCREW TCEI M6X35		3		
202	609042567	WATER SEAL KIT		1		
202		INC. 203,204,206,207				
203	609460180	WATER SEAL		3		
204	609770260	O-RING Ø 23,52X1,78		3		
205	609344750	PISTON GUIDE		3		
206	609260440	WATER SEAL C1		3		
207	609344760	OIL SEAL		3		

Prosím uveďte objednací číslo dílu v objednávce

Datum tisku 30. 10. 2024