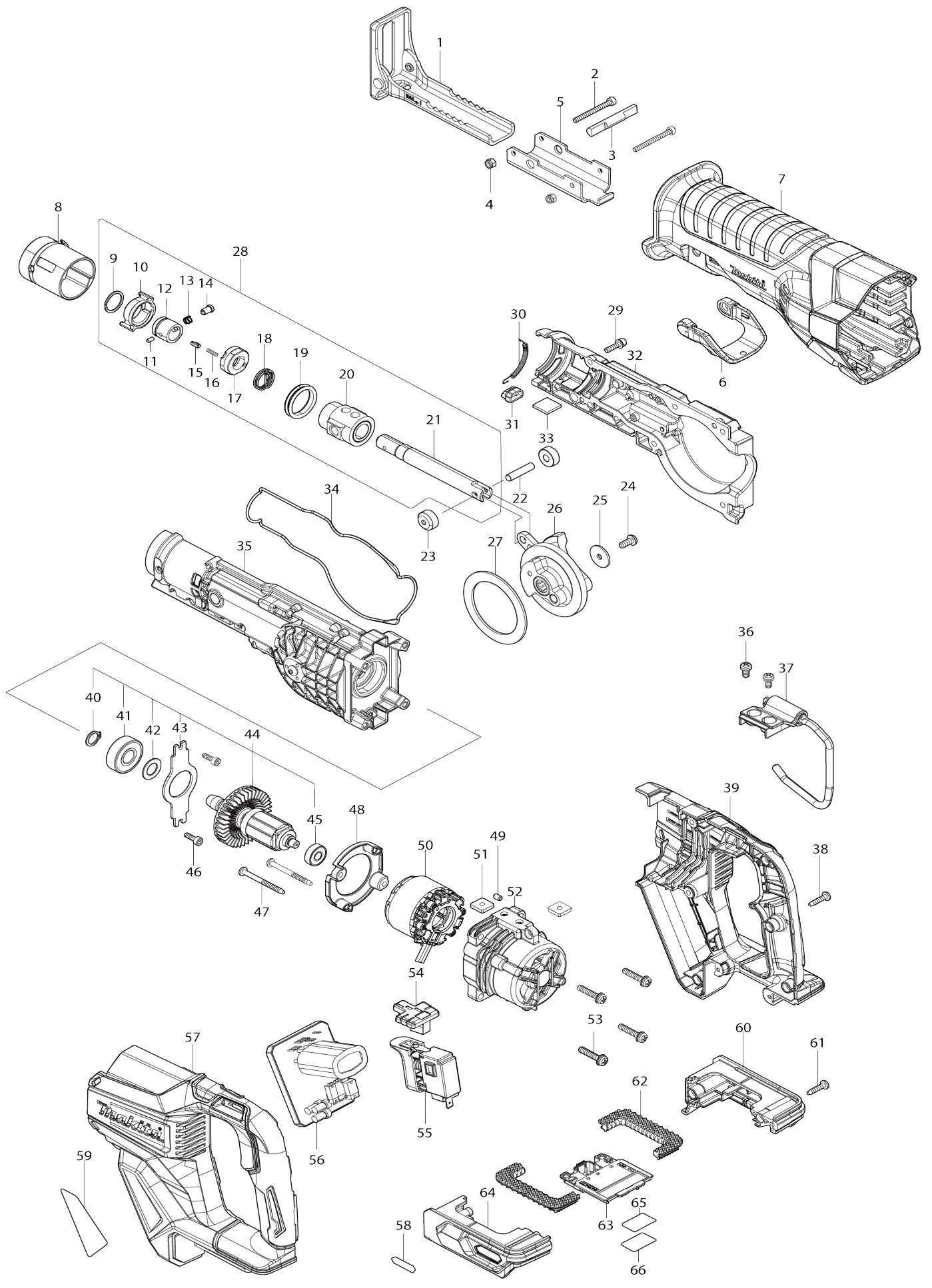


Model No. JR001G CORDLESS RECIPRO SAW



Model No. JR001G CORDLESS RECIPRO SAW

Obj. č.	Obj. č.	Popis	Možn ost zá měny	Množ ství	Nový/ Starý	Poznámka 1	Poznámka 2
001	162739-4	SHOE		1		botka	
002	265A78-8	HEX SOCKET HEAD BOLT M4X40		2			
003	326599-0	LOCK PIN		1		h	
004	252126-6	HEX. LOCK NUT M4-7		2		matka	
005	347637-5	SHOE GUIDE PLATE		1		veden	
006	459924-1	LOCK LEVER		1		z	
007	422542-8	INSULATION COVER		1		izola	
008	459923-3	RELEASE DRUM		1	*	bub	
008-1	413P68-7	RELEASE DRUM	S	1			
009	257430-8	RETAINING RING(EXT)18		1		zaji	
010	310848-5	DRIVING SLEEVE		1		pouzdro veden	
011	268094-3	čep JR3030/50T/60T/70T		1			
012	327043-0	GUIDE SLEEVE		1	*	zaji	
012-1	327650-9	GUIDE SLEEVE	S	1		veden	
013	234381-2	COMPRESSION SPRING 6		1		pru	
014	256569-4	SHOULDER PIN 5		1			
015	310912-2	PUSH PIN		1			
016	232472-3	COMPRESSION SPRING 2		1		pru	
017	458968-8	CONNECTING SLEEVE		1		pouzdro DJR188 JR30 61T=old458113-5	
018	233594-2	TORSION SPRING 17		1		pru	
019	422309-4	RUBBER RING 25		1			
020	140P52-6	SLIDER GUIDE COMPLETE		1			
C10	213174-0	x-kroužek JR3030T		1		x-krou	
021	327154-1	SLIDER		1	*		
021-1	327652-5	SLDIER	S	1		t	
022	256945-2	PIN 6		1			
023	310991-0	ROLLER		2		v	
024	265374-8	H.S. BUTTON HEAD SCREW M5X1 2		1			
025	253462-3	FLAT WASHER 5		1		podlo	
026	140P53-4	GEAR COMPLETE		1		p	
027	253463-1	FLAT WASHER 51		1		podlo	
028	136224-3	SLIDER ASSY		1		kluz	
028		INC. 9-21					
029	922128-3	šroub imbus = old 266178-1		6			
030	232583-4	TENSION SPRING 3		1		pru	
031	620C32-5	LED CIRCUIT		1		LED okruh	
032	140P51-8	GEAR HOUSING R COMPLETE		1	*	p	
032-1	140W37-4	GEAR HOUSING R COMPLETE	S	1	*	p	
032-2	141G35-5	GEAR HOUSING R COMPLETE	S	1	*		
032-3	141N96-7	GEAR HOUSING R COMPLETE	S	1			
033	424858-7	FELT 16X16		1		filc 16x16 DJR186 DJR 187 JR001G	
034	422541-0	SEAL RING		1		t	
035	140P50-0	GEAR HOUSING L COMPLETE		1	*	p	
035-1	140W36-6	GEAR HOUSING L COMPLETE	S	1	*	sk	
035-2	141G34-7	GEAR HOUSING L COMPLETE	S	1	*		
035-3	141N95-9	GEAR HOUSING L COMPLETE	S	1			

036	911206-4	šroub M5x10=old251812-6		2			
037	127468-6	HOOK ASSEMBLY		1	*	h	
037-1	122F82-9	HOOK ASSEMBLY	S	1		h	
038	266326-2	šroub 4x18=new265995-6		6			
039	183N57-1	HANDLE SET		1		dr	
039		INC. 57					
040	961052-5	segrovka vnější S-12		1		segrovka	
041	211129-9	kul.lož. 6201=old922088,211143-5 211122-3		1		kul.lo	
042	253744-3	podložka 12		1		podlo	
043	285038-8	BEARING RETAINER 80		1			
044	510447-5	ROTOR ASS'Y		1		rotor	
044		INC. 40-43,45					
045	210062-2	ložisko MT952		1		kuli	
046	922117-8	HEX. SOCKET HEAD BOLT M4X12		2			
047	266425-0	TAPPING SCREW 4X45		2			
048	456178-1	BAFFLE PLATE		1		deflektor DJR187 DJR 360 JR001G	
049	263002-9	vymezovací čep 4		1			
050	629470-0	STATOR		1	*	stator	
050-1	629B69-3	STATOR	S	1		stator	
051	264002-2	SQUARE NUT M5		2		matka	
052	412476-3	MOTOR HOUSING		1		obal motoru	
053	911243-8	šroub M5x25		4			
054	456177-3	CHANGE BUTTON		1		p	
055	651439-6	SWITCH C3JR-4B-2		1		vyp	
056	620C31-7	CONTROLLER		1		ovlada	
057	183N57-1	HANDLE SET		1		dr	
057		INC. 39					
058	8005T5-8	XGT LOGO LABEL		1			
059	856P39-5	JR001G NAME PLATE		1			
060	183N58-9	BATTERY HOUSING SET		1		dr	
C10	263005-3	vymezovací čep 6		2			
060		INC. 64					
061	266326-2	šroub 4x18=new265995-6		2			
062	422543-6	CUSHION RUBBER		2		guma	
063	632P49-4	TERMINAL UNIT		1	*	termin	
063-1	632P75-3	TERMINAL UNIT	<	1	*		
063-2	632P49-4	TERMINAL UNIT	S	1		termin	
064	183N58-9	BATTERY HOUSING SET		1		dr	
C10	263005-3	vymezovací čep 6		2			
064		INC. 60					
065	856P46-8	JR001G SERIAL NO. LABEL		1			
066	8008P3-2	CLEAR LABEL		1	*		
067	232746-2	RING SPRING 39	S	2			
068	620N49-4	CONTROLLER B	S	1			
069	638A34-5	LEAD UNIT	S	1			
070	652119-7	PAN HEAD SCREW M2X6	S	6			
A01	B-05038	bimetalový pil.list17,5/7,5 152m m5ks		1		bimetalov	
A02	B-05044	bimetalový pil.list11,5/5,5 152m m5ks		1		bimetalov	
A03	B-05153	pilový list HCS6,4/10,6 203mm5k		1		pilov	

		s					
A04	821796-8	PLASTIC CASE		1			
C10	162271-8	přezka kufru		2			
A05	***DC40RA	DC40RA FAST CHARGER		1			
A05		COMPO-PARTS					
A06	412393-7	BATTERY COVER		1			
A07	191B26-6	BATTERY BL4040 SET		2			
A07	191B36-3	BATTERY BL4025 SET		2			

Prosím uveďte objednáací číslo dílu v objednávce

Datum tisku 30. 10. 2024