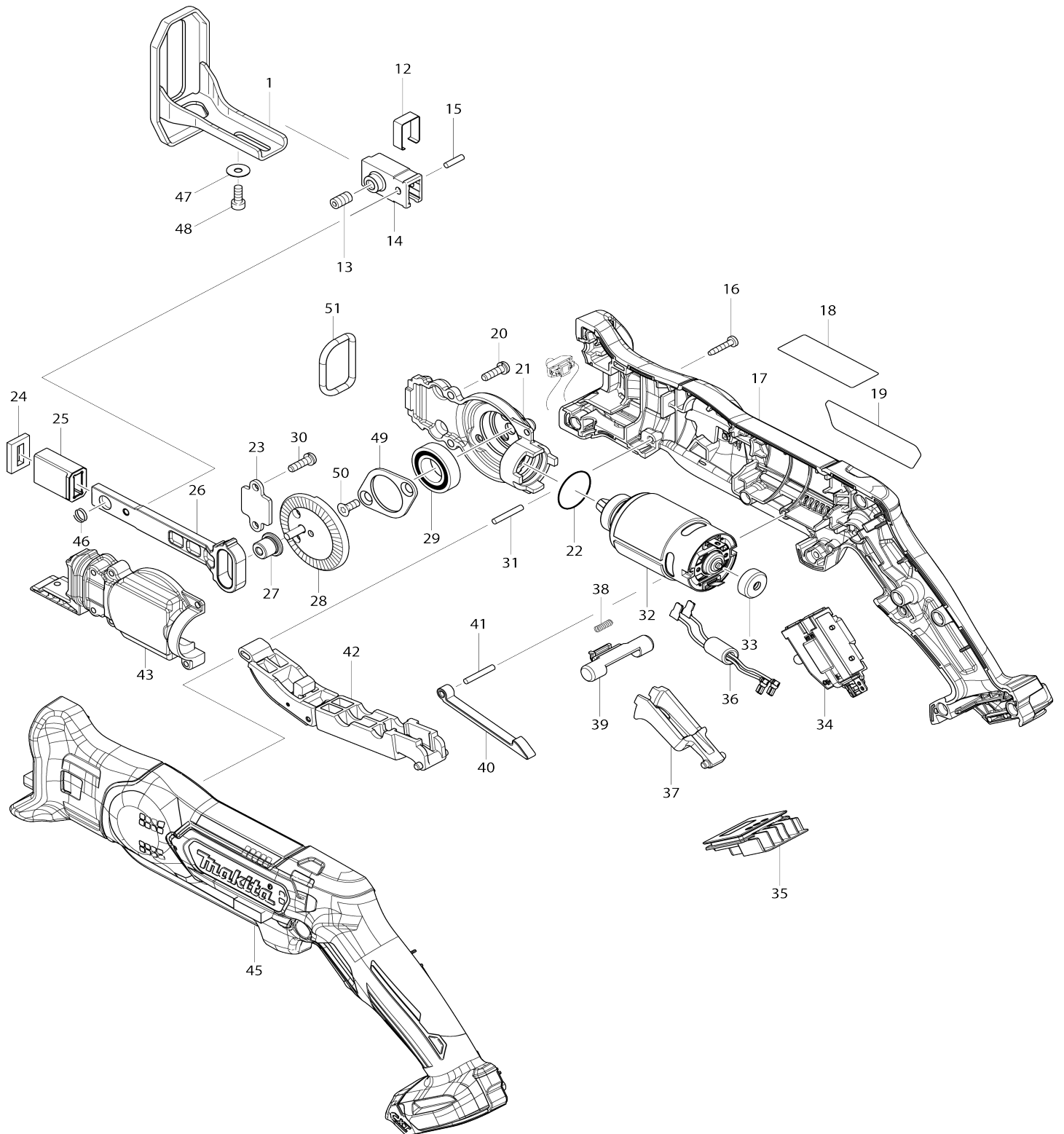


Model No. JR105D CORDLESS RECIPRO SAW



Model No.JR105D CORDLESS RECIPRO SAW

Obj. č.	Obj. č.	Popis	Možn ost zá měny	Množ ství	Nový/ Starý	Poznámka 1	Poznámka 2
001	165740-8	SHOE		1		noha DJR143 183 185 JR103 105D	
012	346526-1	CLAMPER		1		zar	
013	251961-9	Inbusschraube M6x10		1		Inbusschraube M6x1 0	
014	310497-8	BLADE CLAMP		1	*	dr	
014-1	310978-2	BLADE CLAMP	<	1		dr	
015	256157-7	PIN 3		1			
016	266429-2	TAPPING SCREW 3X16		10			
017	183C31-3	HOUSING SET		1			
C10	263002-9	vymezovací čep 4		3			
017		INC. 45					
019	851J07-7	JR105D NAME PLATE		1	*		
019-1	851J06-9	JR105D NAME PLATE	<	1			
020	266747-8	PAN HEAD SCREW M4X14 WITH WM		3			
021	319060-4	GEAR HOUSING		1		obal p	
022	213961-7	O RING 22		1			
023	346525-3	PLATE		1		deska DJR143 DJR183 DJR185 JR103D JR105 D	
024	443185-3	FELT SEAL		1		t	
025	313220-0	SLIDER GUIDE		1		veden	
026	313269-0	SLIDER N		1		posuvn	
027	313270-5	COLLARED SLEEVE 4		1		lo	
028	142284-5	GEAR COMPLETE		1		p	
029	211242-3	ložisko 6902ZZ 6412/6413		1	*	lo	
029-1	210294-1	BALL BEARING 6902ZZ	O	1			
030	266747-8	PAN HEAD SCREW M4X14 WITH WM		2			
031	256158-5	čep 3		1			
032	629165-5	DC MOTOR		1		motor JR103D/JR305 D	
033	424467-2	CAP		1		v	
034	632F46-0	SWITCH UNIT		1		p	
C10	620447-8	LED CIRCUIT		1			
035	644813-5	TERMINAL		1		terminal	
036	632F66-4	LINE FILTER UNIT		1			
037	453072-8	SWITCH LEVER R		1		p	
038	233438-6	COMPRESSION SPRING 4		1		pru	
039	454661-2	LOCK OFF LEVER R		1		p	
040	313219-5	LINK		1		veden	
041	256158-5	čep 3		1			
042	141128-6	SWITCH LEVER F COMPLETE		1		p	
043	319061-2	GEAR HOUSING COVER		1		obal p	
045	183C31-3	HOUSING SET		1			
C10	263002-9	vymezovací čep 4		3			
045		INC. 17					
046	234258-1	COMPRESSION SPRING 7		1		pru	
047	253874-0	podložka 4=old924204020		1		podlo	

048	922112-8	imbus M4x10		1		imbus M4x10	
049	285738-0	BEARING RETAINER 36		1		pouzdro lo	
050	265035-0	šroub TORX 4304		2			
051	424597-9	RUBBER RING 23		1		krou	
A01	783201-2	klíč inbus 3		1			
A02	B-20432	RECIPROSAW BLADE 100MM		1			
A03	B-20404	RECIPROSAW BLADE 100MM		1			
A04	456128-6	BATTERY COVER		1			
A05	***DC10SA	DC10SA BATTERY CHARGER		1	*		
A05		COMPO-PARTS			*		
A05-1	***DC10SB	DC10SB BATTERY CHARGER	<	1			
A05-1		COMPO-PARTS					
A06	197394-3	BATTERY BL1020B SET		2	*		
A06	197402-0	BATTERY BL1040B SET		2	*		
A06-1	197396-9	BATTERY BL1021B SET	<	2	*		
A06-1	197406-2	BATTERY BL1041B SET	<	2	*		
A06-2	197396-9	BATTERY BL1021B SET	O	2			
A06-2	197406-2	BATTERY BL1041B SET	O	2			
A07	821662-9	PLASTIC CARRYING CASE		1			
C10	162315-4	LATCH		2			
F01	197390-1	BATTERY BL1015 SET		1			
F02	197391-9	BATTERY BL1015 SET		1			
F03	197393-5	BATTERY BL1016 SET		1			
F08	198968-3	BATTERY BL1016 SET		1			
F09	198969-1	BATTERY BL1016 SET (2PIECES)		1			
F10-1	198970-6	BATTERY BL1021B SET (2PIECES)	O	1			
F11-1	199002-2	BATTERY BL1041B SET (2PIECES)	O	1			

Prosím uveďte objednáací číslo dílu v objednávce

Datum tisku 30. 10. 2024