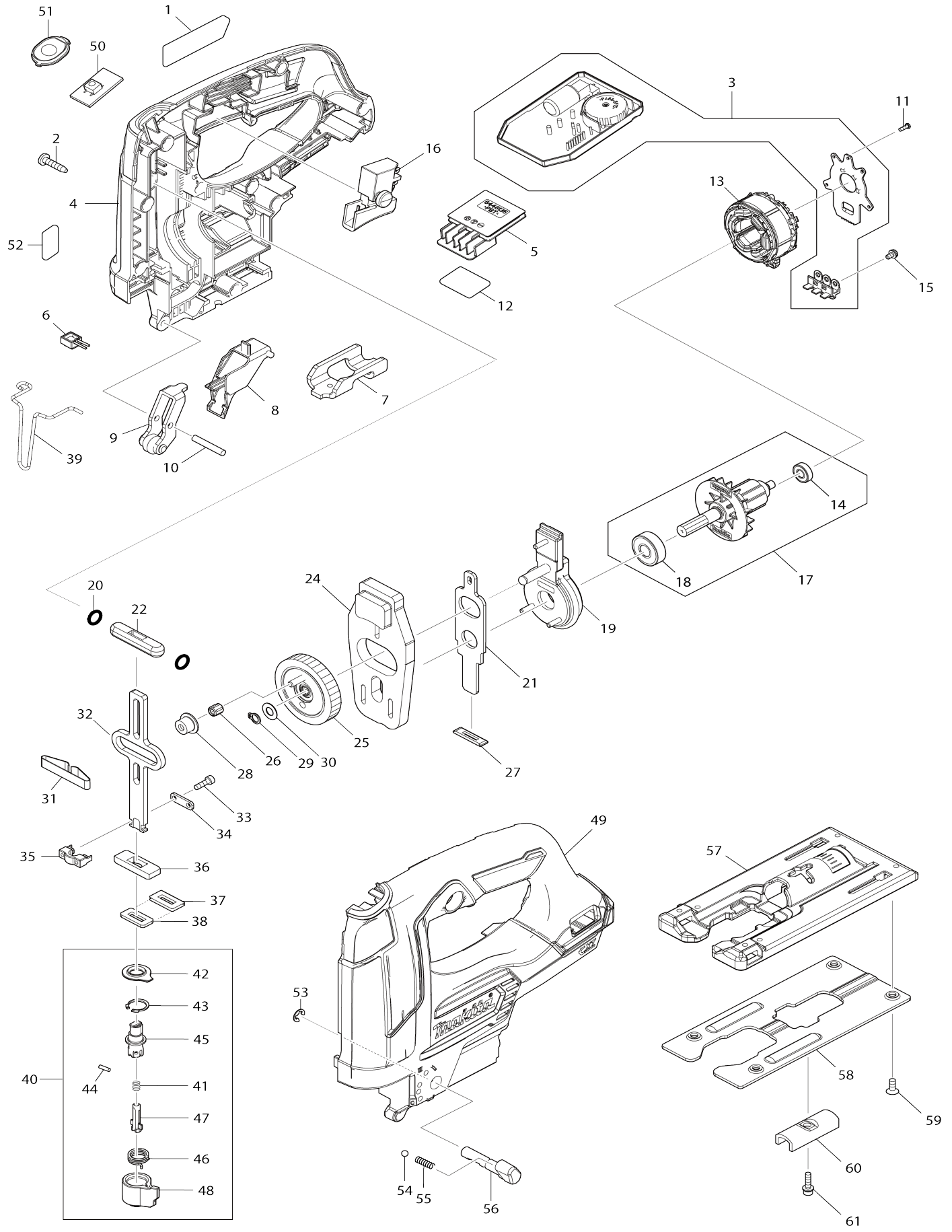


Model No. JV103D CORDLESS JIG SAW



Model No. JV103D CORDLESS JIG SAW

Obj. č.	Obj. č.	Popis	Možn ost zá měny	Množ ství	Nový/ Starý	Poznámka 1	Poznámka 2
001	853P72-8	JV103D NAME PLATE		1	*		
001-1	853P71-0	JV103D NAME PLATE	<	1			
002	266326-2	šroub 4x18=new265995-6		10			
003	620711-7	CONTROLLER		1	*	ovlada	
003-1	620907-0	CONTROLLER	<	1		ovlada	
004	183H18-5	HOUSING SET		1		obal	
004		INC. 49					
005	644813-5	TERMINAL		1		terminal	
006	620713-3	LED CIRCUIT		1		okruh osv	
007	347251-7	HOLDER		1		dr	
008	457866-3	RETAINER GUIDE		1		veden	
009	144629-3	RETAINER COMPLETE		1		vymezivac	
010	256206-0	čep		1			
011	266490-9	TAPPING SCREW PT 2X6		3			
012	853P79-4	JV103D SERIAL NO. LABEL		1			
013	629281-3	STATOR		1		stator JV102D JV103D	
014	211157-4	BALL BEARING 695ZZ		1		lo	
015	652069-6	FLAT HEAD SCREW M3X6		3			
016	650251-1	SWITCH SGEL106C-4		1		vyp	
017	519452-9	ROTOR ASSY		1	*	rotor	
017		INC. 14,18			*		
017-1	519452-9	ROTOR ASSY	O	1		rotor	
017-1		INC. 14,18					
018	210005-4	kulič. ložisko 608DDW = old 2110 31-6		1		kuli	
019	144820-3	BEARING CASE COMPLETE		1		ulo	
020	213038-8	o-kroužek		2		o-krou	
021	347249-4	PUSH PLATE		1		deska	
022	313082-6	uložení táhla 4322/4323/4324		1		ulo	
024	310812-6	BALANCE PLATE		1		desti	
025	144630-8	GEAR COMPLETE		1		p	
026	212965-6	NEEDLE CAGE 407		1		lo	
027	416703-0	092038		1		t	
028	257804-3	SHOULDER SLEEVE 7		1		kladka	
029	961002-0	segrovka S-6s		1		segrovka S-6s	
030	253715-0	podložka 6		1		podlo	
031	232183-0	092028		1		pru	
032	347250-9	SLIDER		1		kluz	
033	266177-3	šroub M 3x10		2			
034	347247-8	PLATE		1		deska	
035	310811-8	BLADE CLAMP		1		uchycen	
036	313086-8	vodítko táhla 4324		1		vod	
037	344686-3	092035		1		092035	
038	423307-1	085011		1		t	
039	323748-0	085035		1		bezpe	
040	135941-2	BLADE GUIDE ASS'Y		1		dr	
040		INC. 41-48					
041	233314-4	pružina aretace momentu 6827		1		pru	

042	424437-1	DUST COVER		1		prachov	
043	962063-3	RETAINING RING R-13		1		segrovka vnit	
044	256528-8	PIN 2		1			
045	310810-0	BLADE GUIDE		1		veden	
046	233591-8	TORSION SPRING 10		1		pru	
047	310485-5	LOCK PIN		1			
048	452850-3	INSERT HOLDER		1		z	
049	183H18-5	HOUSING SET		1		obal	
049		INC. 4					
050	620715-9	SWITCH UNIT		1			
051	142303-7	SWITCH PLATE COMPLETE		1			
053	961011-9	zajišťovací kroužek		1		zaji	
054	216008-6	kulička 4		1		kuli	
055	233151-6	vinutá pružina		1		vinut	
056	271441-9	LEVER 19		1	*	p	
056-1	271486-7	LEVER 19	<	1			
057	319620-2	BASE		1		z	
058	345441-6	kryt základny		1		kluzn	
059	912107-9	COUNTERSUNK HEAD SCREW M4 X8		4			
060	344685-5	092045		1		upnut	
061	922128-3	šroub imbus = old 266178-1		1			
A01	A-85628	pilky č.B-10 = old 792538-6		1		pilov	
A02	783201-2	klíč inbus 3		1			
A03	457867-1	COVER PLATE		1		deska proti po	
A04	821549-5	systainer Makpac 395x295x105 mm		1			
C10	453974-8	LATCH		4		spona Makpacu	
A05	839186-1	INNER TRAY		1			
A06	813P29-1	JV103DWYJ INDICATION LABEL		1	*		
A06	813P40-3	JV103DWAJ INDICATION LABEL		1			
A06	813P58-4	JV103DSMJ INDICATION LABEL		1			
A06-1	813P28-3	JV103DWYJ INDICATION LABEL	<	1			
A07	813P30-6	JV103DWYJ PLASTIC CASE LABEL		2			
A07	813P41-1	JV103DWAJ PLASTIC CASE LABEL		2			
A07	813P59-2	JV103DSMJ PLASTIC CASE LABEL		2			
A08	197390-1	BATTERY BL1015 SET		2	*		
A08	197394-3	BATTERY BL1020B SET		2	*		
A08	197402-0	BATTERY BL1040B SET		2	*		
A08-1	197393-5	BATTERY BL1016 SET	<	2			
A08-1	197396-9	BATTERY BL1021B SET	<	2	*		
A08-1	197406-2	BATTERY BL1041B SET	<	2	*		
A08-2	197396-9	BATTERY BL1021B SET	O	2			
A08-2	197406-2	BATTERY BL1041B SET	O	2			
A09	***DC10WC	DC10WC BATTERY CHARGER		1	*		
A09	***DC10SA	DC10SA BATTERY CHARGER		1	*		
A09-1	***DC10WD	DC10WD BATTERY CHARGER	<	1			
A09-1	***DC10SB	DC10SB BATTERY CHARGER	<	1			
A10	456128-6	BATTERY COVER		1			
A11	457801-1	DUST NOZZLE		1			
A12	458191-5	DUST COVER		1			
F01	192557-6	ANTI-SPLITERING DEVICE		1		plastov	

F03	194367-7	vodící lišta SP6000 3000mm		1		
F04	194368-5	vodící lišta 1400mm=old192516-0		1		
F05	194925-9	GUIDE RAIL 1900 SET		1		
F06-1	198704-7	GUIDE RAIL ADAPTER SET	O	1		
F07	194416-0	SHEET 10000 SET		1		
F08	194417-8	RUBBER SHEET 10000 SET		1		
F10	198968-3	BATTERY BL1016 SET		1	*	
F11	198969-1	BATTERY BL1016 SET (2PIECES)		1	*	
F12-1	198970-6	BATTERY BL1021B SET (2PIECES)	O	1	*	
F13-1	199002-2	BATTERY BL1041B SET (2PIECES)	O	1	*	
F14	199140-0	GUIDE RAIL 1000 SET		1		
F15	199141-8	GUIDE RAIL 1500 SET		1		
F16	194418-6	POSITION SHEET 1400 SET		1		
F17	194910-2	POSITION SHEET 1900 SET		1		

Prosím uveďte objednáč. číslo dílu v objednávce

Datum tisku 30. 10. 2024