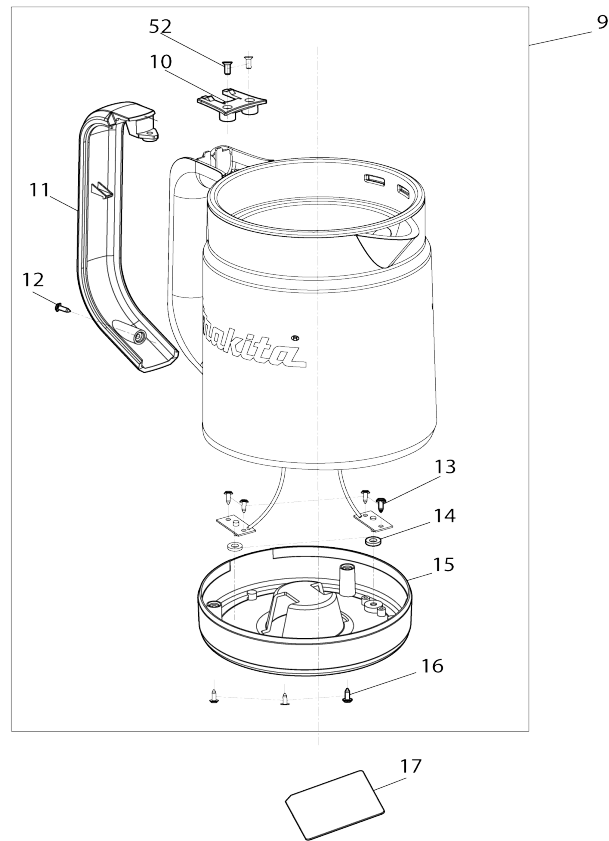
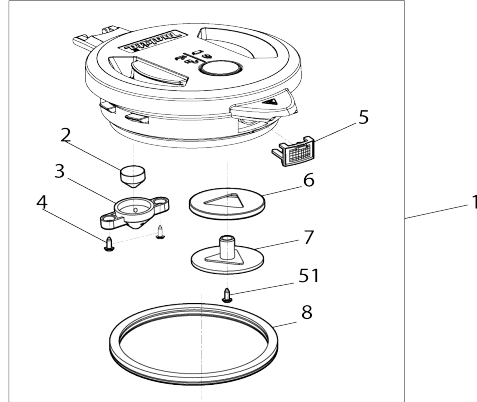
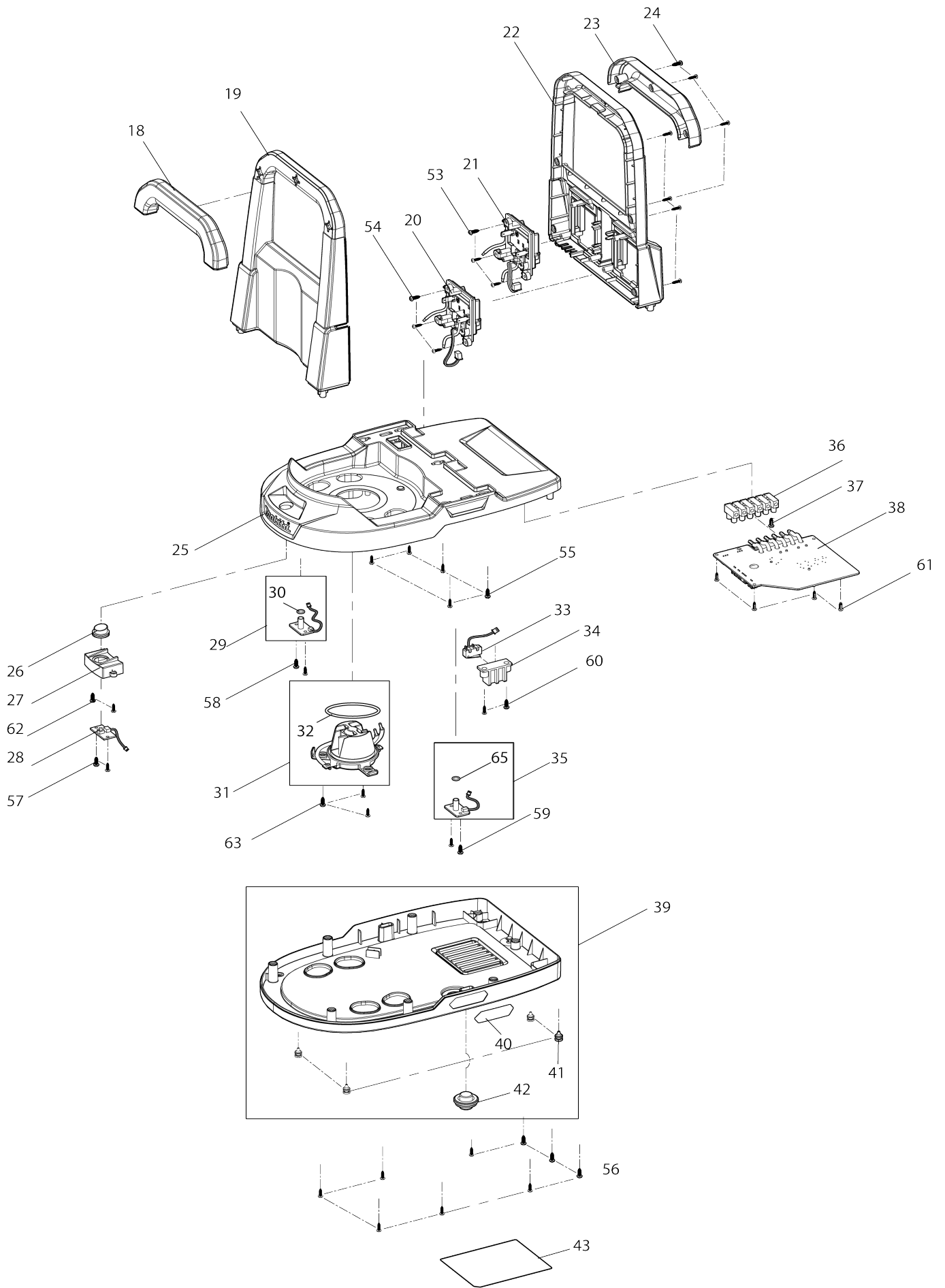


Model No.KT001G CORDLESS KETTLE



Model No.KT001G CORDLESS KETTLE



Model No.KT001G CORDLESS KETTLE

Obj. č.	Obj. č.	Popis	Možnost záměny	Množství	Nový/Stary	Poznámka 1	Poznámka 2
001	KF00000076	TOP COVER ASSEMBLY(BLUE)		1		d	
001		INC. 2-8,51					
002	KF00000078	PLUG		1			
003	KF00000079	PLUG COVER		1			
004	KF00000080	COUNTERSUNK SCREW ST3X12		2			
005	KF00000081	FILTER NET		1			
006	KF00000082	SILICONE OF WATER STOPPER		1			
007	KF00000083	WATER STOPPER		1			
008	KF00000084	SEAL RING OF COVER		1			
009	KF00000085	KETTLE ASSEMBLY(BLUE)		1		d	
009		INC. 10-16,52					
010	KF00000087	HANDLE CLIP		1			
011	KF00000088	HANDLE COVER		1			
012	KF00000002	TAPPING SCREW ST3X12		1			
013	KF00000089	TAPPING SCREW ST3X8		4			
014	KF00000090	SEAL RING		2			
015	KF00000091	BOTTOM COVER		1			
016	KF00000092	H.L. SOCKET HEAD SCREW T10		3			
017	KF00000159	KETTLE NAME PLATE		1			
018	KF00000103	HANDLE COVER L		1		kryt rukojeti	
019	KF00000164	HANDLE BASE L(BLUE)		1		d	
020	KF00000165	BATTERY HOLDER A		1		dr	
021	KF00000166	BATTERY HOLDER B		1		dr	
022	KF00000167	HANDLE BASE R(BLUE)		1		d	
023	KF00000114	HANDLE COVER R		1		kryt tukojeti	
024	KF00000211	TAPPING SCREW ST3X12		7			
025	KF00000169	BASE(BLUE)		1		zakladna	
026	KF00000120	BUTTON		1		knofl	
027	KF00000121	PCB SWITCH SUPPORT		1		podpora sp	
028	KF00000122	SWITCH BOARD		1		deska vyp	
029	KF00000193	NTC BOTTOM CONTACT PAD A ASSY		1		spodn	
029		INC. 30					
030	KF00000119	SEAL RING		1			
031	KF00000170	COUPLER ASSEMBLY		1		spojka	
031		INC. 32					
032	KF00000127	COUPLER BASE SEAL RING		1			
033	KF00000194	MICRO-SWITCH ASSEMBLY		1		mikrosp	
034	KF00000125	MICRO-SWITCH SUPPORT		1		mikrosp	
035	KF00000123	NTC BOTTOM CONTACT PAD B ASSY		1		tla	
035		INC. 65					
036	KF00000128	TERMINAL		1		svorka	
037	KF00000129	SCREW ST3X14		1			
038	KF00000171	MAIN PCB		1	*	okruh=newKF00000239	
038-1	KF00000239	MAIN PCB	<	1		obvod	
039	KF00000172	BASE COVER ASSEMBLY		1		zadn	
039		INC. 40-42					

040	KF00000195	XGT LOGO LABEL		1		
041	KF00000028	FOOT		4		
042	KF00000132	SILICONE BUTTON		1		
043	KF00000176	BASE NAME PLATE		1		
051	KF00000080	COUNTERSUNK SCREW ST3X12		1		
052	KF00000080	COUNTERSUNK SCREW ST3X12		2		
053	KF00000210	TAPPING SCREW ST3X12		3		
054	KF00000210	TAPPING SCREW ST3X12		3		
055	KF00000210	TAPPING SCREW ST3X12		5		
056	KF00000211	TAPPING SCREW ST3X12		9		
057	KF00000089	TAPPING SCREW ST3X8		2		
058	KF00000212	TAPPING SCREW ST3X8		2		
059	KF00000212	TAPPING SCREW ST3X8		2		
060	KF00000212	TAPPING SCREW ST3X8		2		
061	KF00000212	TAPPING SCREW ST3X8		4		
062	KF00000212	TAPPING SCREW ST3X8		2		
063	KF00000212	TAPPING SCREW ST3X8		3		
065	KF00000119	SEAL RING		1		

Prosím uveďte objednáč í číslo dílu v objednávce

Datum tisku 30. 10. 2024