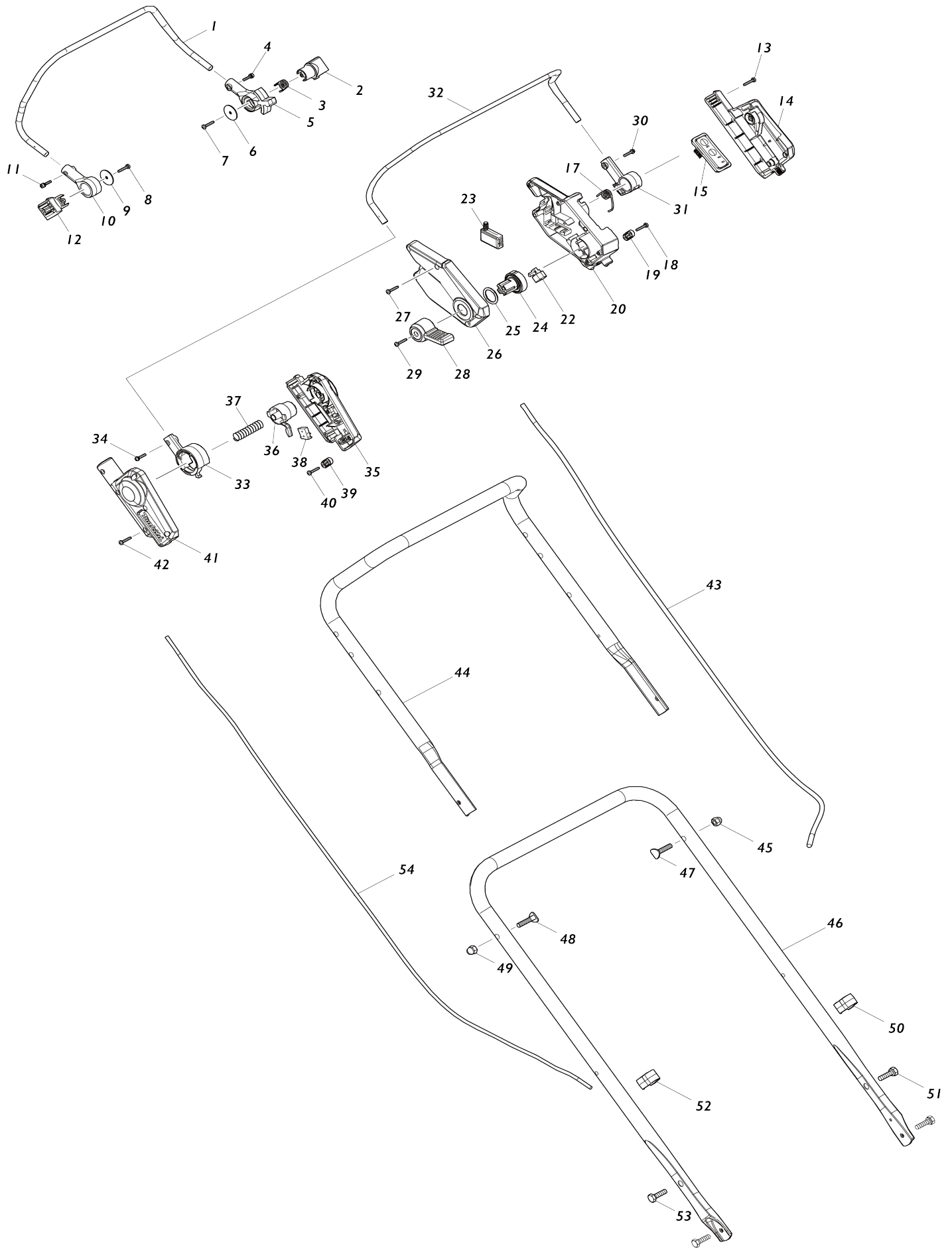
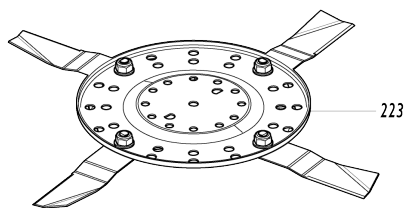
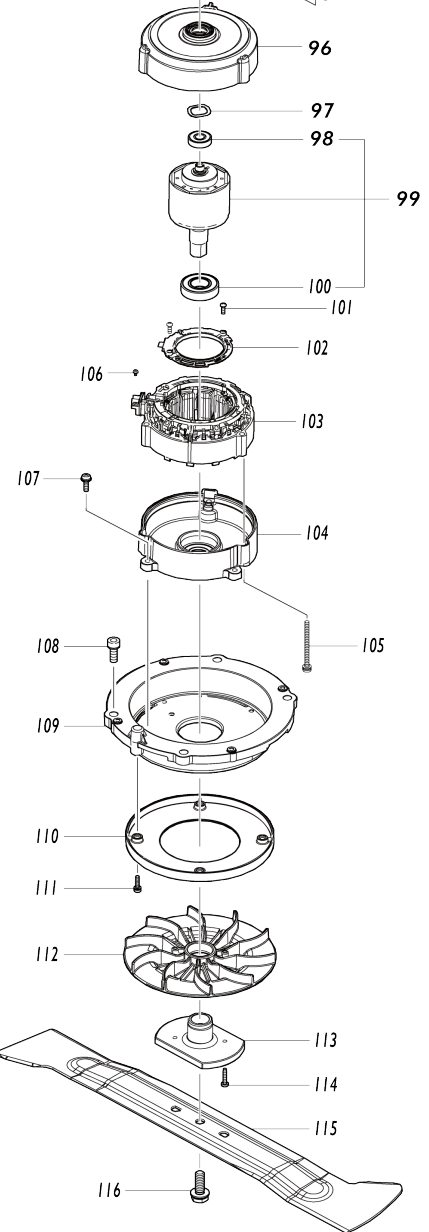
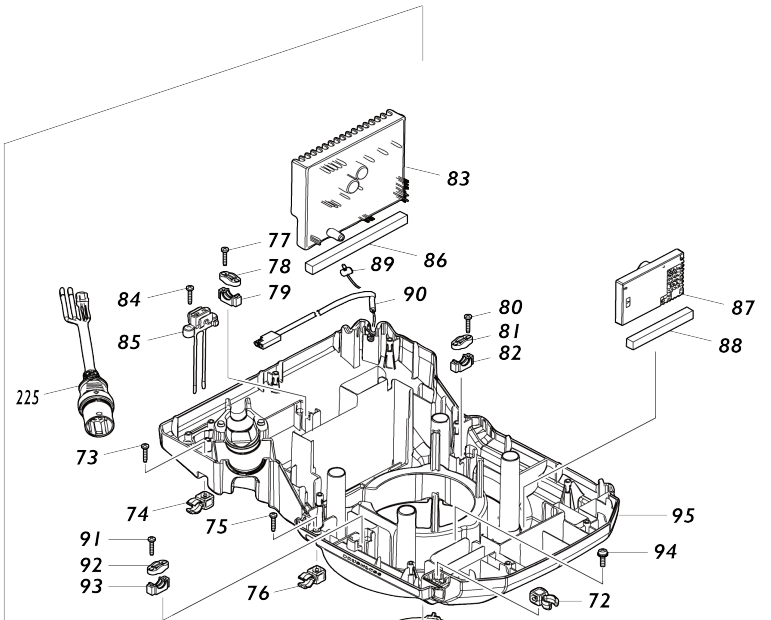
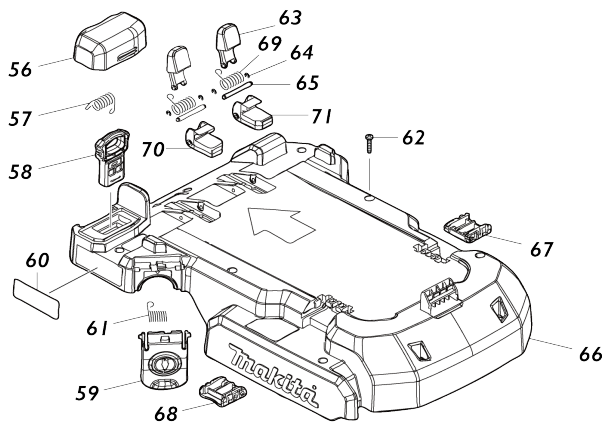


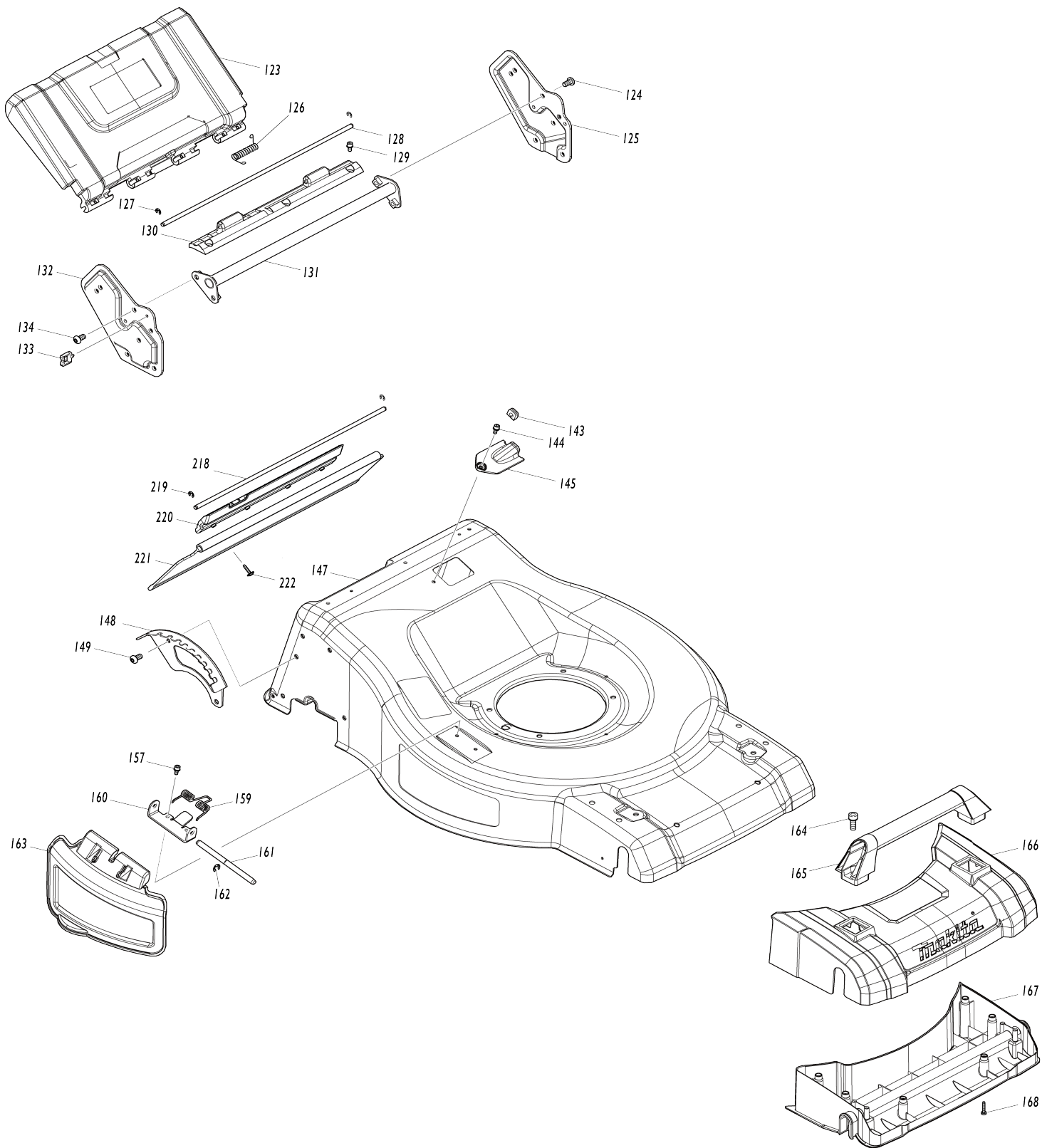
# Model No. LM001C BATTERY POWERED LAWN MOWER



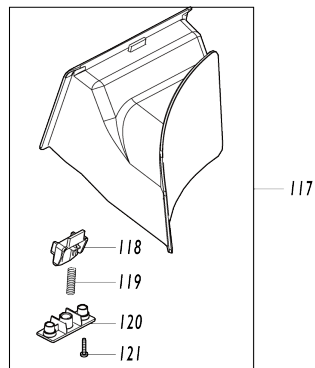
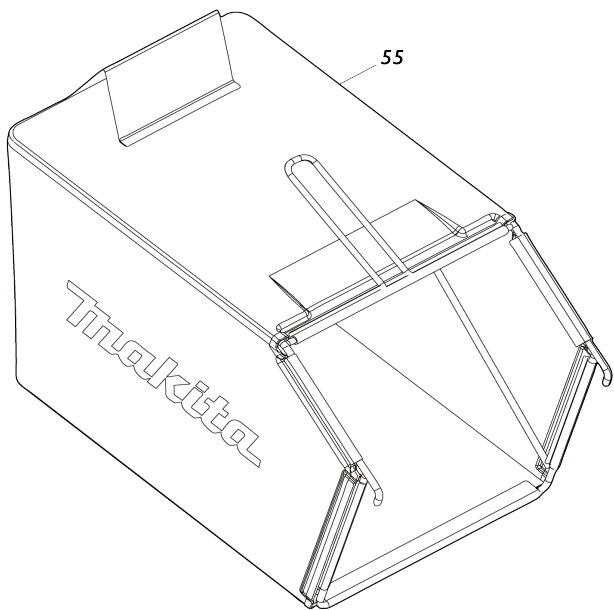
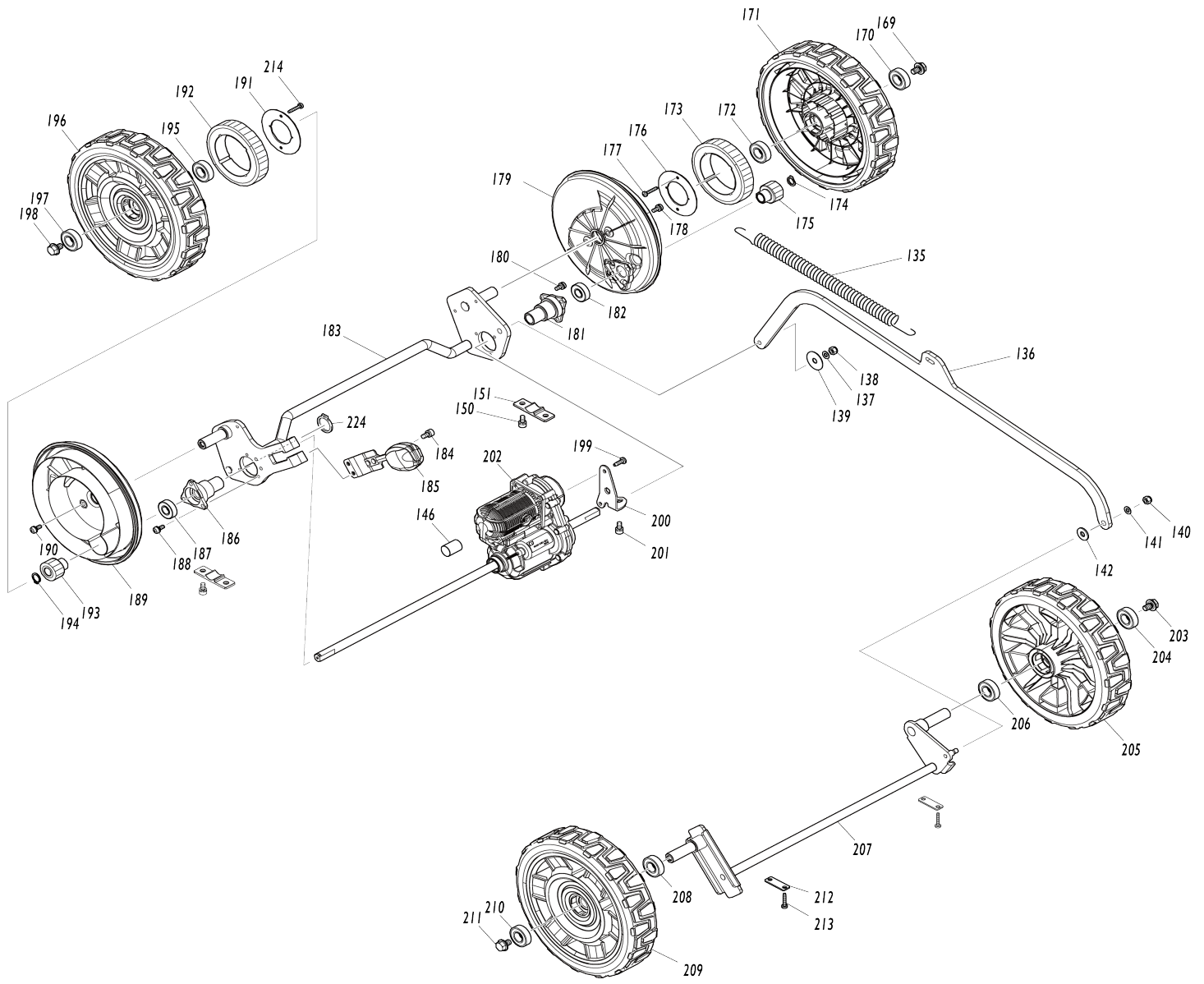
# Model No. LM001C BATTERY POWERED LAWN MOWER



# Model No. LM001C BATTERY POWERED LAWN MOWER



# Model No.LM001C BATTERY POWERED LAWN MOWER



**Model No.LM001C BATTERY POWERED LAWN MOWER**

Obj. č.	Obj. č.	Popis	Možnost záměny	Množství	Nový/Starý	Poznámka 1	Poznámka 2
001	327425-6	DRIVING LEVER		1		p	
002	459859-6	DRIVING LEVER HOLDER		1		dr	
003	232566-4	TORSION SPRING 12		1		pru	
004	911138-5	P.H.SCREW M4X20 WITH WR		1			
005	459864-3	DRIVING LEVER SUPPORT L		1		podp	
C10	931102-0	matka M4		1		matka M4	
006	267136-0	podložka 5		1		podlo	
007	266424-2	TAPPING SCREW 4X20		1			
008	266424-2	TAPPING SCREW 4X20		1			
009	267136-0	podložka 5		1		podlo	
010	459858-8	DRIVING LEVER SUPPORT R		1		podp	
C10	931102-0	matka M4		1		matka M4	
011	911138-5	P.H.SCREW M4X20 WITH WR		1			
012	459859-6	DRIVING LEVER HOLDER		1		dr	
013	266424-2	TAPPING SCREW 4X20		6			
014	183575-9	SWITCH BOX SET		1		pouzdro vyp	
014		INC. 26					
015	141C58-9	SWITCH CIRCUIT COMPLETE		1		elektronika vyp	
C10	8031N1-9	SWITCH LABEL		1			
017	232575-3	TORSION SPRING 12		1		pru	
018	266424-2	TAPPING SCREW 4X20		2			
019	687123-7	spona kabelu MT601		1			
020	413824-9	SWITCH BOX		1		vyp	
022	620415-1	SUB CONTROLLER		1		vnit	
023	651083-9	SWITCH C3XA-1PSPM		1		vyp	
024	459866-9	SPEED LEVER HOLDER		1		p	
025	213897-0	O-RING 26		1		o krou	
026	183575-9	SWITCH BOX SET		1		pouzdro vyp	
026		INC. 14					
027	266424-2	TAPPING SCREW 4X20		5			
028	459865-1	SPEED LEVER		1		p	
029	266424-2	TAPPING SCREW 4X20		1			
030	911138-5	P.H.SCREW M4X20 WITH WR		1			
031	459863-5	SWITCH LEVER SUPPORT L		1		podp	
C10	931102-0	matka M4		1		matka M4	
032	327424-8	SWITCH LEVER		1		p	
033	459856-2	SWITCH LEVER SUPPORT R		1		podp	
C10	931102-0	matka M4		1		matka M4	
034	911138-5	P.H.SCREW M4X20 WITH WR		1			
035	183P40-0	LEVER BOX SET		1	*	obal vyp	
C10	8007C6-9	INDICATION LABEL		1	*		
035		INC. 41			*		
035-1	183X73-3	LEVER BOX SET	O	1		obal vyp	
C10	8007C6-9	INDICATION LABEL		1			
035-1		INC. 41					
036	459857-0	LOCK OFF BUTTON		1		vyp	
037	231227-3	COMPRESSION SPRING 15		1			
038	632E26-0	SWITCH UNIT		1		vyp	

039	687124-5	držák kabelu		1		dr	
040	266424-2	TAPPING SCREW 4X20		2			
041	183P40-0	LEVER BOX SET		1	*	obal vyp	
C10	8007C6-9	INDICATION LABEL		1	*		
041		INC. 35			*		
041-1	183X73-3	LEVER BOX SET	O	1		obal vyp	
C10	8007C6-9	INDICATION LABEL		1			
041-1		INC. 35					
042	266424-2	TAPPING SCREW 4X20		6			
043	699162-5	POWER SUPPLY CORD UNIT		1		kabel	
044	327421-4	HANDLE UPPER		1		dr	
045	252278-3	HEX. CAP NUT M8		1		matka	
046	327422-2	HANDLE LOWER		1		dr	
047	265A62-3	FLAT HEAD BOLT M8X38		1			
048	265A62-3	FLAT HEAD BOLT M8X38		1			
049	252278-3	HEX. CAP NUT M8		1		matka	
050	459905-5	CLAMP		1		spona	
051	921451-3	šroub M8x30		2			
052	459905-5	CLAMP		1		spona	
053	921451-3	šroub M8x30		2			
054	699142-1	POWER SUPPLY CORD UNIT		1		kabel	
055	127412-3	GRASS CATCHER ASSEMBLY		1	*		
055-1	122B20-7	GRASS CATCHER ASSEMBLY	O	1	*	ko	
C10	162976-0	GRASS CATCHER		1	*		
C20	327866-6	GRASS CATCHER BRACKET		1	*	r	
055-2	122J09-3	GRASS CATCHER ASSEMBLY	<	1			
C10	162E07-5	GRASS CATCHER		1			
C20	327F04-6	GRASS CATCHER BRACKET		1			
056	413409-1	KEY COVER		1		kl	
057	232681-4	TORSION SPRING 4		1		pru	
058	643535-4	KEY		1		kl	
059	413408-3	COVER		1		kryt	
060	811E55-8	LM001C NAME PLATE		1			
061	232681-4	TORSION SPRING 4		1		pru	
062	266424-2	TAPPING SCREW 4X20		9			
063	413413-0	LEVER		2		p	
064	961017-7	zajišťovací kroužek E-3		4		zaji	
065	327834-9	ROD 4		2		ty	
066	141D09-8	COWLING UPPER COMPLETE		1	*	chlezen	
C10	8031N2-7	CAUTION LABEL		1	*		
C20	8031N3-5	INDICATION LABEL		1	*		
066-1	1410L0-6	COWLING UPPER COMPLETE	O	1			
C10	8076D0-3	CAUTION LABEL		1			
C20	8031N3-5	INDICATION LABEL		1			
067	413432-6	LATCH B		1		spona B	
068	413432-6	LATCH B		1		spona B	
069	232681-4	TORSION SPRING 4		2		pru	
070	312B03-7	HOOK R		1		h	
071	312B02-9	HOOK L		1		h	
072	413613-2	HOLDER		1		dr	
073	266424-2	TAPPING SCREW 4X20		1			
074	413613-2	HOLDER		1		dr	

075	266424-2	TAPPING SCREW 4X20		1		
076	413613-2	HOLDER		1	dr	
077	266424-2	TAPPING SCREW 4X20		2		
078	687123-7	spona kabelu MT601		1		
079	687051-6	svorka kabelu - nahrazuje 261041		1	svorka kabelu - nahrazuje 261041	
080	266424-2	TAPPING SCREW 4X20		2		
081	687124-5	držák kabelu		1	dr	
082	687051-6	svorka kabelu - nahrazuje 261041		1	svorka kabelu - nahrazuje 261041	
083	620E76-7	CONTROLLER		1	ovl	
084	266424-2	TAPPING SCREW 4X20		2		
085	638A15-9	LEAD UNIT		1	elektronika	
086	422529-0	SPONGE B		1	p	
087	620E95-3	CONTROLLER		1	ovl	
088	422528-2	SPONGE A		1	p	
089	620C94-3	LED CIRCUIT		1	elektronika	
090	699145-5	POWER SUPPLY CORD UNIT		1	kabel	
091	266424-2	TAPPING SCREW 4X20		2		
092	687124-5	držák kabelu		1	dr	
093	687051-6	svorka kabelu - nahrazuje 261041		1	svorka kabelu - nahrazuje 261041	
094	911233-1	šroub M5x20		4		
095	136404-1	COWLING LOWER ASSY		1	chlazení	
095		INC. 86,88				
096	319869-4	MOTOR HOUSING UPPER		1	obal motoru	
097	253455-0	WAVE WASHER 19		1	podlo	
098	210141-6	BALL BEARING 6000DDW		1	lo	
099	519606-8	ROTOR ASS'Y		1	rotor	
099		INC. 98,100				
100	211387-7	BALL BEARING 6004LLU		1		
101	265B29-7	TAPPING SCREW PT 2X8		2		
102	620B88-2	CONTROLLER B		1	ovl	
103	629465-3	STATOR		1	stator	
104	319870-9	MOTOR HOUSING LOWER		1	obal motoru	
105	911691-1	šroub 5x70		3		
106	652031-1	PAN HEAD SCREW M3X6		3		
107	911233-1	šroub M5x20		4		
108	922441-9	HEX. SOCKET HEAD BOLT M8X25		4		
109	319867-8	MOTOR BRACKET		1	konzola motoru	
110	459853-8	BAFFLE PLATE		1	deska	
111	911126-2	šroub M4x16		4		
112	240205-2	FAN 170		1	v	
113	319868-6	BLADE SUPPORT		1	dr	
114	266424-2	TAPPING SCREW 4X20		2		
115	191D52-7	BLADE 530 SET		1	*	
115-1	191W87-2	BLADE 530 SET	O	1		
116	265A69-9	HEX. BOLT M10X35 WITH WG		1	*	
116-1	265D72-8	HEX. BOLT M10X35 WG	<	1		
117	127516-1	MULCHING PLUG ASSEMBLY		1	mul	
117		INC. 118-121				
118	459884-7	LOCK LEVER		1		

119	231401-3	vinutá pružina 7		1		vinut	
120	459885-5	LOCK LEVER SUPPORT		1			
121	266424-2	TAPPING SCREW 4X20		2			
123	140R96-8	REAR FLAP COMPLETE		1	*	zadn	
C10	8007P8-6	CAUTION LABEL		1	*		
123-1	1410K8-3	REAR FLAP COMPLETE	O	1			
C10	8076C7-2	CAUTION LABEL		1			
124	265B20-5	HEX.SOCKET BUTTON HEAD BOLT M8		4			
125	347579-3	HANDLE BRACKET L		1		dr	
126	233597-6	TORSION SPRING 8		1		pru	
127	961018-5	zajišťovací kroužek E-5		2		zaji	
128	327418-3	ROD 6		1		ty	
129	922213-2	H.S.H.BOLT M5X12 WITH WR		3			
130	459877-4	REAR FLAP HOLDER PLATE		1		dr	
131	162692-4	REAR GRIP		1		dr	
132	347578-5	HANDLE BRACKET R		1		dr	
133	451825-9	CLAMP		1			
134	265B20-5	HEX.SOCKET BUTTON HEAD BOLT M8		4			
135	232628-8	TENSION SPRING 16		1	*	pru	
135-1	232711-1	TENSION SPRING 15	<	1		pru	
136	347580-8	CONNECTING ROD		1		ty	
137	941151-9	podložka 6 = old 253047-5		1		podlo	
138	252014-7	samojistící matice M6		1		samojist	
139	267216-2	podložka 8 BO3700=old253814-8		1		podlo	
140	252014-7	samojistící matice M6		1		samojist	
141	941151-9	podložka 6 = old 253047-5		1		podlo	
142	253762-1	Scheibe 8		1		podlo	
143	422526-6	GROMMET		1		pr	
144	922213-2	H.S.H.BOLT M5X12 WITH WR		1			
145	459880-5	LEAD COVER		1		pouzdro	
146	683A20-1	POLYOLEFIN TUBE		1		pouzdro	
147	141D12-9	DECK COMPLETE		1		kryt	
C10	8031N4-3	CAUTION LABEL		1			
148	347582-4	HEIGHT ADJUST PLATE		1		nastaven	
149	265B20-5	HEX.SOCKET BUTTON HEAD BOLT M8		2			
150	922311-2	HEX. SOCKET HEAD BOLT M6X12		4			
151	313290-9	REAR SHAFT HOLDER COVER		2		zadn	
157	922213-2	H.S.H.BOLT M5X12 WITH WR		2			
159	232567-2	TORSION SPRING 9		1		pru	
160	347584-0	SIDE DISCHARGE PLATE		1		deska	
161	327420-6	ROD 8		1		ty	
162	961013-5	zajišťovací kroužek		1		zaji	
163	459886-3	SIDE DISCHARGE COVER		1		kryt	
164	922441-9	HEX. SOCKET HEAD BOLT M8X25		2			
165	459870-8	FRONT GRIP		1		p	
166	459871-6	FRONT COVER		1		p	
167	459872-4	DECK UNDER COVER		1		zadn	
168	266424-2	TAPPING SCREW 4X20		6			
169	265324-3	šroub M8 LS1013		1			



170	211247-3	BALL BEARING 6002DDW		1		
171	127513-7	REAR WHEEL ASSEMBLY		1		kolo
172	211247-3	BALL BEARING 6002DDW		1		
173	226941-4	SPUR GEAR 49		1		vzp
174	961052-5	segrovka vnější S-12		1		segrovka
175	226940-6	SPUR GEAR 12		1		vzp
176	347586-6	GEAR HOLDER PLATE		1		deska
177	266424-2	TAPPING SCREW 4X20		2		
178	911213-7	šroub M5x12		2		
179	459867-7	WHEEL CAP		1		v
180	911213-7	šroub M5x12		3		
181	327426-4	REAR SHAFT HOLDER		1		zadn
182	210163-6	BALL BEARING 6001DDW		1		lo
183	162689-3	REAR SHAFT		1		zadn
184	922311-2	HEX. SOCKET HEAD BOLT M6X12		2		
185	162694-0	HEIGHT ADJUST LEVER COMPLETE		1		nasteven
186	313369-6	REAR SHAFT HOLDER R		1		
187	210163-6	BALL BEARING 6001DDW		1		lo
188	911213-7	šroub M5x12		3		
189	459867-7	WHEEL CAP		1		v
190	911213-7	šroub M5x12		2		
191	347586-6	GEAR HOLDER PLATE		1		deska
192	226941-4	SPUR GEAR 49		1		vzp
193	226940-6	SPUR GEAR 12		1		vzp
194	961052-5	segrovka vnější S-12		1		segrovka
195	211247-3	BALL BEARING 6002DDW		1		
196	127513-7	REAR WHEEL ASSEMBLY		1		kolo
197	211247-3	BALL BEARING 6002DDW		1		
198	265324-3	šroub M8 LS1013		1		
199	266388-0	TAPPING SCREW 5X16		2		
200	347585-8	BRACKET		1		konzola
201	922311-2	HEX. SOCKET HEAD BOLT M6X12		1		
202	127510-3	DRIVE UNIT ASSEMBLY		1		veden
203	265324-3	šroub M8 LS1013		1		
204	211247-3	BALL BEARING 6002DDW		1		
205	127514-5	FRONT WHEEL ASSEMBLY		1		zadn
206	211247-3	BALL BEARING 6002DDW		1		
207	162688-5	FRONT SHAFT		1		p
208	211247-3	BALL BEARING 6002DDW		1		
209	127514-5	FRONT WHEEL ASSEMBLY		1		zadn
210	211247-3	BALL BEARING 6002DDW		1		
211	265324-3	šroub M8 LS1013		1		
212	341462-6	držák ložiska= old 098029, old 09609		2		dr
213	266424-2	TAPPING SCREW 4X20		4		
214	266424-2	TAPPING SCREW 4X20		2		
224	961059-1	RETAINING RING (EXT) S-19		1		
225	699163-3	POWER SUPPLY CORD UNIT		1		kabel
A01	327589-6	ROD 6		1		
A02	782210-8	klíč 17		1		
A03	782212-4	klíč 13		1		kl

A04	459887-1	SIDE DISCHARGE MOUTH		1			
E01	8031M9-6	SOUND LABEL		1	*		
E01-1	8048W2-5	SOUND LABEL	<	1			
F01	191D48-8	SWING BACK BLADE 530 SET		1			
F02	191D50-1	SWING BACK BLADE 530 CPL. SE T		1			
F03	191D52-7	BLADE 530 SET		1			

Prosím uveďte objednáací číslo dílu v objednávce

Datum tisku 30. 10. 2024