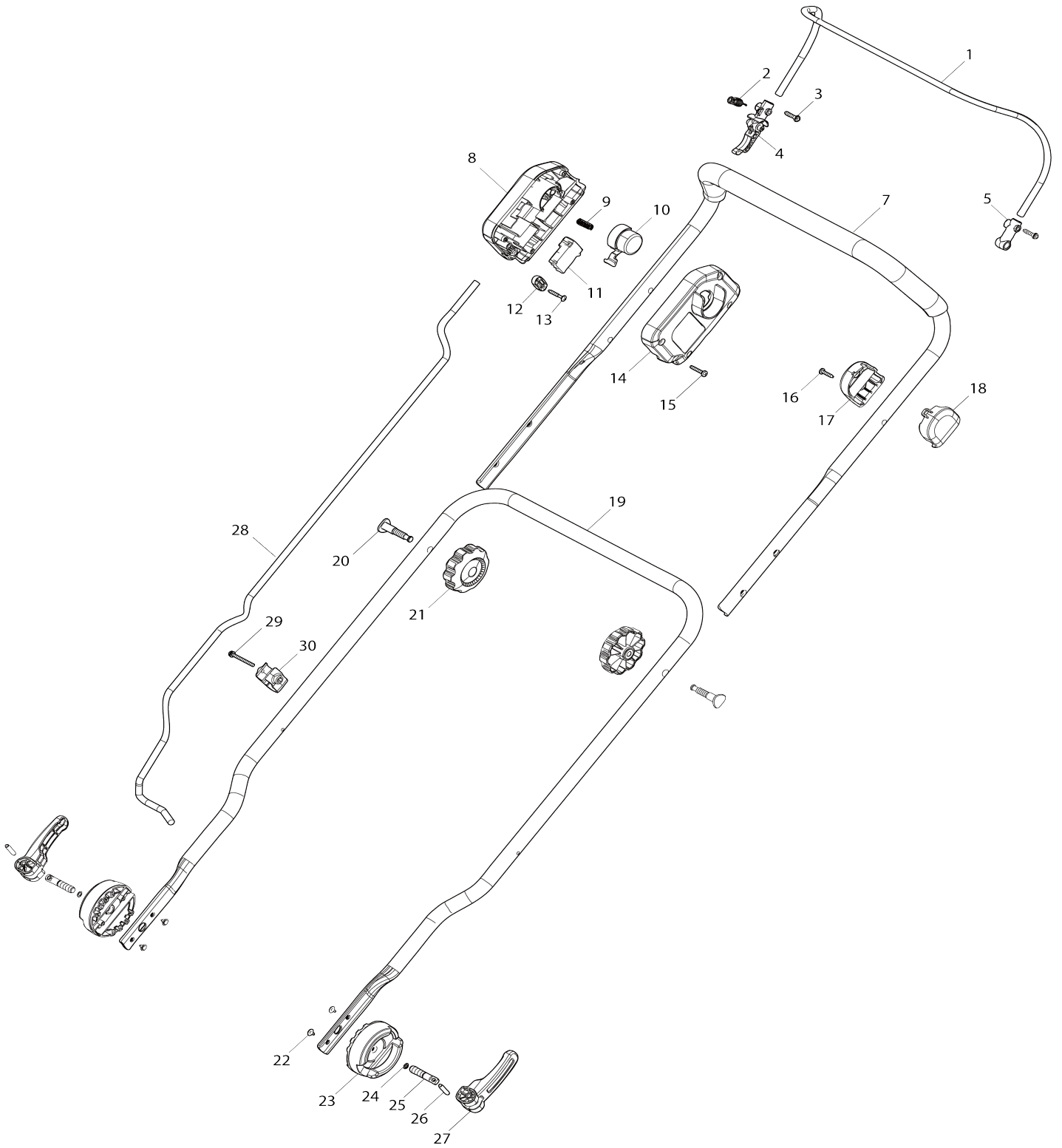
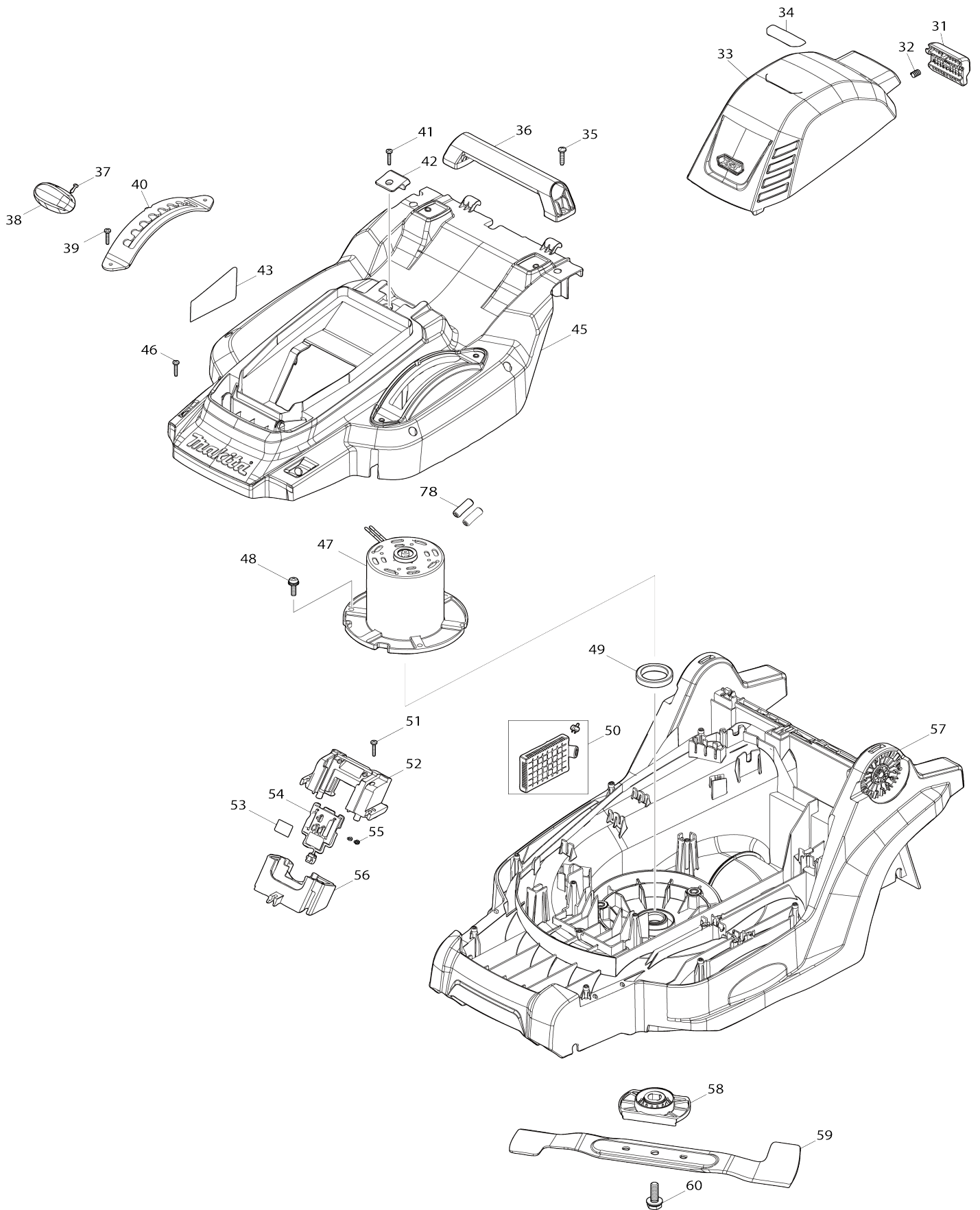


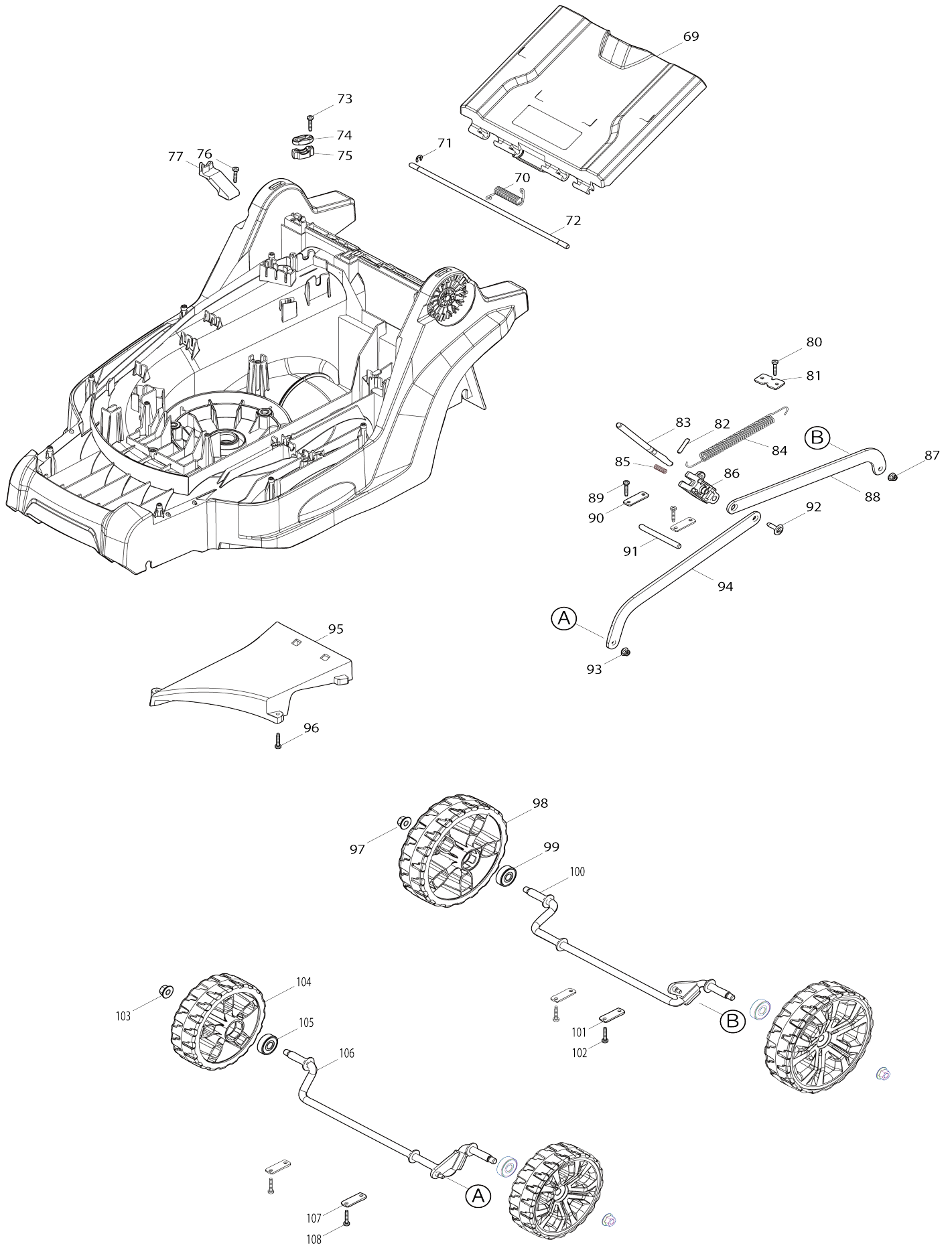
# Model No.LM003G 380MM CORDLESS LAWN MOWER



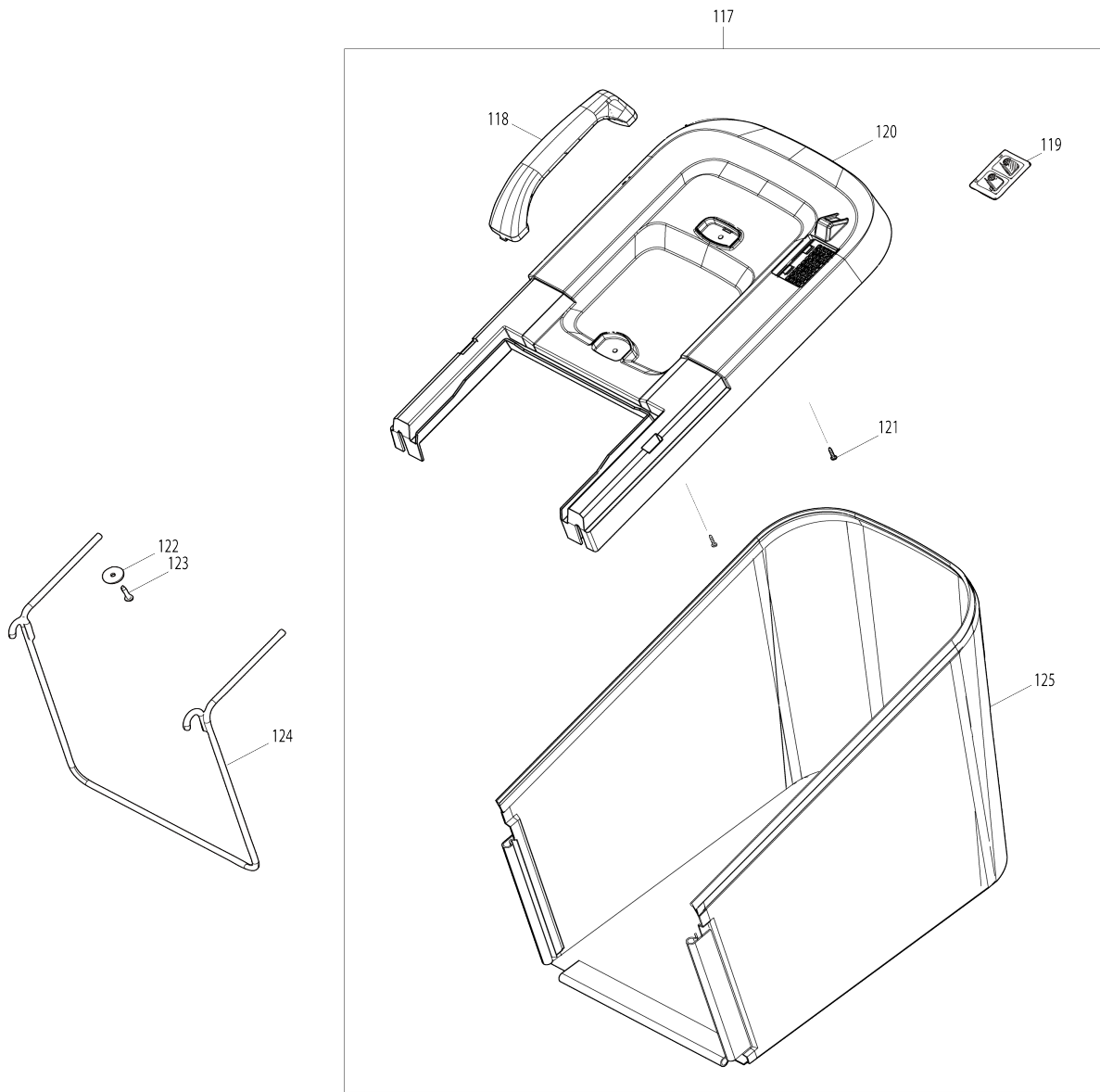
# Model No.LM003G 380MM CORDLESS LAWN MOWER



# Model No. LM003G 380MM CORDLESS LAWN MOWER



Model No.LM003G 380MM CORDLESS LAWN MOWER



**Model No.LM003G 380MM CORDLESS LAWN MOWER**

Obj. č.	Obj. č.	Popis	Možn ost zá měny	Množ ství	Nový/ Starý	Poznámka 1	Poznámka 2
001	327C33-1	SWITCH LEVER		1		sp	
002	232814-1	TENSION SPRING 7		1		pru	
003	911138-5	P.H.SCREW M4X20 WITH WR		2			
004	455075-8	LEVER		1		p	
005	455078-2	ARM		1			
007	141T11-7	UPPER PIPE COMPLETE		1		horn	
008	1830C3-1	SWITCH BOX SET		1		vyp	
C10	8053U7-4	INDICATION LABEL		1			
008		INC. 14					
009	233068-3	COMPRESSION SPRING 6		1		pru	
010	455074-0	SWITCH BUTTON		1		tla	
011	650041-2	SWITCH TG772BDS-1		1		vyp	
012	687124-5	držák kabelu		1		dr	
013	265999-8	TAPPING SCREW 4X25		2			
014	1830C3-1	SWITCH BOX SET		1		vyp	
C10	8053U7-4	INDICATION LABEL		1			
014		INC. 8					
015	266424-2	TAPPING SCREW 4X20		4			
016	266326-2	šroub 4x18=new265995-6		1			
017	456352-1	SWITCH LEVER CASE COVER		1		sk	
018	456351-3	SWITCH LEVER CASE		1		sk	
019	327C30-7	LOWER PIPE		1		spodn	
020	265C08-1	FLAT HEAD BOLT M8X50		2			
021	265C06-5	THUMB NUT M8		2		matice	
022	265B81-5	TAPPING SCREW FLANGE 3X6		4		p	
023	413T46-1	SUPPORT		2		podp	
024	213877-6	O-RING 6		2			
025	327C36-5	LOCK PIN		2			
026	951119-7	SPRING PIN 4-24		2			
027	413T47-9	LEVER		2		p	
028	699230-4	POWER SUPPLY CORD UNIT		1		kabel	
029	911163-6	PAN HEAD SCREW M4X35		1			
030	413944-9	CLAMP		1			
C10	931102-0	matka M4		1		matka M4	
031	413B03-1	LOCK LEVER		1		zamykac	
032	231037-8	vinutá pružina 7		1		vinut	
033	141T10-9	BATTERY COVER COMPLETE		1		kryt baterie	
034	8071M8-0	INDICATION LABEL		1			
035	266459-3	TAPPING SCREW 5X25		2			
036	273675-0	GRIP A		1		dr	
037	266816-5	+ PAN HEAD SCREW M3X12 WIT H WR		2			
038	413939-2	HEIGHT ADJUST LEVER GRIP		1			
039	266424-2	TAPPING SCREW 4X20		2			
040	162C76-4	HEIGHT ADJUST PLATE		1		deska	
041	266424-2	TAPPING SCREW 4X20		1			
042	413T52-6	HOOK		1		h	
043	8142A8-5	LM003G NAME PLATE		1			

045	137034-1	COWLING ASS'Y		1			
046	266424-2	TAPPING SCREW 4X20		8			
047	629C41-1	DC MOTOR		1	*	DC motor	
047-1	629C41-1	DC MOTOR	O	1		DC motor	
048	265A53-4	+ PAN HEAD SCREW M6X22 WIT H WR		3			
049	688238-3	LINE FILTER		1		filtr	
050	620M32-5	CONTROLLER		1		ovlada	
051	266424-2	TAPPING SCREW 4X20		3			
052	1830A2-9	TERMINAL HOUSING SET		1		koncovka	
C10	263005-3	vymezovací čep 6		2			
052		INC. 56					
053	8142B3-2	LM003G SERIAL NO. LABEL		1			
054	632T08-2	TERMINAL UNIT		1		patice VC001-005G	
055	652031-1	PAN HEAD SCREW M3X6		2			
056	1830A2-9	TERMINAL HOUSING SET		1		koncovka	
C10	263005-3	vymezovací čep 6		2			
056		INC. 52					
057	413T39-8	DECK		1		kryt	
C10	347B63-0	PLATE NUT M8		2			
058	413T45-3	BLADE SUPPORT		1		dr	
059	1913G8-3	BLADE 380 SET		1			
060	265A69-9	HEX. BOLT M10X35 WITH WG		1	*		
060-1	265D72-8	HEX. BOLT M10X35 WG	<	1			
069	141T59-9	REAR FLAP COMPLETE		1		zadn	
C10	8054C4-0	CAUTION LABEL		1			
070	233597-6	TORSION SPRING 8		1		pru	
071	961018-5	zajišťovací kroužek E-5		1		zaji	
072	327C37-3	ROD 6		1		ty	
073	266424-2	TAPPING SCREW 4X20		2			
074	687124-5	držák kabelu		1		dr	
075	687051-6	svorka kabelu - nahrazuje 26104 1		1		svorka kabelu - nahra zuje 261041	
076	266424-2	TAPPING SCREW 4X20		1			
077	413T62-3	LED HOLDER		1		dr	
078	688165-4	LINE FILTER		2		st	
080	266424-2	TAPPING SCREW 4X20		2			
081	347870-9	HOOK PLATE		1			
082	951119-7	SPRING PIN 4-24		1			
083	327C32-3	HEIGHT ADJUST LEVER		1		p	
084	232815-9	TENSION SPRING 12		1		pru	
085	232430-9	COMPRESSION SPRING 5		1		pru	
086	413T51-8	ROD HOLDER		1		dr	
087	252286-4	COLLARED HEX.LOCK NUT M5-8		1		matka M5-8 DUB184 =old252103-8	
088	347B62-2	CONNECTING ROD R		1		ty	
089	266424-2	TAPPING SCREW 4X20		4			
090	347869-4	PLATE		2			
091	256A45-4	ROD 7		1		ty	
092	265C05-7	TAPPING SCREW FRANGE 5X20		1			
093	252286-4	COLLARED HEX.LOCK NUT M5-8		1		matka M5-8 DUB184 =old252103-8	
094	347B61-4	CONNECTING ROD F		1		ty	

095	413T42-9	UNDER COVER		1	spodn	
096	266424-2	TAPPING SCREW 4X20		4		
097	252145-2	pastorek		2		
098	413U87-3	REAR WHEEL		2	zadn	
099	210070-3	BALL BEARING 6200ZZ		2	kuli	
100	162C74-8	REAR SHAFT		1	zadn	
101	347869-4	PLATE		2		
102	266424-2	TAPPING SCREW 4X20		4		
103	252145-2	pastorek		2		
104	413U86-5	FRONT WHEEL		2	p	
105	210070-3	BALL BEARING 6200ZZ		2	kuli	
106	162C73-0	FRONT SHAFT		1	p	
107	347869-4	PLATE		2		
108	266424-2	TAPPING SCREW 4X20		4		
117	122F55-2	REAR BAG ASSEMBLY		1	ko	
117		INC. 118-121,125				
118	413T48-7	GRIP		1		
119	459806-7	INDICATOR M		1		
120	413T44-5	REAR BAG COVER		1		
121	266424-2	TAPPING SCREW 4X20		2		
122	267438-4	FLAT WASHER 5		2	podlo	
123	266424-2	TAPPING SCREW 4X20		2		
124	327C29-2	REAR BAG ROD		1	r	
125	162C75-6	REAR BAG		1		
A01	1913H2-2	MULCHING PLUG 380 SET		1		
A02	782210-8	klíč 17		1		
A03	412393-7	BATTERY COVER		1		
A04	***DC40WB	DC40WB CHARGER		1		
A04	***DC40RC	DC40RC FAST CHARGER		1		
A04		COMPO-PARTS				
A05	191B26-6	BATTERY BL4040 SET		1		
E01	800A17-7	SOUND 94DB LABEL		1		

Prosím uveďte objednáčíslo dílu v objednávce

Datum tisku 30. 10. 2024