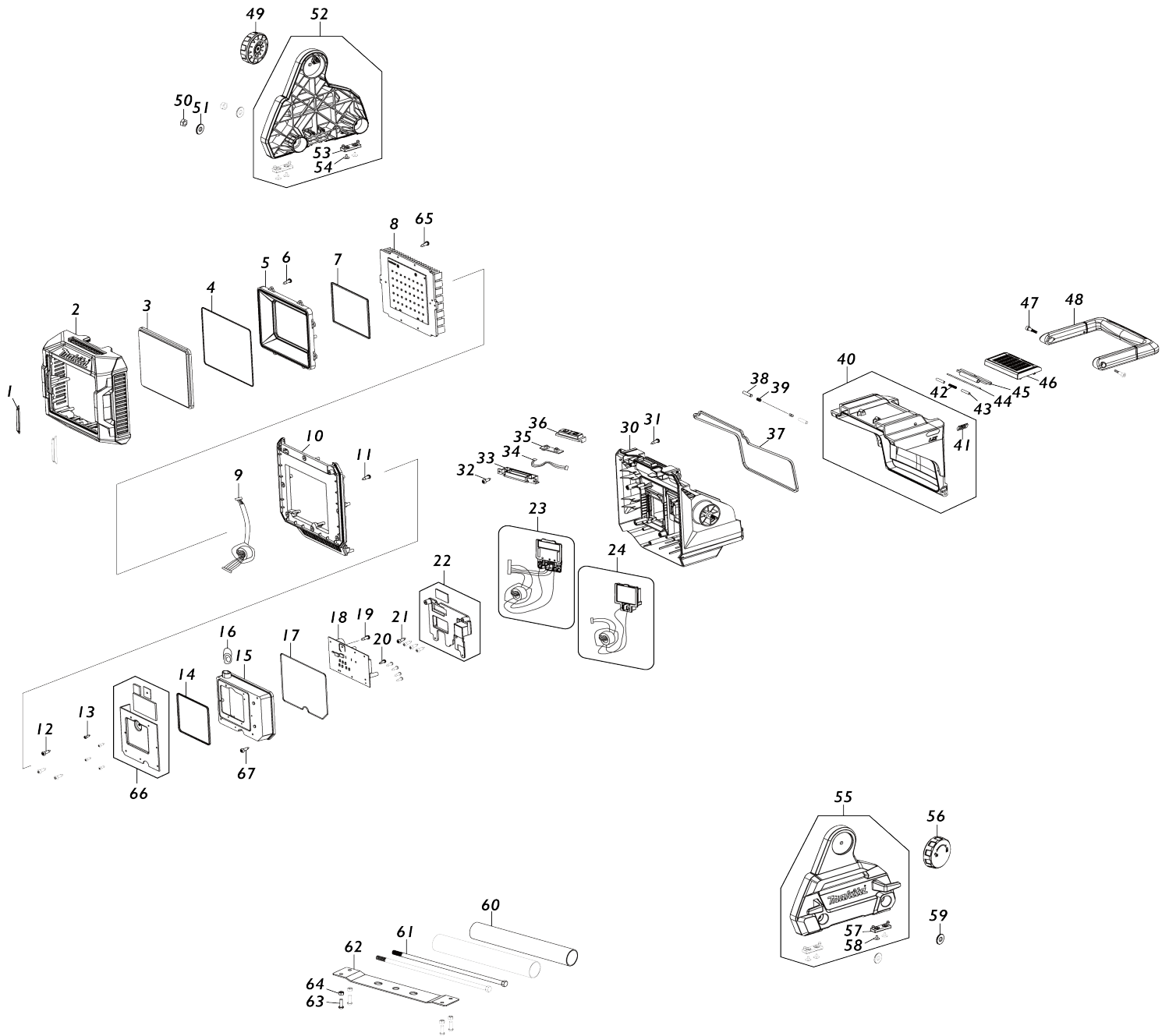


Model No. ML005G CORDLESS WORKLIGHT



Model No.ML005G CORDLESS WORKLIGHT

Obj. č.	Obj. č.	Popis	Možnost záměny	Množství	Nový/Starý	Poznámka 1	Poznámka 2
001	GM00002396	FRONT COVER PLATE		2		p	
002	GM00002380	FRONT COVER ASSY		1		p	
003	GM00002381	LENS		1			
004	GM00002382	O-RING		1		o-krou	
005	GM00002383	REFLECTOR ASSY		1		reflektor	
006	GM00001333	SCREW 3 X 12PB B0130120702		8			
007	GM00002384	O-RING		1		o-krou	
008	GM00002385	LED ASSY		1		led cpl.	
009	GM00002397	LEAD UNIT ASSY		1		ovl	
010	GM00002386	MID-BODY COVER		1		kryt	
011	GM00001333	SCREW 3 X 12PB B0130120702		8			
012	GM00002165	SCREW 3X18 PT		3			
013	GM00001395	SCREW 2.6X8PB B0126081102		4			
014	GM00002388	O-RING		1		o-krou	
015	GM00002389	POWER CASE		1		obal	
016	GM00002320	EVA		1		elektronika	
017	GM00002390	O-RING		1		o-krou	
018	GM00002415	MAIN PCBA ASSY		1	*	deska=newGM00002491	
018-1	GM00002491	MAIN PCBA ASSY	<	1		deska	
019	GM00002414	SCREW 3X8PM		1			
020	GM00001395	SCREW 2.6X8PB B0126081102		5			
021	GM00002165	SCREW 3X18 PT		4			
022	GM00002392	TERMINAL HOLDING PLATE ASSY		1		dr	
023	GM00002393	XGT TERMINAL ASSY		1		xgt patice	
024	GM00002394	LXT TERMINAL ASSY		1		lxt patice	
030	GM00002416	MID-BODY ASSY		1		obal	
031	GM00002165	SCREW 3X18 PT		10			
032	GM00002165	SCREW 3X18 PT		2			
033	GM00002406	SWITCH HOLDER		1		dr	
034	GM00002407	LEAD UNIT		1		ovl	
035	GM00002140	SWITCH PCBA ASSY		1		vyp	
036	GM00002141	SWITCH ASSY		1		vyp	
037	GM00002401	O-RING		1		o-krou	
038	GM00002403	SHAFT		2		h	
039	GM00002402	SPRING		2		pru	
040	GM00002404	BATTERY COVER ASSY		1		kryt baterie	
040		INC. 41					
041	GM00002310	XGT LABEL		1			
042	GM00002309	SPRING		1			
043	GM00002255	SHAFT A		2			
044	GM00002256	SHAFT B		1			
045	GM00002257	LATCH B		1		spona	
046	GM00002258	LATCH A		1		spona	
047	GM00002137	INSIDE-HEX SCREW		2			
048	GM00002405	HANDLE ASSY		1		rukoje	
049	GM00002160	LATCH KNOB ASSY		1		spona	
050	GM00002158	NUT M8		2		matka M8	

051	GM00002157	METAL OD20XID8.5X2MM		2	podlo	
052	GM00002413	STAND-LEFT ASSY		1	lev	
052		INC. 53,54				
053	GM00002154	RUBBER FOOT		2	guma	
054	GM00002164	SCREW 3X6 PWB		4		
055	GM00002417	STAND-RIGHT ASSY		1	prav	
055		INC. 57,58				
056	GM00002160	LATCH KNOB ASSY		1	spona	
057	GM00002154	RUBBER FOOT		2	guma	
058	GM00002164	SCREW 3X6 PWB		4		
059	GM00002157	METAL OD20XID8.5X2MM		2	podlo	
060	GM00002411	TUBE		2	trubka	
061	GM00002410	HEX. BOLT M8		2	hex.	
062	GM00002409	BASE PLATE		1	z	
063	GM00002408	SCREW 5X30PM		4		
064	GM00002155	NUT M5		4	matka M5	
065	GM00001333	SCREW 3 X 12PB B0130120702		12		
066	GM00002387	HEAT SINK ASSY		1	chladi	
067	GM00002165	SCREW 3X18 PT		1		
A01	GM00002358	LAMP SHADE		1		
A02	GM00002359	ANTI-GLARE FILM		1		

Prosím uveďte objednáací číslo dílu v objednávce

Datum tisku 30. 10. 2024