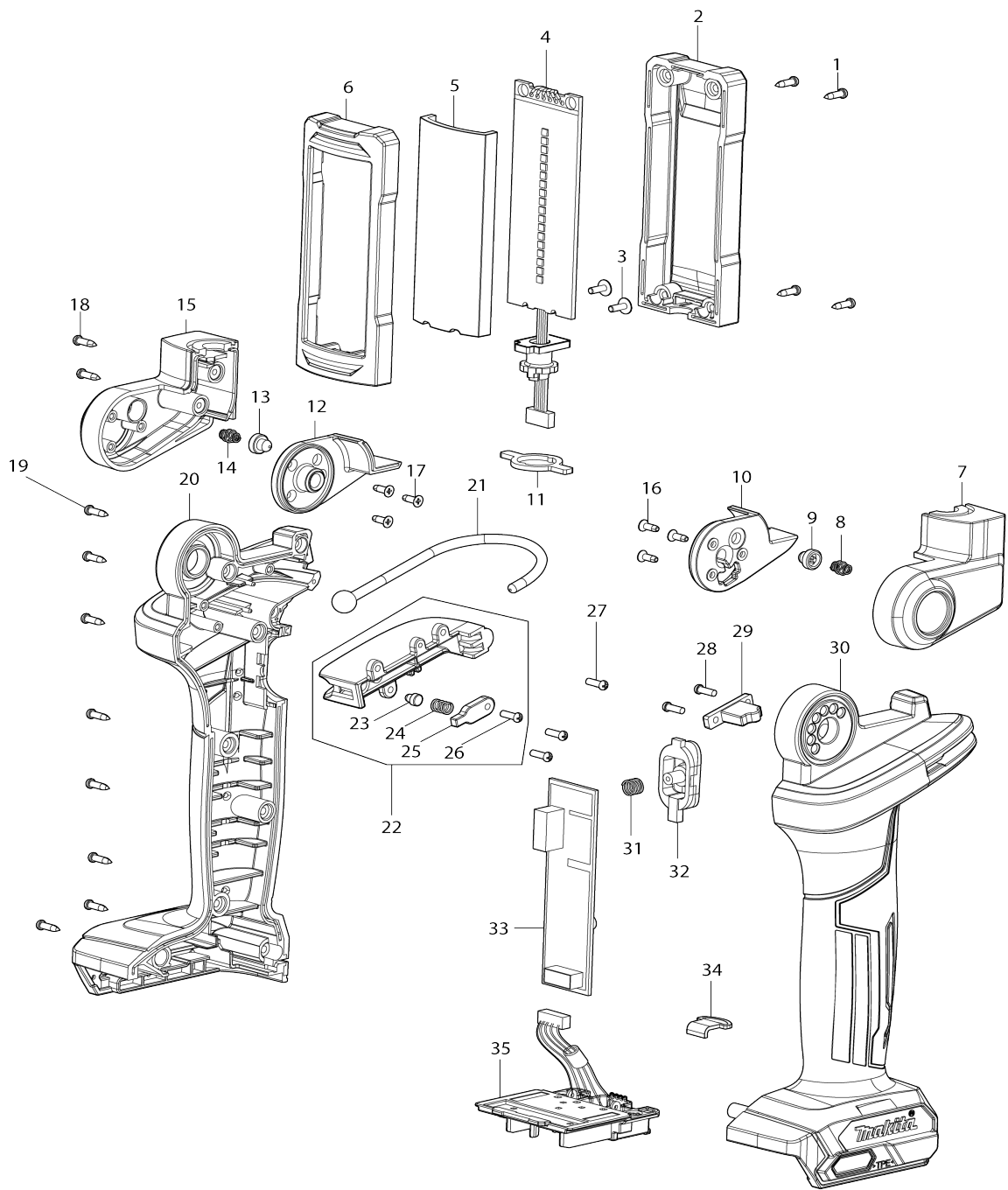


Model No.ML006G CORDLESS FLASHLIGHT



Model No.ML006G CORDLESS FLASHLIGHT

Obj. č.	Obj. č.	Popis	Možn ost zá měny	Množ ství	Nový/ Starý	Poznámka 1	Poznámka 2
001	GM00001269	SCREW 3X12PB(B0130120202)		4			
002	GM00002324	REAR CASE		1		zadn	
003	GM00001267	SCREW 2.6X8PWB(B0126080006)		2			
004	GM00002323	LED ASSY		1		led okruh	
005	GM00002322	LENS		1			
006	GM00002321	FRONT CASE		1		p	
007	GM00002325	LEFT ROTATOR		1		oto	
008	GM00001270	SPRING (B1214801020)		1		pru	
009	GM00001279	SPRING LID (C1020801001)		1		v	
010	GM00002326	LEFT ROTATOR BRACKET		1		dr	
011	GM00001282	FIX PLATE (C3020801001)		1		deska	
012	GM00002327	RIGHT ROTATOR BRACKET		1		prav	
013	GM00001279	SPRING LID (C1020801001)		1		v	
014	GM00001270	SPRING (B1214801020)		1		pru	
015	GM00002328	RIGHT ROTATOR		1		dr	
016	GM00001268	SCREW 2.6X10KA(B0126100121)		3			
017	GM00001268	SCREW 2.6X10KA(B0126100121)		3			
018	GM00001269	SCREW 3X12PB(B0130120202)		2			
019	GM00001269	SCREW 3X12PB(B0130120202)		8			
020	GM00002329	HOUSING ASSY		1		obal stroje	
020		INC. 30					
021	GM00002331	HANGING HOOK ASSY		1		zav	
022	GM00002330	HOOK COVER ASSY		1		h	
022		INC. 23-26					
023	GM00002339	LOCKING SHAFT		1		z	
024	GM00002340	SPRING		1		pru	
025	GM00002341	COVER		1		kryt	
026	GM00001322	SCREW 2.6X8 PB		1			
027	GM00001322	SCREW 2.6X8 PB		3			
028	GM00001322	SCREW 2.6X8 PB		2			
029	GM00002332	HOOK SUPPORT		1		dr	
030	GM00002329	HOUSING ASSY		1		obal stroje	
030		INC. 20					
031	GM00002249	SWITCH SPRING		1		pru	
032	GM00002333	SWITCH ASSY		1		vyp	
033	GM00002334	MAIN PCBA ASSY		1	*	deska=newGM00002 492	
033-1	GM00002492	MAIN PCBA ASSY	<	1		deska	
034	GM00002231	STRAP HOOK		1		h	
035	GM00002335	TERMINAL ASSY		1		terminal	
A01	GM00001288	SHOULDER HOOK SET G0180100 100		1			
A02	GM00001326	LAMP SHADE		1			

Prosím uveďte objednáč. číslo dílu v objednávce

Datum tisku 30. 10. 2024