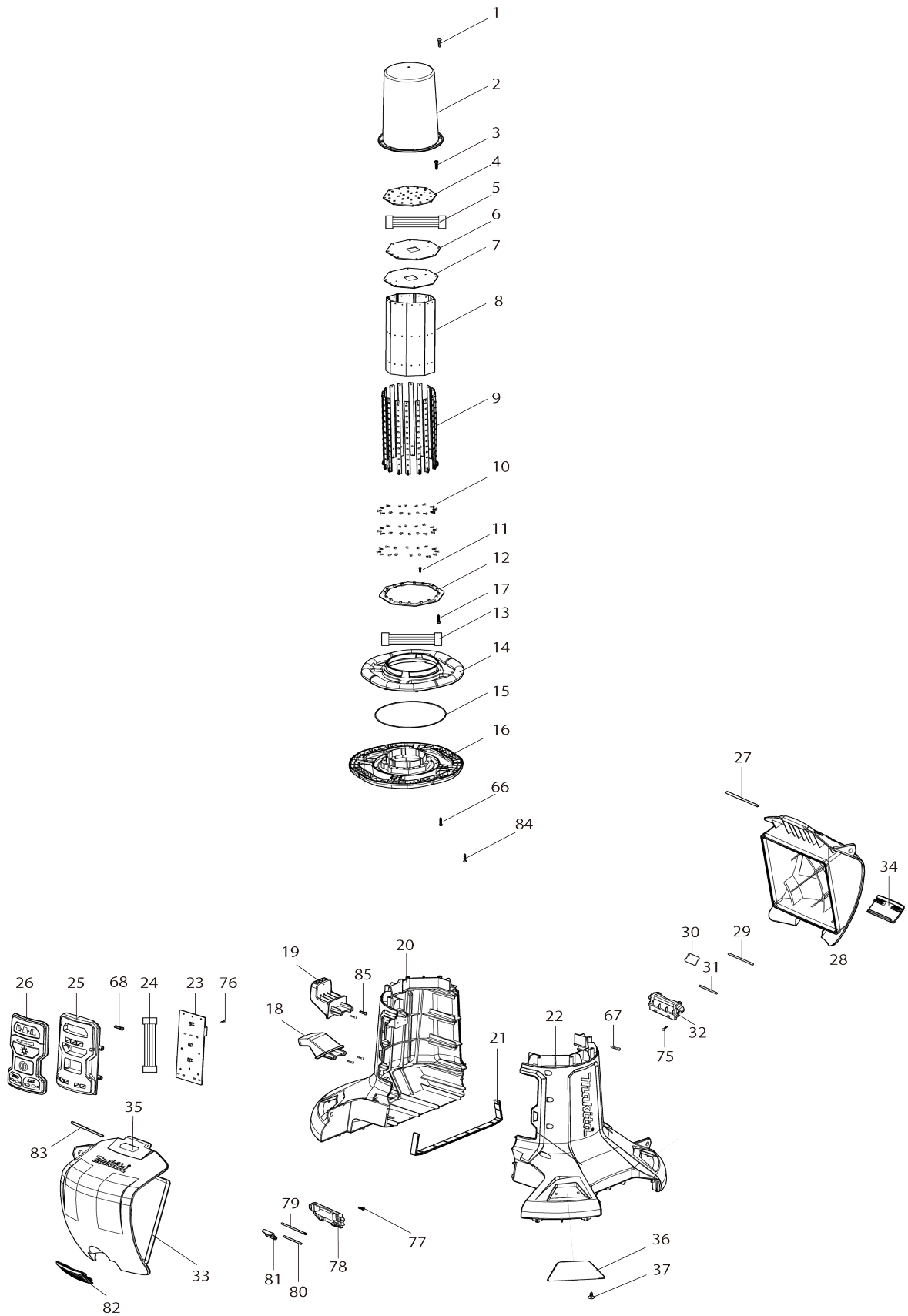
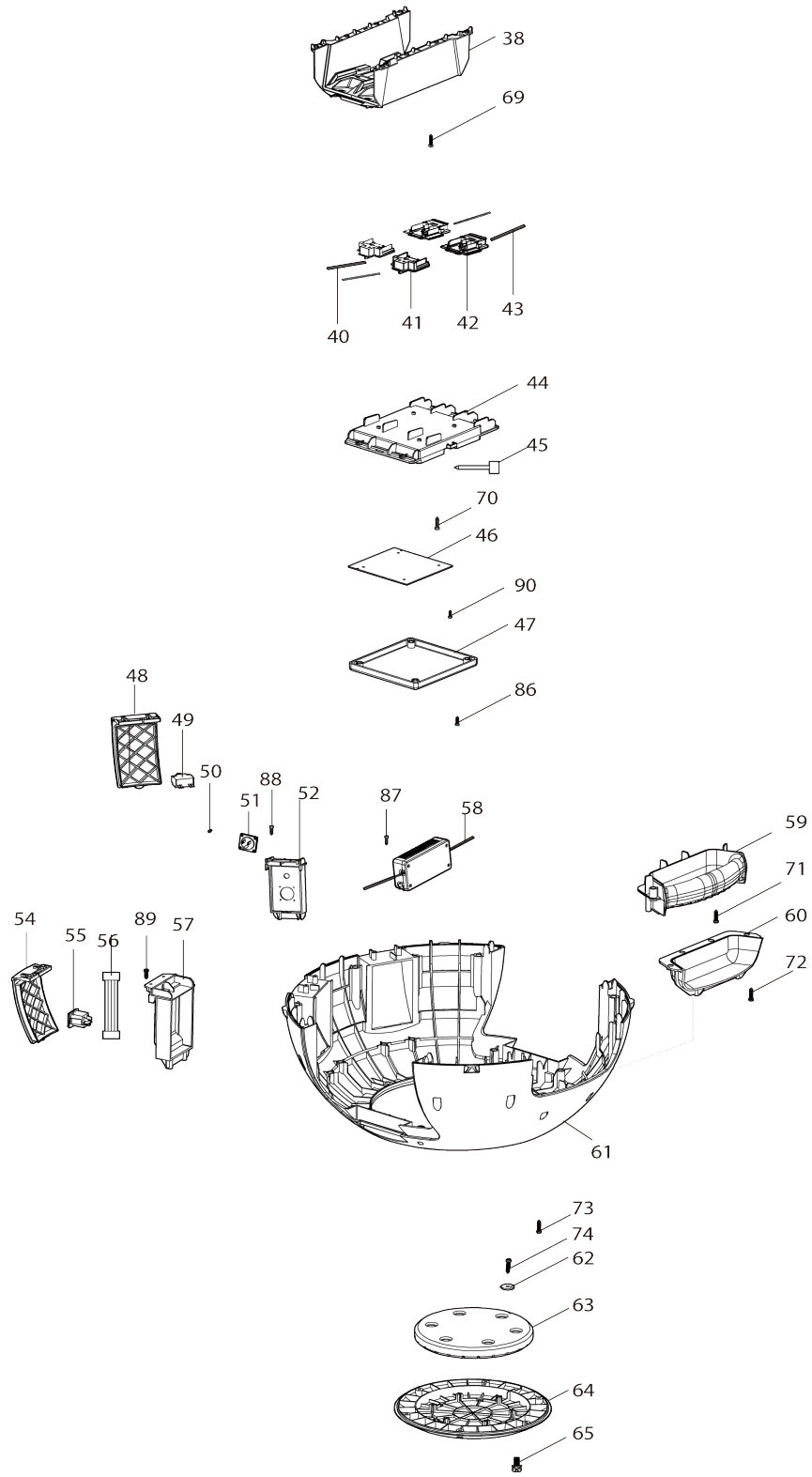


# Model No. ML010G CORDLESS AREA WORKLIGHT



# Model No.ML010G CORDLESS AREA WORKLIGHT



**Model No.ML010G CORDLESS AREA WORKLIGHT**

Obj. č.	Obj. č.	Popis	Možnost záměny	Množství	Nový/Stary	Poznámka 1	Poznámka 2
001	QY00000001	TAPPING SCREW 4X20		8			
002	QY00000002	LED COVER		1		kryt DML810	
003	QY00000003	TAPPING SCREW 3.5X14		8			
004	QY00000102	LED PLATE		1		led deska	
005	QY00000005	WIRE UNIT 6X300		1		jednotka DML810	
006	QY00000006	INSULATION PLATE		1		izola	
007	QY00000007	HEAT SINK PLATE COVER		1		tepeln	
008	QY00000008	HEAT SINK PLATE		1		t	
009	QY00000103	LED PLATE LONG		16		led deska dlouh	
010	QY00000009	TAPPING SCREW 3X6		48			
011	QY00000011	TAPPING SCREW 3X12		4			
012	QY00000104	LED PCB CONNECTOR		1		led konektor pcb	
013	QY00000105	CABLE		1		kabel	
014	QY00000014	CIRCLE HANDLE UPPER		1		horn	
015	QY00000015	O-RING		1		O-krou	
016	QY00000016	CIRCLE HANDLE LOWER		1		rukoje	
017	QY00000017	TAPPING SCREW 3.5X14		8			
018	QY00000106	CABLE HOOK UNDER		1		h	
019	QY00000107	CABLE HOOK UPPER		1		horn	
020	QY00000108	CASE L		1		obal	
021	QY00000109	SEALING		1		t	
022	QY00000110	CASE R		1		obal	
023	QY00000111	SWITCH PCB BOARD		1		vyp	
024	QY00000112	LEAD UNIT		1		ovl	
025	QY00000113	SWITCH BASE		1		pouzdro	
026	QY00000114	SWITCH COVER		1		kryt sp	
027	QY00000115	PIN		2			
028	QY00000116	BATTERY COVER A		1		kryt baterie	
029	QY00000030	PIN 2.5X73		2			
030	QY00000032	BATTERY COVER PLATE		2		kryt baterie DML810	
031	QY00000031	PIN 4X75		2			
032	QY00000117	BATTERY COVER BASE		1		kryt	
033	QY00000118	BATTERY COVER B		1		kryt	
033		INC. 35					
034	QY00000029	LATCH		2		z	
035	8030S0-0	XGT LOGO LABEL		1			
036	QY00000027	REFLECTOR		4		reflektor DML810	
037	QY00000026	TAPPING SCREW 3X8		8			
038	QY00000119	BATTERY BOX LOWER		1		pouzdro	
040	QY00000121	LEAD UNIT (LXT)		2		ovl	
041	QY00000122	LXT BATTERY TERMINAL		2		konektor baterie lxt	
042	QY00000123	XGT BATTERY TERMINAL		2		konektor baterie xgt	
043	QY00000124	LEAD UNIT (XGT)		2		ovl	
044	QY00000125	TERMINAL SUPPORT		1		termn	
045	QY00000126	CABLE TIES		12		stahovac	
046	QY00000127	MAIN PCB BOARD		1		hlavn	
047	QY00000128	PCB BOARD COVER		1		kryt desky	
048	QY00000129	AC INPUT SOCKET COVER		1		kryt	

049	QY00000056	HUSE SET		1		obal DML810	
050	QY00000036	TAPPING SCREW 3X12		2			
051	QY00000058	AC INPUT POWER CONNECTOR		1		konektor DML810	
052	QY00000130	AC INPUT SOCKET CASE		1		pouzdro	
054	QY00000135	AC OUTPUT SOCKET COVER		1		kryt	
055	QY00000067	AC OUTPUT SOCKET D		1		AC v	
056	QY00000142	LEAD UNIT		1		ovl	
057	QY00000148	AC OUTPUT SOCKET CASE		1		pouzdro	
058	QY00000151	POWER UNIT		1		veden	
059	QY00000152	SUB HADBLE		1		spodn	
060	QY00000153	HANDLE COVER		1		kryt rukojeti	
061	QY00000154	BASE		1		z	
062	QY00000061	WASHER 5		6		podlo	
063	QY00000155	WEIGHT		1		z	
064	QY00000156	UNDER COVER		1		spodn	
065	QY00000157	PAN HEAD SCREW M5X16		6			
066	QY00000001	TAPPING SCREW 4X20		8			
067	QY00000001	TAPPING SCREW 4X20		8			
068	QY00000001	TAPPING SCREW 4X20		3			
069	QY00000001	TAPPING SCREW 4X20		8			
070	QY00000001	TAPPING SCREW 4X20		4			
071	QY00000001	TAPPING SCREW 4X20		3			
072	QY00000001	TAPPING SCREW 4X20		4			
073	QY00000001	TAPPING SCREW 4X20		20			
074	QY00000001	TAPPING SCREW 4X20		6			
075	QY00000011	TAPPING SCREW 3X12		2			
076	QY00000011	TAPPING SCREW 3X12		6			
077	QY00000011	TAPPING SCREW 3X12		2			
078	QY00000117	BATTERY COVER BASE		1		kryt	
079	QY00000030	PIN 2.5X73		1			
080	QY00000031	PIN 4X75		1			
081	QY00000032	BATTERY COVER PLATE		1		kryt baterie DML810	
082	QY00000029	LATCH		1		z	
083	QY00000115	PIN		1			
084	QY00000017	TAPPING SCREW 3.5X14		4			
085	QY00000017	TAPPING SCREW 3.5X14		4			
086	QY00000017	TAPPING SCREW 3.5X14		4			
087	QY00000017	TAPPING SCREW 3.5X14		2			
088	QY00000017	TAPPING SCREW 3.5X14		2			
089	QY00000017	TAPPING SCREW 3.5X14		2			
090	QY00000011	TAPPING SCREW 3X12		4			
A01	QY00000093	POWER SUPPLY CORD EU PLUG		1			

Prosím uveďte objednáčíslo dílu v objednávce

Datum tisku 30. 10. 2024