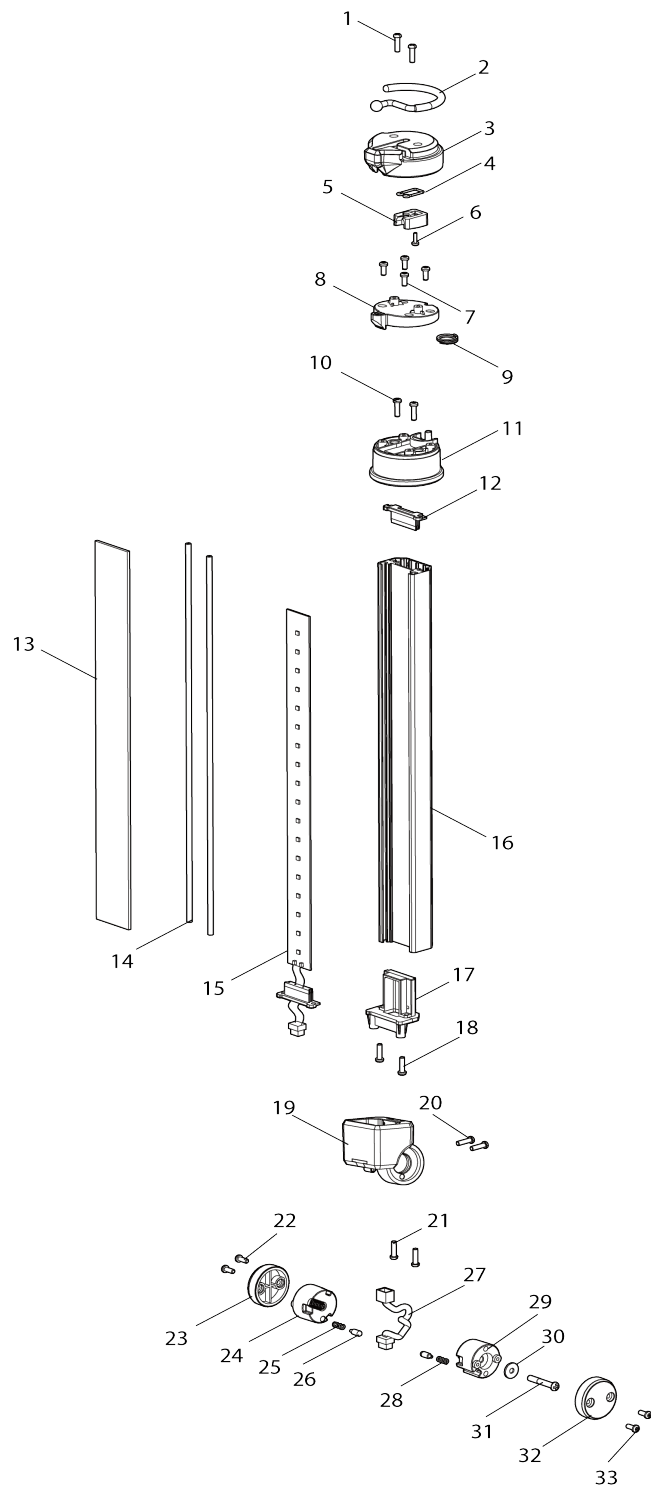
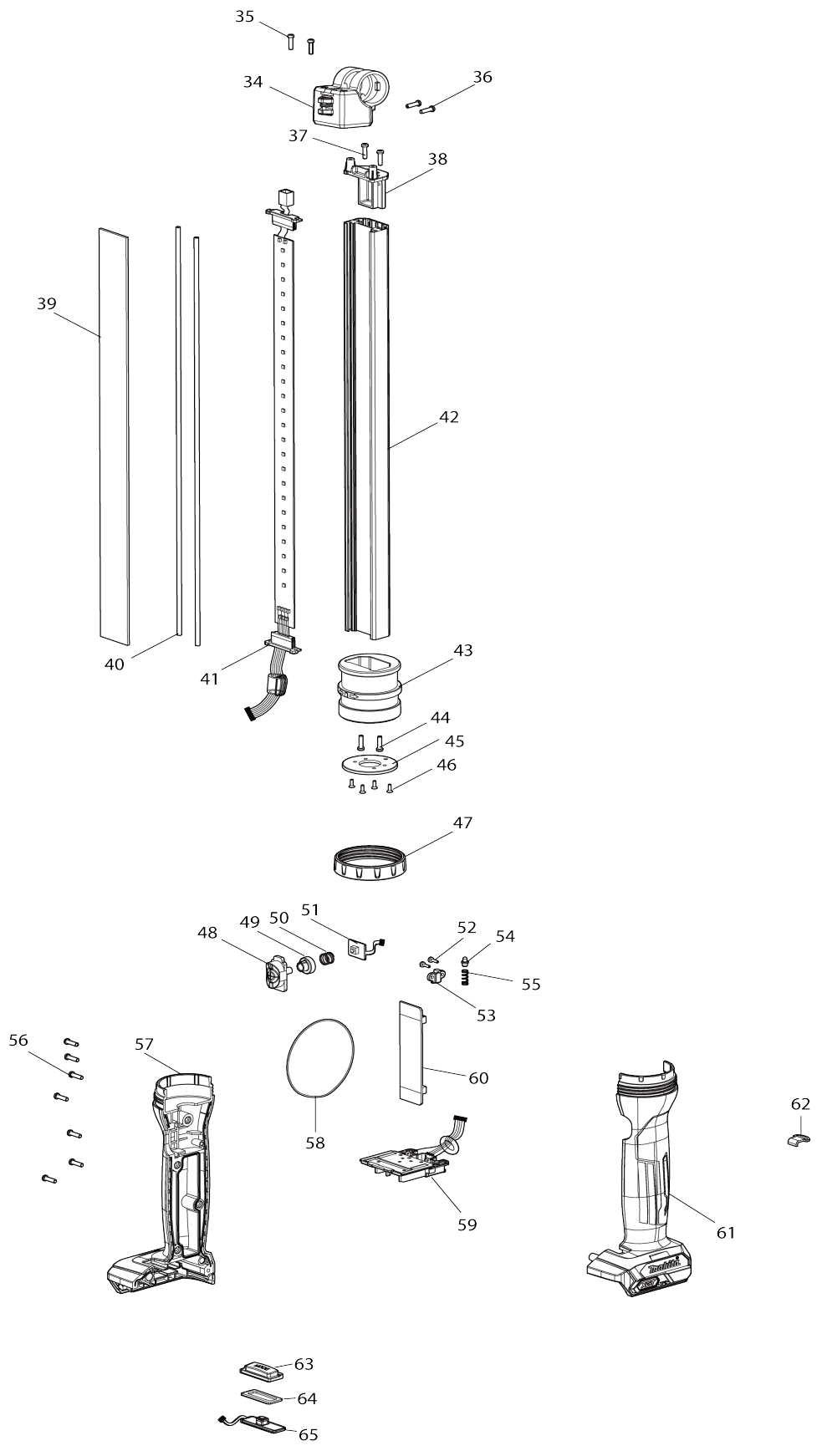


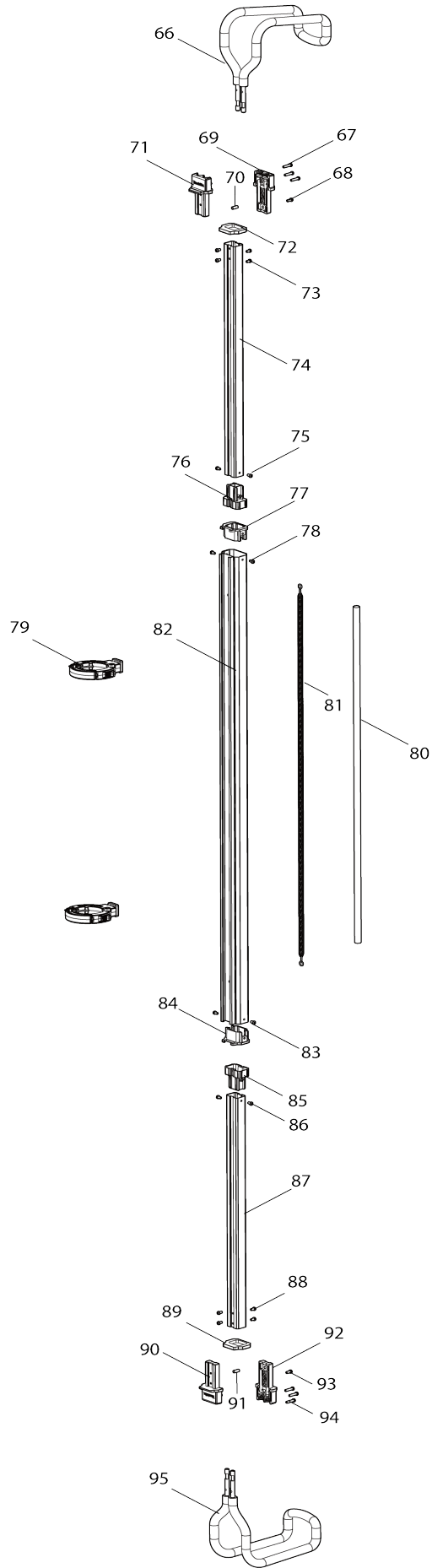
# Model No.ML012G CORDLESS BAR LIGHT



# Model No.ML012G CORDLESS BAR LIGHT



# Model No.ML012G CORDLESS BAR LIGHT



**Model No.ML012G CORDLESS BAR LIGHT**

Obj. č.	Obj. č.	Popis	Možnost záměny	Množství	Nový/Stary	Poznámka 1	Poznámka 2
001	GM00001012	SCREW 3X12 PB BLACK ZN		2			
002	GM00002543	TOP HOOK		1		h	
003	GM00002542	TOP SUPPORT B		1		vzp	
004	GM00002541	TOP HOOK SPRING		1		pru	
005	GM00002540	HOOK SPRING COVER		1		kryt	
006	GM00001322	SCREW 2.6X8 PB		1			
007	GM00001332	SCREW 3 X 8 PB		4			
008	GM00002539	HOOK SUPPORT		1		dr	
009	GM00002284	RING		1		krou	
010	GM00002546	SCREW 3.2X12 PM		2			
011	GM00002535	TOP SUPPORT A		1		vzp	
012	GM00002534	LENS CUSHION B		1		ulo	
013	GM00002538	LENS B		1			
014	GM00002537	LENS O RING B		2			
015	GM00002536	LED PCBA ASSY-B		1		elektronika	
016	GM00002533	ALUMINUM COVER B		1		hlin	
017	GM00002532	MIDDLE SUPPORT B1		1		vzp	
018	GM00002546	SCREW 3.2X12 PM		2			
019	GM00002531	MIDDLE SUPPORT B2		1		vzp	
020	GM00001012	SCREW 3X12 PB BLACK ZN		2			
021	GM00001012	SCREW 3X12 PB BLACK ZN		2			
022	GM00001332	SCREW 3 X 8 PB		2			
023	GM00002526	SPINDLE COVER		1		kryt	
024	GM00002527	SPINDLE L		1		v	
025	GM00002224	COMPRESSION SPRING		1		pru	
026	GM00002525	NEEDLE B		2		jehla b	
027	GM00002528	2P HOUSING CONNECTOR		1		konektor	
028	GM00002224	COMPRESSION SPRING		1		pru	
029	GM00002529	SPINDLE R		1		v	
030	GM00002530	FLAT WASHER		1		podlo	
031	GM00002547	SCREW 4X26 PM		1			
032	GM00002526	SPINDLE COVER		1		kryt	
033	GM00001332	SCREW 3 X 8 PB		2			
034	GM00002524	MIDDLE SUPPORT A2		1		vzp	
035	GM00001012	SCREW 3X12 PB BLACK ZN		2			
036	GM00001012	SCREW 3X12 PB BLACK ZN		2			
037	GM00002546	SCREW 3.2X12 PM		2			
038	GM00002523	MIDDLE SUPPORT A1		1		vzp	
039	GM00002522	LENS A		1			
040	GM00002521	LENS O RING A		2			
041	GM00002520	LED PCBA ASSY-A		1		elektronika	
042	GM00002519	ALUMINUM COVER A		1		hlin	
043	GM00002518	BOTTOM SUPPORT		1		vzp	
044	GM00002546	SCREW 3.2X12 PM		2			
045	GM00002517	NEEDLE SUPPORT		1		dr	
046	GM00002219	SCREW 2.6X7 KB		4			
047	GM00002511	LOCK RING		1		pojistn	
048	GM00002516	ON/OFF SWITCH		1		vyp	

049	GM00002515	ON/OFF SWITCH SUPPORT		1		dr	
050	GM00002514	SPRING		1		pru	
051	GM00002512	ON/OFF SWITCH PCBA		1		vyp	
052	GM00001322	SCREW 2.6X8 PB		2			
053	GM00002510	NEEDLE COVER		1		kryt jehly	
054	GM00002570	NEEDLE C		1		jehla c	
055	GM00002569	SPRING		1		pru	
056	GM00001012	SCREW 3X12 PB BLACK ZN		7			
057	GM00002503	HOUSING ASSY		1		obal	
058	GM00002502	O RING		1		krou	
059	GM00002501	BATTERY HOLDER ASSY		1		dr	
060	GM00002504	MAIN PCBA ASSY		1		elektronika	
061	GM00002503	HOUSING ASSY		1		obal	
062	GM00002231	STRAP HOOK		1		h	
063	GM00002508	MODE SWITCH COVER		1		kryt p	
064	GM00002507	MODE SWITCH HOLDER		1		dr	
065	GM00002505	MODE SWITCH PCBA ASSY		1		p	
066	GM00002553	HOLDER HOOK ASSY		1		dr	
067	GM00002565	SCREW 3 X 15 PM		3			
068	GM00001332	SCREW 3 X 8 PB		1			
069	GM00002556	SPRING CLIP A		1		pru	
070	GM00002554	PIN D		1			
071	GM00002555	SPRING CLIP B		1		pru	
072	GM00002557	HOLDER CUSHION		1		dr	
073	GM00002566	SCREW 3 X 6 PB		4			
074	GM00002558	ALUMINUM INNER COVER		1		hlin	
075	GM00002566	SCREW 3 X 6 PB		2			
076	GM00002559	ALUMINUM INNER COVER PLUG		1		hlin	
077	GM00002560	ALUMINUM OUTER COVER PLUG		1		hlin	
078	GM00002566	SCREW 3 X 6 PB		2			
079	GM00002562	CLAMP ASSY		2		spona	
080	GM00002564	SILICON TUBE		1		silikonov	
081	GM00002561	TENSION SPRING		1		pru	
082	GM00002563	ALUMINUM OUTER COVER		1		hlin	
083	GM00002566	SCREW 3 X 6 PB		2			
084	GM00002560	ALUMINUM OUTER COVER PLUG		1		hlin	
085	GM00002559	ALUMINUM INNER COVER PLUG		1		hlin	
086	GM00002566	SCREW 3 X 6 PB		2			
087	GM00002558	ALUMINUM INNER COVER		1		hlin	
088	GM00002566	SCREW 3 X 6 PB		4			
089	GM00002557	HOLDER CUSHION		1		dr	
090	GM00002555	SPRING CLIP B		1		pru	
091	GM00002554	PIN D		1			
092	GM00002556	SPRING CLIP A		1		pru	
093	GM00001332	SCREW 3 X 8 PB		1			
094	GM00002565	SCREW 3 X 15 PM		3			
095	GM00002553	HOLDER HOOK ASSY		1		dr	
A01	GM00002544	HAND STRAP		1			

Prosím uveďte objednáčíslo dílu v objednávce

Datum tisku 30. 10. 2024