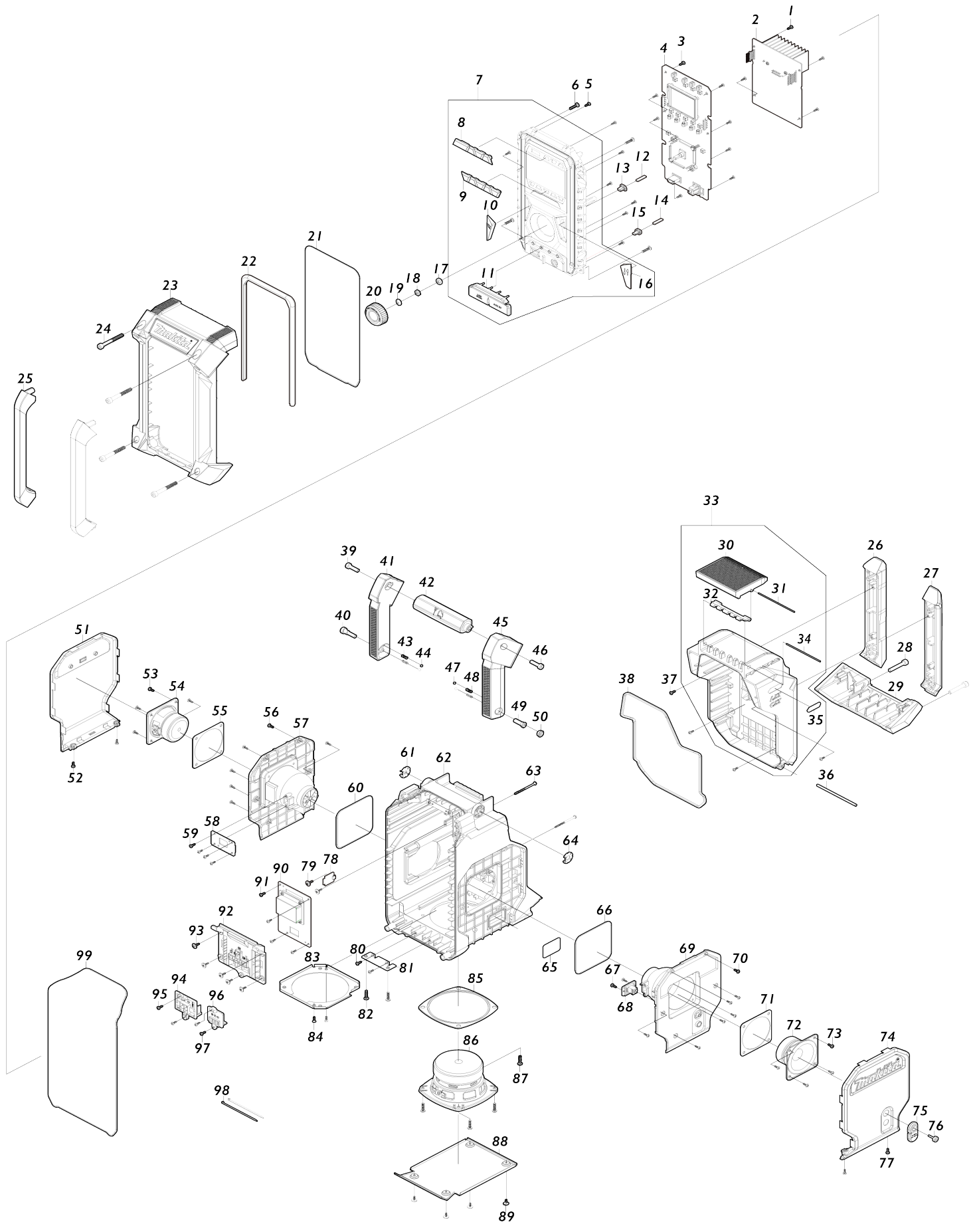


# Model No.MR007G JOB SITE RADIO



Model No.MR007G JOB SITE RADIO

Obj. č.	Obj. č.	Popis	Možnost záměny	Množství	Nový/ Starý	Poznámka 1	Poznámka 2
001	SE00000521	SCREW PTB 3X8(ZK) 29S1630800 1		4			
002	SE00001041	PCB A ASS'Y		1		ti	
003	SE00000521	SCREW PTB 3X8(ZK) 29S1630800 1		8			
004	SE00001042	PCB C ASS'Y		1		ti	
005	SE00000521	SCREW PTB 3X8(ZK) 29S1630800 1		8			
006	SE09064161	SCREW M4X16		4			
007	SE00001043	FRONT CABINET ASS'Y		1		p	
007		INC. 8-11,16					
008	SE00000968	POWER KEY		1			
009	SE00000969	PRESET KEY		1			
010	SE00001044	AUTO TUNE		1			
011	SE00001039	JACK RUBBER COVER		1			
012	SE00000972	PCB P ASS'Y		1			
013	SE00000750	LED RUBBER L		1		guma	
014	SE00000972	PCB P ASS'Y		1			
015	SE00000751	LED RUBBER R		1		guma	
016	SE00000973	EQ KEY		1			
017	SE00000754	EN/SW WASHER		1		podlo	
018	SE00000755	EN/SW NUT		1		podlo	
019	SE21B1110A	ROTARY KNOB RING		1		knofl	
020	SE00001045	ROTARY KNOB		1		rota	
021	SE00000975	FRONT CABINET PACKING		1			
022	SE00000976	FRONT LENS		1			
023	SE00000977	FRONT BUMPER		1			
024	SE00000160	SCREW PTHE6X47(CR)		4			
025	SE00000980	FRONT BAR		2			
026	SE00000981	BATTERY BUMPER L		1			
027	SE00000982	BATTERY BUMPER R		1			
028	SE00000709	SCREW PTHE 6X33(CR)		2			
029	SE00000983	REAR BUMPER		1			
030	SE00000984	LOCKER COVER		1			
031	SE00000985	PIN D2X89		1			
032	SE00000536	LOCKER HINGE 3300B30000010		1		uchycen	
033	SE00000987	BATTERY COVER ASS'Y		1			
033		INC. 30-32,34,35					
034	SE00000539	PIN D2X77 2100B300200		1			
035	SE00000872	XGT PLATE		1			
036	SE00000990	BATTERY COVER FIXER PIN		1			
037	SE00000521	SCREW PTB 3X8(ZK) 29S1630800 1		4			
038	SE00000991	BATTERY COVER PACKING		1			
039	SE00000176	SCREW PTHE6X20(CR)		1			
040	SE00000715	SCREW PTHE 6X17(CR)		1			
041	SE00000993	HANDLE L		1			
042	SE00000994	HANDLE BAR		1			
043	SE00000184	SPRING		2		pru	

044	SE09994007	kulička		2		kuli	
045	SE00001048	HANDLE R WITH ANT(A) DAB		1		rukoje	
046	SE00000176	SCREW PTHE6X20(CR)		1			
047	SE09994007	kulička		2		kuli	
048	SE00000184	SPRING		2		pru	
049	SE00000716	SCREW PTHE 7X16(CR)		1			
050	SE00000717	SCREW PTHE 10.8X4.5(CR)		1			
051	SE00000997	SPEAKER GRILL L ASS'Y		1			
052	SE00000521	SCREW PTB 3X8(ZK) 29S1630800 1		2			
053	SE00000521	SCREW PTB 3X8(ZK) 29S1630800 1		4			
054	SE00000728	SPEAKER ASS'Y 2.5"		1		reproduktor ASS'Y(2.5Inch)	
055	SE00000729	SPEAKER 2.5" PACKING		1		reproduktor 2.5Inch	
056	SE00000521	SCREW PTB 3X8(ZK) 29S1630800 1		6			
057	SE00000998	SPEAKER HOLDER L		1			
058	SE00001049	PCB J ASS'Y		1		ti	
059	SE00000521	SCREW PTB 3X8(ZK) 29S1630800 1		4			
060	SE00001000	SPEAKER HOLDER PACKING		1			
061	SE00000718	HANDLE SUS-PLATE L		1			
062	SE00001050	REAR CABINET ASS'Y		1		zadn	
063	SE00000445	SCREW PTB 3X45(NI)		2			
064	SE00000722	HANDLE SUS-PLATE R		1			
065	SE00001004	DC JACK PACKING		1			
066	SE00001000	SPEAKER HOLDER PACKING		1			
067	SE00000521	SCREW PTB 3X8(ZK) 29S1630800 1		2			
068	SE00001052	PCB F ASS'Y		1		ti	
069	SE00001006	SPEAKER HOLDER R		1			
070	SE00000521	SCREW PTB 3X8(ZK) 29S1630800 1		7			
071	SE00000729	SPEAKER 2.5" PACKING		1		reproduktor 2.5Inch	
072	SE00000728	SPEAKER ASS'Y 2.5"		1		reproduktor ASS'Y(2.5Inch)	
073	SE00000521	SCREW PTB 3X8(ZK) 29S1630800 1		4			
074	SE00001007	SPEAKER GRILL R ASS'Y		1			
075	SE00000726	DC JACK COVER		1		kryt jacku	
076	SE00000404	SCREW PTHE 3X14(CR)		1			
077	SE00000521	SCREW PTB 3X8(ZK) 29S1630800 1		2			
078	SE00000785	PCB G ASS'Y		1		mikro USB	
079	SE00000193	SCREW 3X10		5			
080	SE00000521	SCREW PTB 3X8(ZK) 29S1630800 1		2			
081	SE00000735	REAR PLATE		1		zadn	
082	SE09064161	SCREW M4X16		2			
083	SE00000734	SPEAKER PLATE		1		deska reproduktoru	
084	SE00000736	SCREW JMF 3X10 ZK		2			
085	SE00000738	SPEAKER 4" PACKING		1		reproduktor 4Inch	
086	SE00001010	SPEAKER ASS'Y 4"		1			
087	SE09064161	SCREW M4X16		4			

088	SE00001011	SPEAKER GRILL B		1		
089	SE00000741	SCREW PTT 3X8(ZK)		4		
090	SE00001053	PCB D+M ASS'Y		1	ti	
091	SE00000521	SCREW PTB 3X8(ZK) 29S1630800 1		4		
092	SE00001054	XGT TERMINAL ASS'Y		1	patice XGT	
093	SE00000193	SCREW 3X10		5		
094	SE00000948	LXT TERMINAL(18V) ASS'Y		1		
095	SE00000521	SCREW PTB 3X8(ZK) 29S1630800 1		2		
096	SE00001055	CXT TERMINAL ASS'Y		1	patice CXT	
097	SE00000521	SCREW PTB 3X8(ZK) 29S1630800 1		2		
098	SE00000195	W/TIES 100MM		2		
099	SE00001015	REAR CABINET PACKING		1		
A01	SE00000679	AC ADAPTER (CE)		1		

Prosím uveďte objednáč í číslo dílu v objednávce

Datum tisku 01. 11. 2024