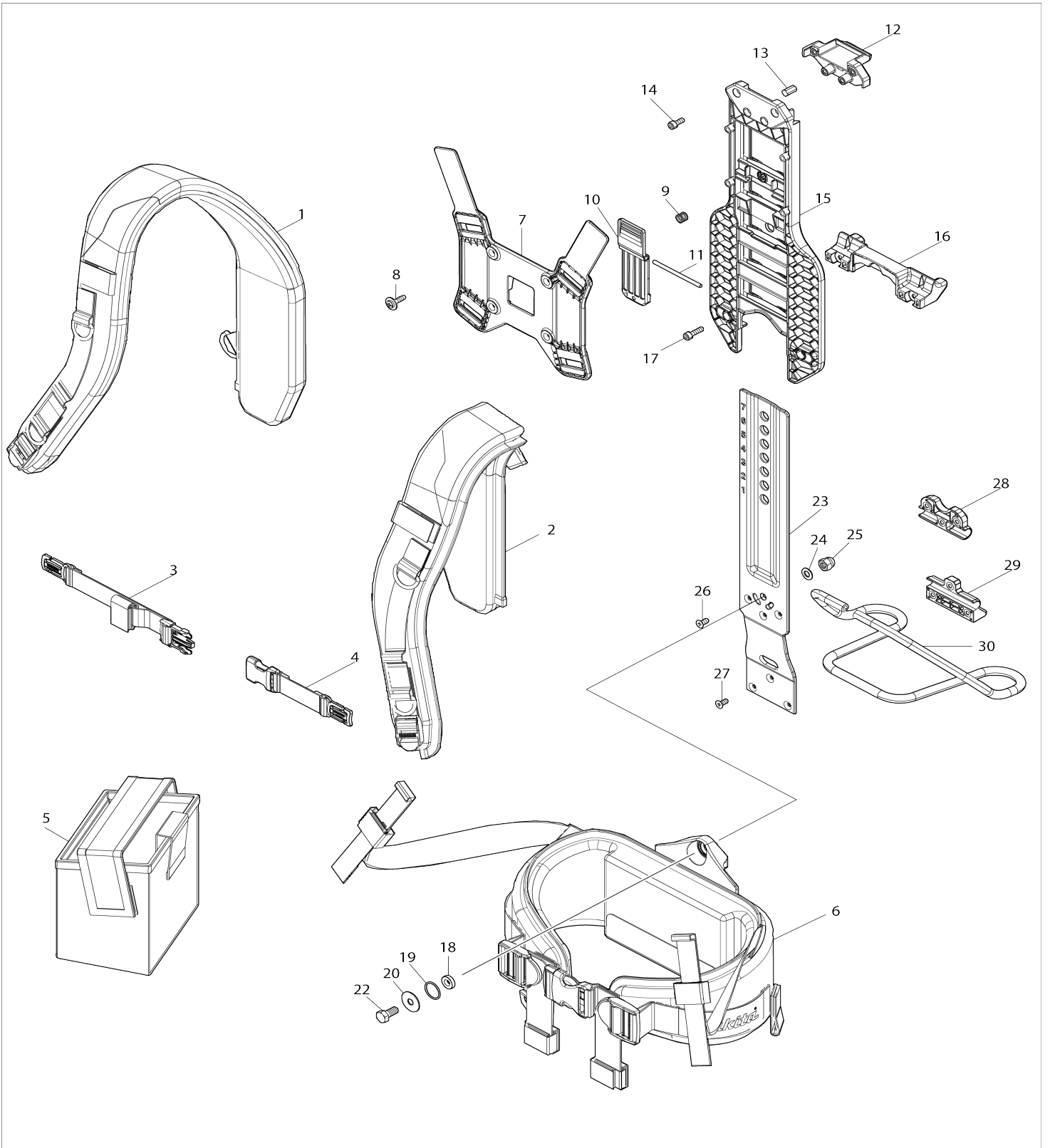
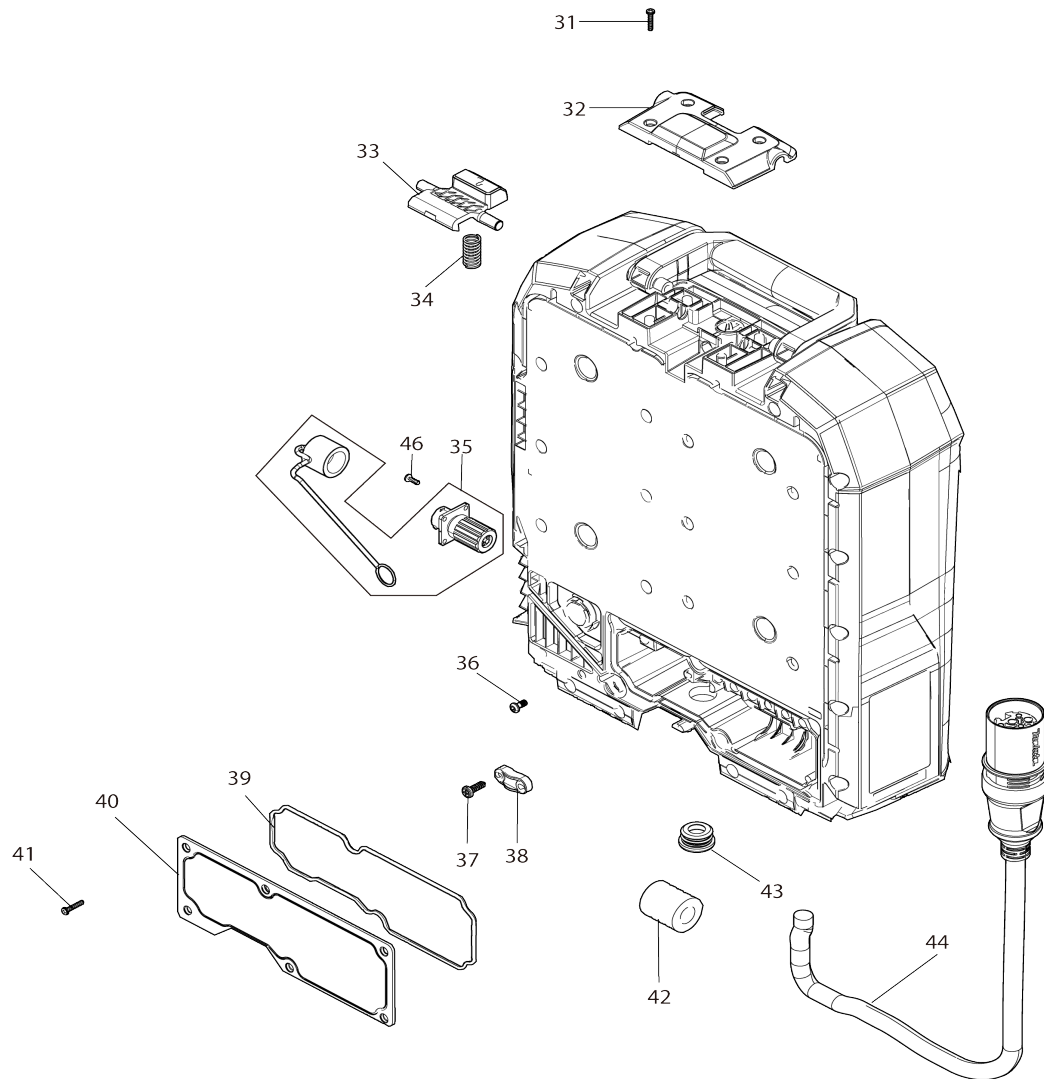


# Model No.PDC1500 PORTABLE POWER PACK



# Model No.PDC1500 PORTABLE POWER PACK



**Model No.PDC1500 PORTABLE POWER PACK**

Obj. č.	Obj. č.	Popis	Možn ost zá měny	Množ ství	Nový/ Starý	Poznámka 1	Poznámka 2
001	162C61-7	BAND R		1		p	
002	162C62-5	BAND L		1		p	
003	162C84-5	BELT 25R		1			
004	162C85-3	BELT 25L		1			
005	162C64-1	POCKET		1		kapsa	
006	162C63-3	WAIST BELT		1		opasek	
C10	413S92-8	ANGLE PLATE		1			
007	413S91-0	BACK PLATE		1		deska	
008	265C05-7	TAPPING SCREW FRANGE 5X20		4			
009	232447-2	COMPRESSION SPRING 8		1		pru	
010	413S95-2	LOCK LEVER		1		zamykac	
011	256A44-6	ROD 4		1		ty	
012	312E43-3	TOP HOLDER		1		horn	
013	263045-1	RUBBER PIN 8		2	*		
014	922216-6	imbus M5x14		4		imbus M5x14	
015	141R95-3	HARNESS PLATE COMPLETE		1	*		
015-1	137125-8	HARNESS PLATE ASSEMBLY	X	1	*	popruhov	
C10	263045-1	RUBBER PIN 8		2	*		
015-2	137153-3	HARNESS PLATE ASSEMBLY	S	1			
C10	263045-1	RUBBER PIN 8		2			
016	312E44-1	BOTTOM HOLDER		1		spodn	
017	922231-0	HEX. SOCKET HEAD BOLT M5X20		2			
018	257A14-8	RING 8		1		krou	
019	213310-8	o-kroužek 20		1		o-krou	
020	253431-4	FLAT WASHER 8		1			
022	921427-0	HEX.BOLT M8X18		1			
023	347B57-5	STAND PLATE		1		deska	
024	253165-9	podložka 8 = old 923505		1		podlo	
025	252278-3	HEX. CAP NUT M8		1		matka	
026	912212-2	šroub ZH M5x12		3			
027	912212-2	šroub ZH M5x12		3			
028	413S93-6	STAND HOLDER U		1		dr	
029	413S94-4	STAND HOLDER L		1		dr	
030	327C17-9	STAND		1	*	stojan	
030-1	327D98-9	STAND	S	1	*		
030-2	327C17-9	STAND	O	1		stojan	
031	NC00000001	TAPPING SCREW 3X15		4			
032	NC00000002	CASE LEVER COVER		1		kryt PDC1200	
033	NC00000023	LOCK BUTTON		1		tla	
034	NC00000004	COMPRESSION SPRING		1		pru	
035	NC00000025	CHARGE CONNECTOR		1		konektor nab	
036	NC00000007	SCREW M4X8		7			
037	NC00000011	TAPPING SCREW 4X14		2			
038	NC00000006	CORD CLAMP		1		spona PDC1200	
039	NC00000022	O-RING-AS(SEAL B)		1		o-krou	
040	NC00000024	CASE AS COVER		1		kryt	
041	NC00000001	TAPPING SCREW 3X15		6			
042	688233-3	LINE FILTER		1		filtr	

043	NC00000010	GROMMET		1		vlo	
044	699229-9	POWER SUPPLY CORD UNIT		1		nap	
045	1913P9-4	HARNESS ASSEMBLY SET		1	*		
045		INC. 1-30			*		
045-1	122E92-0	HARNESS ASSEMBLY	<	1			
045-1		INC. 1-30					
046	NC00000015	TAPPING SCREW T10 3X8.5		4			
A01	***DC4001	CHARGER		1			
A01		COMPO-PARTS					
A02	667234-4	POWER SUPPLY CORD A		1			

Prosím uveďte objednáací číslo dílu v objednávce

Datum tisku 04. 11. 2024