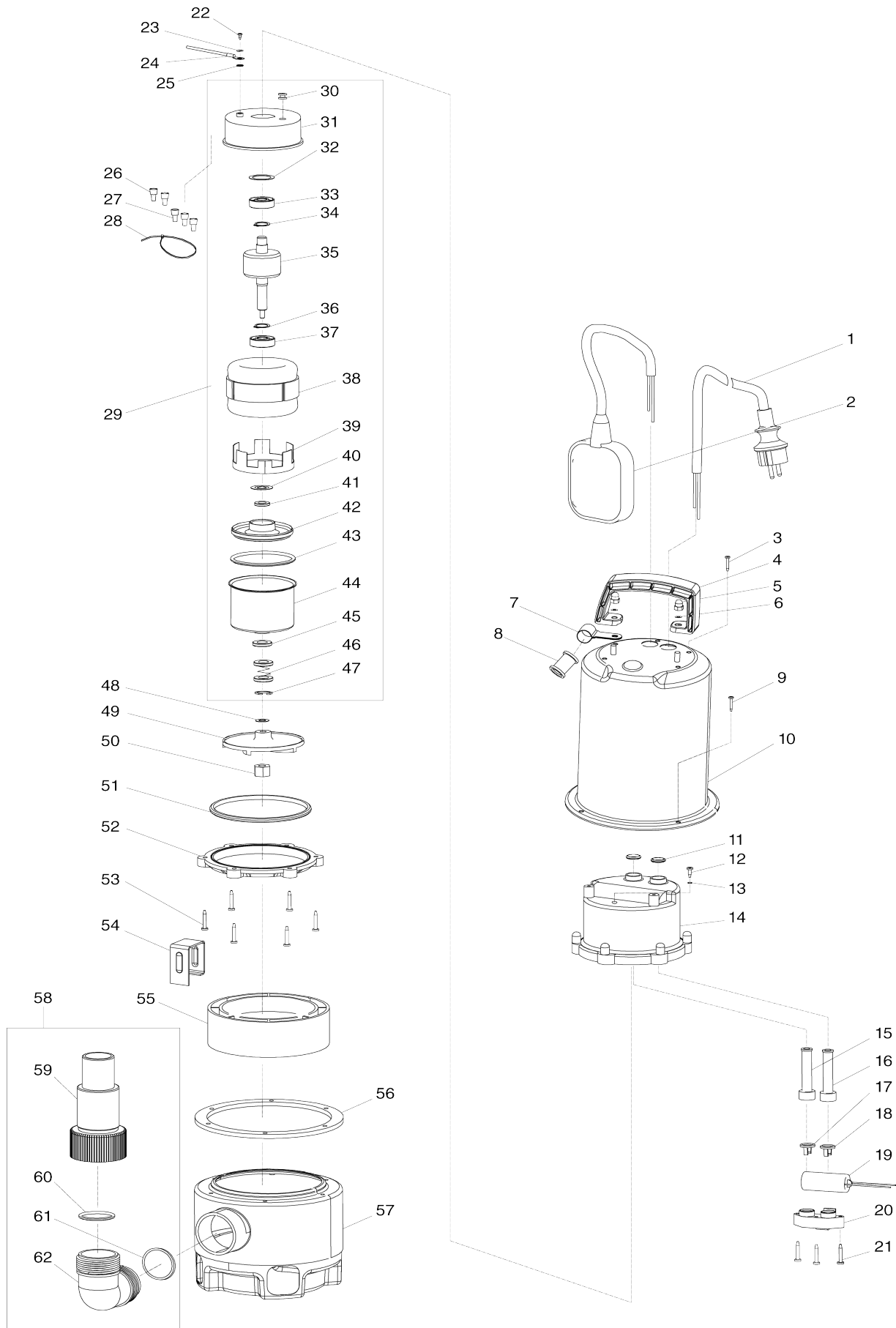


Model No.PF1110 SUBMERSIBLE PUMP



Model No.PF1110 SUBMERSIBLE PUMP

| Obj. č. | Obj. č. | Popis | Možnost za měny | Množství | Nový/Starý | Poznámka 1 | Poznámka 2 |
|---------|------------|-------------------------------|-----------------|----------|------------|--------------------------|------------|
| 001 | 609025435 | kabel | | 1 | * | kabel=newJH00000123 | |
| 001-1 | JH00000123 | CORD H07RN-F 1.0-3-10 EU | < | 1 | * | kabel = old 609025435 | |
| 001-2 | JH00000196 | CORD H07RN-F 1.0-3-10 EU | O | 1 | | | |
| 002 | 609026209 | FLOAT SWITCH BLUE | | 1 | * | plov | |
| 002-1 | JH00000126 | FLOAT SWITCH BLUE | < | 1 | * | plov | |
| 002-2 | JH00000198 | FLOAT SWITCH BLUE | O | 1 | | | |
| 003 | 609026213 | TAPPING SCREW 4.2X13 INOX | | 5 | * | | |
| 003-1 | JH00000077 | Y HEAD TAPPING SCREW ST4.5X13 | < | 5 | | | |
| 004 | 609024798 | rukojet PF1110 | | 1 | | rukoje | |
| 005 | 609024637 | HEX. CAP NUT M5 INOX | | 2 | | matka PF1100 PF1110 | |
| 006 | 609024638 | FLAT WASHER 5 INOX | | 2 | | | |
| 007 | 609024650 | CORD CLAMP INOX | | 1 | | dr | |
| 008 | 609026214 | CORD GUARD | | 1 | | kryt kabelu=old609024653 | |
| 009 | 609024639 | + PAN HEAD SCREW M4X10 INOX | | 6 | | | |
| 010 | JH00000063 | UPPER HOUSING INOX | | 1 | | kryt | |
| C10 | 609024674 | BLIND PLUG | | 1 | | | |
| 011 | 609024641 | O-RING 15 | | 2 | * | | |
| 011-1 | JH00000117 | O-RING 15 | < | 2 | | o krou | |
| 012 | JH00000002 | TAPPING SCREW | | 1 | | | |
| 013 | JH00000003 | O-RING | | 1 | * | | |
| 013-1 | JH00000125 | O-RING | O | 1 | | | |
| 014 | 609024642 | WATER PROOF INNER HOUSING | | 1 | | obal | |
| 015 | 609024588 | CORD GUARD 8.5 | | 1 | * | pr | |
| 015-1 | JH00000110 | CORD GUARD 8.5 | < | 1 | | obal kabelu=old609024588 | |
| 016 | 609024588 | CORD GUARD 8.5 | | 1 | * | pr | |
| 016-1 | JH00000110 | CORD GUARD 8.5 | < | 1 | | obal kabelu=old609024588 | |
| 017 | 609024590 | CORD CLAMP 8.5 | | 1 | | dr | |
| 018 | 609024590 | CORD CLAMP 8.5 | | 1 | | dr | |
| 019 | JH00000045 | CAPACITOR 16 MICRO F | | 1 | * | kondenz | |
| 019-1 | JH00000182 | CAPACITOR 16 MICRO F | O | 1 | | kondenz | |
| 020 | 609024592 | CAPACITOR HOLDER | | 1 | | dr | |
| 021 | 609024593 | TAPPING SCREW 4X32 | | 3 | | | |
| 022 | 609024601 | SCREW M4X8 | | 1 | | | |
| 023 | 609024596 | SPRING WASHER 4 | | 1 | | | |
| 024 | JH00000004 | GROUND WIRE ASSY | | 1 | | | |
| 025 | 609024600 | TOOTHED LOCK SPRING WASHER 4 | | 1 | * | | |
| 025-1 | JH00000082 | TOOTHED LOCK SPRING WASHER 4 | < | 1 | | t | |
| 026 | 609024629 | CLOSED END SPLICE 5.5-SD | | 2 | | svorka | |
| 027 | 609024630 | CLOSED END SPLICE 2-SD | | 3 | | svorka STOP | |
| 028 | 609024632 | CABLE TIE | | 1 | | | |
| 029 | JH00000071 | MOTOR ASSY 230V 50HZ | | 1 | | motor = alt 609024806 | |

| | | | | | | |
|-------|------------|-------------------------------|---|---|---|-------------------------|
| 029 | | INC. 30-47 | | | * | |
| 029 | | INC. 30-33,35,37-47 | | | | |
| 030 | 609024595 | GROMMET 10 | | 1 | | |
| 031 | 609024594 | MOTOR HOUSING UPPER SIDE | | 1 | | |
| 032 | 609024602 | WAVE WASHER 25 | | 1 | | |
| 033 | 609024603 | BALL BEARING 6201Z | | 1 | | |
| 034 | 961052-5 | segrovka vnější S-12 | | 1 | * | segrovka |
| 035 | JH00000053 | ROTOR | | 1 | | |
| 036 | 961052-5 | segrovka vnější S-12 | | 1 | * | segrovka |
| 037 | 609024603 | BALL BEARING 6201Z | | 1 | | |
| 038 | JH00000054 | STATOR ASSY 230V 50HZ | | 1 | | |
| 039 | 609024667 | LINING RING | | 1 | | |
| 040 | 609024607 | SHIM | | 1 | | |
| 041 | 609024608 | SKELETON SEAL RING | | 1 | * | |
| 041-1 | JH00000111 | SKELETON SEAL RING | < | 1 | | t |
| 042 | 609024609 | BEARING BOX | | 1 | | |
| 043 | 609024610 | O-RING | | 1 | * | |
| 043-1 | JH00000112 | O-RING | < | 1 | | |
| 044 | JH00000055 | MOTOR HOUSING LOWER SIDE | | 1 | | |
| 045 | 609024608 | SKELETON SEAL RING | | 1 | * | |
| 045-1 | JH00000111 | SKELETON SEAL RING | < | 1 | | t |
| 046 | 609024633 | těsnění | | 1 | * | t |
| 046-1 | JH00000127 | MECHANICAL SEAL | < | 1 | | t |
| 047 | 609024634 | RETAINING RING S-12 INOX | | 1 | | |
| 048 | 609024613 | SPACER WASHER 12 | | 1 | | t |
| 049 | 609024686 | náhon | | 1 | | n |
| 050 | 609024615 | NYLON INSERT HEX LOCK NUT M 8 | | 1 | | matka |
| 051 | 609024612 | O-RING | | 1 | * | o krou |
| 051-1 | JH00000113 | O-RING | < | 1 | | o-krou |
| 052 | JH00000058 | O-RING RETAINER | | 1 | | krou |
| 053 | 609024646 | TAPPING SCREW 4X30 INOX | | 6 | | |
| 054 | 609024654 | GROUND PLATE | | 1 | | kontakt |
| 055 | 609024655 | MOTOR MOUNT | | 1 | | distan |
| 056 | 609024671 | GASKET FOR HOUSING | | 1 | * | tesn |
| 056-1 | JH00000120 | GASKET FOR HOUSING | < | 1 | | t |
| 057 | 609024690 | LOWER HOUSING INOX | | 1 | | nas |
| 058 | JH00000005 | OUTLET CONNECTOR KIT | | 1 | * | |
| 058 | | INC. 59-62 | | | * | |
| 058-1 | JH00000006 | OUTLET CONNECTOR KIT | X | 1 | | |
| 058-1 | | INC. 59-62 | | | | |
| 059 | 609024627 | spojka | | 1 | * | spojka |
| 059-1 | 609024693 | OUTLET CONNECTOR | X | 1 | | spojka |
| 060 | 609024625 | o kroužek 37,5x3 PF0300 | | 1 | * | o krou |
| 060-1 | 609024692 | O-RING | X | 1 | * | |
| 060-2 | JH00000121 | O-RING | < | 1 | | krou |
| 061 | 609024625 | o kroužek 37,5x3 PF0300 | | 1 | * | o krou |
| 061-1 | 609024692 | O-RING | X | 1 | * | |
| 061-2 | JH00000121 | O-RING | < | 1 | | krou |
| 062 | 609024626 | plastové koleno | | 1 | * | plastov |
| 062-1 | 609024691 | ELBOW | X | 1 | | koleno=old60902462 6 |

Prosím uveďte objednáací číslo dílu v objednávce

Datum tisku 04. 11. 2024