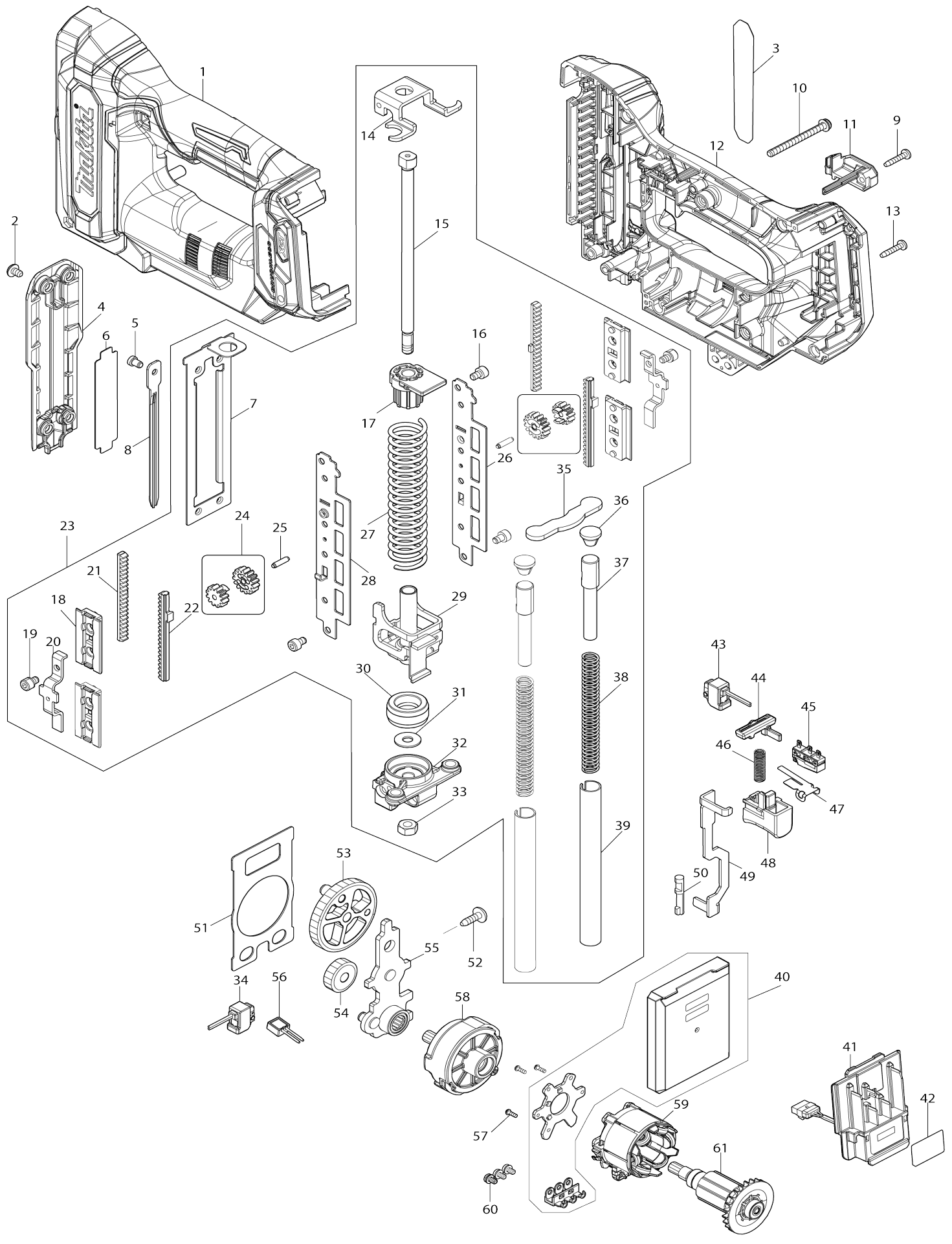
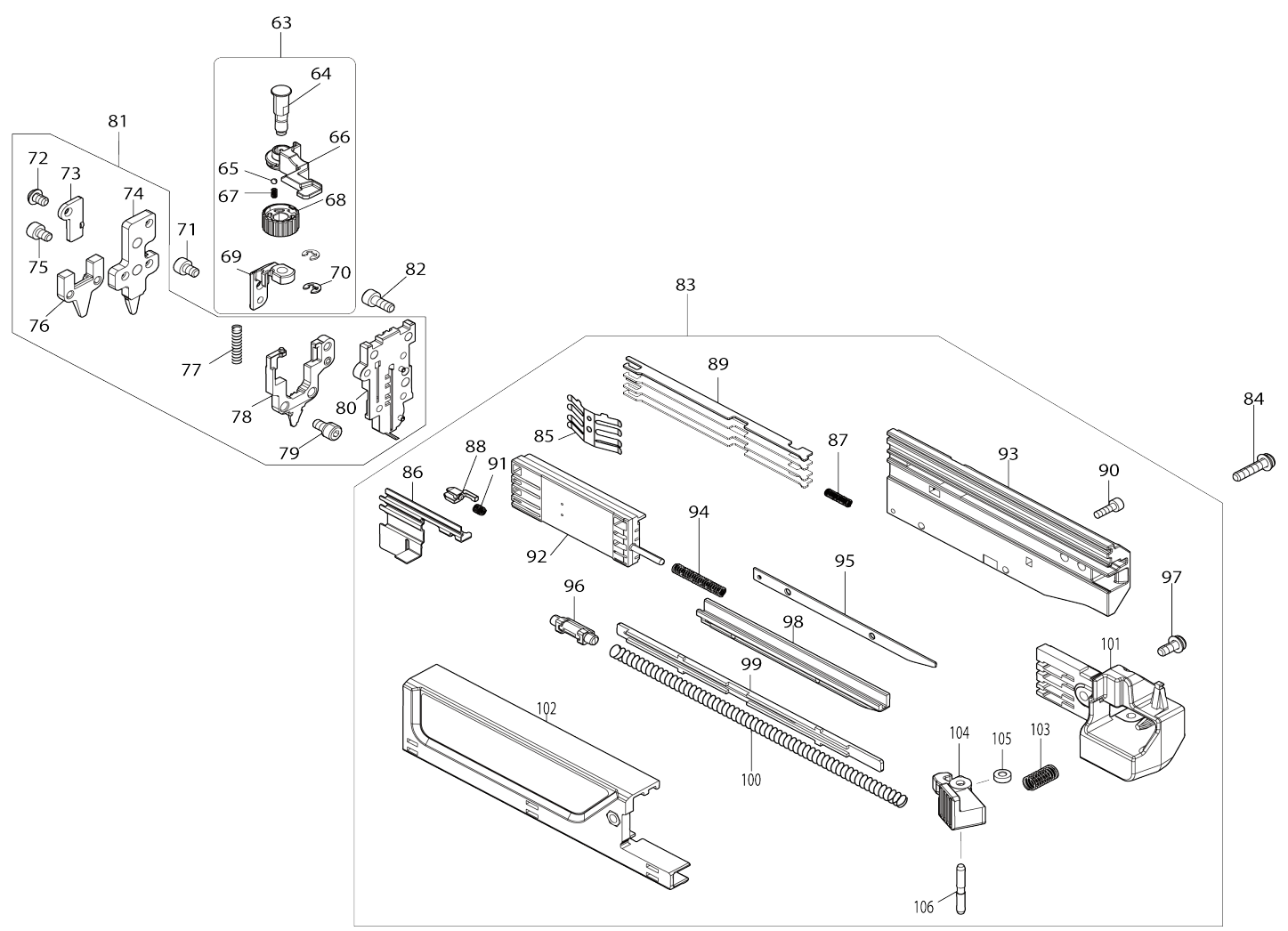


# Model No.PT001G CORDLESS PIN NAILER



# Model No.PT001G CORDLESS PIN NAILER



**Model No.PT001G CORDLESS PIN NAILER**

Obj. č.	Obj. č.	Popis	Možn ost zá měny	Množ ství	Nový/ Starý	Poznámka 1	Poznámka 2
001	183V33-3	HOUSING SET		1	*	obal stroje	
C10	263005-3	vymezovací čep 6		2	*		
C20	252126-6	HEX. LOCK NUT M4-7		2	*	matka	
C30	931102-0	matka M4		1	*	matka M4	
C40	8007R2-2	XGT LOGO LABEL		1	*		
001		INC. 12			*		
001-1	183X27-0	HOUSING SET	O	1		obal stroje =old 183V 33-3	
C10	263005-3	vymezovací čep 6		2			
C20	252126-6	HEX. LOCK NUT M4-7		2		matka	
C30	931102-0	matka M4		1		matka M4	
C40	8007R2-2	XGT LOGO LABEL		1			
001-1		INC. 12					
002	915101-0	BINDING HEAD SCREW M4X6		4			
003	8116E5-4	PT001G NAME PLATE		1			
004	413D63-5	FRONT COVER		1		p	
005	256882-0	FLAT FILLISTER HD. PIN 4		1			
006	347528-0	UPPER PLATE		1		deska	
007	347933-1	RAIL		1		veden	
008	347935-7	DRIVER		1		vedeni	
009	266130-9	šroub PT 3X		1			
010	911173-3	šroub M4x45		1			
011	413D62-7	HOUSING R COVER		1		kryt	
012	183V33-3	HOUSING SET		1	*	obal stroje	
C10	263005-3	vymezovací čep 6		2	*		
C20	252126-6	HEX. LOCK NUT M4-7		2	*	matka	
C30	931102-0	matka M4		1	*	matka M4	
C40	8007R2-2	XGT LOGO LABEL		1	*		
012		INC. 1			*		
012-1	183X27-0	HOUSING SET	O	1		obal stroje =old 183V 33-3	
C10	263005-3	vymezovací čep 6		2			
C20	252126-6	HEX. LOCK NUT M4-7		2		matka	
C30	931102-0	matka M4		1		matka M4	
C40	8007R2-2	XGT LOGO LABEL		1			
012-1		INC. 1					
013	266130-9	šroub PT 3X		9			
014	347936-5	BOTTOM PLATE		1		spodn	
015	327939-5	GUIDE BOLT		1			
016	266199-3	HEX.SOCKET HEAD BOLT M4X6		4			
017	313406-6	BOTTOM HOLDER		1		spodn	
018	413330-4	COUNTER WEIGHT HOLDER		4		dr	
019	251566-5	H.S.H BOLT M4X6 WITH W		2			
020	347146-4	PINION GUIDE		2		veden	
021	313421-0	COUNTER WEIGHT A		2		z	
022	310925-3	COUNTER WEIGHT B		2		z	
023	136695-4	COUNTER WEIGHT ASS'Y		1		protiz	
023		INC. 7,14-22,24-33,35-39					
024	136104-3	SPUR GEAR ASSEMBLY		2		vzp	

025	326902-5	PINION SHAFT		2		
026	347938-1	GUIDE RAIL L		1		vod
027	232741-2	COMPRESSION SPRING 17		1		pru
028	347939-9	GUIDE RAIL R		1		vod
029	347937-3	HAMMER		1		
030	422457-9	CUSHION		1		doraz
031	253804-1	podložka 6		1		podlo
032	312C49-9	HOLDER		1		dr
033	252273-3	HEX. NUT M6		1		matka=old931302-2
034	140W22-7	SWITCH COMPLETE		1		vyp
035	347729-0	COUNTER STOPPER		1		zar
036	422592-3	COUNTER CUSHION		2		doraz
037	327942-6	WEIGHT		2		zava
038	232630-1	COMPRESSION SPRING 7		2		
039	327943-4	GUIDE PIPE		2		trubka
040	620H97-7	CONTROLLER		1		ovlad
C10	688163-8	filtr		1		filtr AH3756 DCU180 DHS630 DHS710 DLM 460 DSS610 DTW190 DUH551 DUH651
C20	688164-6	LINE FILTER		1		
041	632R99-1	TERMINAL UNIT		1		terminal
042	8116F2-7	PT001G SERIAL NO. LABEL		1		
043	140W22-7	SWITCH COMPLETE		1		vyp
044	456799-9	TRIGGER LOCK		1		z
045	632S31-1	SWITCH UNIT		1		vyp
046	232370-1	COMPRESSION SPRING 5		1		pru
047	232672-5	LEAF SPRING		1		pru
048	413328-1	TRIGGER		1		spou
049	347932-3	LOCK ARM		1		z
050	327941-8	LOCK PIN		1		
051	347934-9	GEAR PLATE		1		p
052	266901-4	TAPPING SCREW 4X14		1		
053	141G69-8	SPUR GEAR 61 COMPLETE		1		ozuben
054	226892-1	SPUR GEAR 25		1		ozubeno kolo
055	141G70-3	BASE PLATE COMPLETE		1		z
056	620507-6	LED CIRCUIT		1		sv
057	266490-9	TAPPING SCREW PT 2X6		3		
058	122B56-6	GEAR ASSEMBLY		1		p
059	629A99-8	STATOR		1		stator
060	652069-6	FLAT HEAD SCREW M3X6		3		
061	619727-7	ROTOR		1		rotor
063	136663-7	ADJUSTER ASSEMBLY		1		nastaven
063		INC. 64-70				
064	327940-0	ADJUSTER SHAFT		1		
065	216031-1	STEEL BALL 2.3		1		
066	413D64-3	CONTACT ARM		1		
067	234254-9	COMPRESSION SPRING 2		1		
068	413D61-9	ADJUSTER		1		
069	313405-8	ARM		1		
070	961017-7	zajišťovací kroužek E-3		2		zaji
071	922102-1	6-Kantschraube M4x6		1		6-Kantschraube M4x

					6=new922109-7	
072	265C44-7	H.L.BUTTON HEAD BOLT M4X6		1		
073	347929-2	SPRING COVER		1		
074	141G71-1	DRIVER GUIDE COVER COMPLETE		1		
075	922102-1	6-Kantschraube M4x6		3	6-Kantschraube M4x6=new922109-7	
076	313404-0	CONTACT TOP COVER		1		
077	232740-4	COMPRESSION SPRING 3		1		
078	141D51-9	CENTER PLATE COMPLETE		1		
079	922106-3	HEX. SOCKET HEAD BOLT M4X8		2		
080	141D52-7	DRIVER GUIDE COMPLETE		1		
081	122B55-8	DRIVER GUIDE ASSEMBLY		1	veden	
081		INC. 72-80				
082	922112-8	imbus M4x10		3	imbus M4x10	
083	136657-2	MAGAZINE ASSEMBLY		1	z	
083		INC. 85-106				
084	911133-5	šroub M4x18		2		
085	232362-0	LEAF SPRING		1	pru	
086	347138-3	PUSHER		1		
087	232367-0	COMPRESSION SPRING 3		4	pru	
088	310176-8	STOPPER		1	zar	
089	346239-4	NAIL STOPPER		4		
090	266177-3	šroub M 3x10		2		
091	233018-8	vinutá pružina 3 JR3030T		1	vinut	
092	457382-5	NAIL GUIDE HOLDER		1	veden	
093	458195-7	MAGAZINE		1		
094	233459-8	pružina 233459-8		1		
095	347137-5	SPACER		1	podlo	
096	457383-3	SHOULDER PIN 5-6		1		
097	911113-1	šroub M4x10		1		
098	144335-0	LOWER RAIL COMPLETE		1	kolej	
099	457387-5	SPRING COVER		1	pru	
100	232366-2	COMPRESSION SPRING 5		1	pru	
101	457381-7	SLIDE DOOR CAP		1	klapka	
102	457380-9	UPPER RAIL		1	veden	
103	233117-6	pružina 6 GA7010C/9010C/S		1	pru	
104	413329-9	LEVER		1	p	
105	262054-7	o kroužek		1	o krou	
106	256793-9	PIN 3		1		
A02	251314-2	028078		1		
A03	346317-0	háček BDF/BHP446_456		1	h	
A04	422844-2	NOSE ADAPTER		2		
A05	783201-2	klíč inbus 3		1		
A06	821834-6	PLASTIC CASE		1		
C10	162302-3	spona		2	spona	
A07	835V71-8	INNER TRAY		1		
A08	8049A8-5	PT001GZ01 PLASTIC CASE LABEL		2		
A08	8049B0-8	PT001GD101 PLASTIC CASE LABEL		2		
A09	***DC40RA	DC40RA FAST CHARGER		1		
A09		COMPO-PARTS				

A10	191B36-3	BATTERY BL4025 SET		1			
-----	----------	--------------------	--	---	--	--	--

Prosím uveďte objednáací číslo dílu v objednávce

Datum tisku 04. 11. 2024