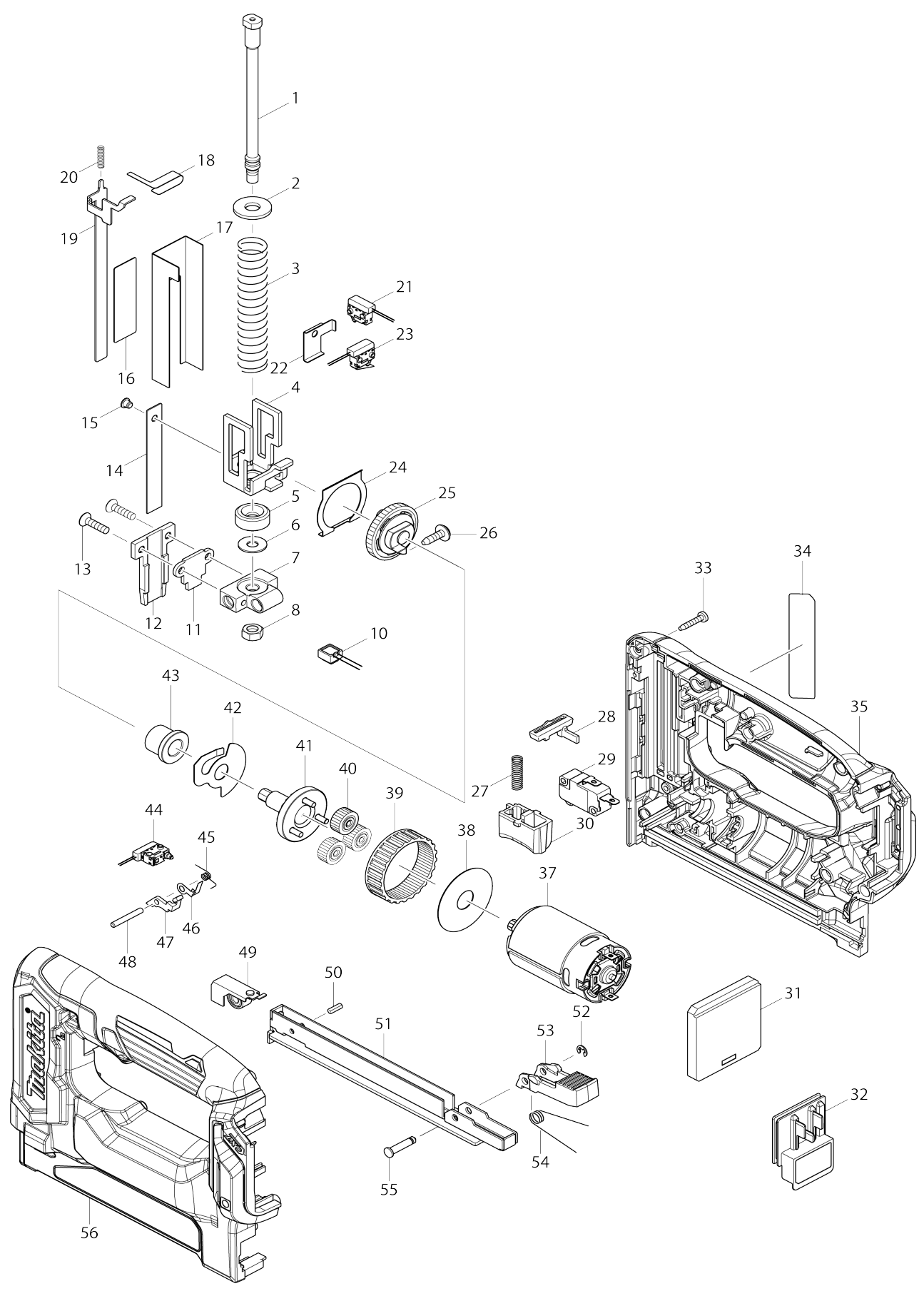


Model No.ST113D CORDLESS STAPLER



Model No.ST113D CORDLESS STAPLER

Obj. č.	Obj. č.	Popis	Možn ost zá měny	Množ ství	Nový/ Starý	Poznámka 1	Poznámka 2
001	326731-6	GUIDE BOLT		1			
002	253762-1	Scheibe 8		1		podlo	
003	232297-5	COMPRESSION SPRING 13		1		pru	
004	347023-0	HAMMER		1			
005	424099-5	CUSHION		1		pol	
006	253804-1	podložka 6		1		podlo	
007	319425-0	HOLDER		1	*	dr	
007-1	319425-0	HOLDER	O	1		dr	
008	931302-2	matka M6		1		matka M6=new25227 3-3	
010	620507-6	LED CIRCUIT		1		sv	
011	347037-9	SET PLATE		1		p	
012	326738-2	DRIVER GUIDE		1		veden	
013	251487-1	H.SOCKET C.S.HEAD SCREW M4X 16		2			
014	347034-5	DRIVER		1		p	
015	256318-9	FLAT FILLISTER HD. PIN 4		1			
016	347038-7	UPPER PLATE		1		vrchn	
017	347036-1	GUIDE PLATE		1		veden	
018	232300-2	LEAF SPRING		1		pru	
019	347042-6	CONTACT ARM		1	*		
019-1	347316-5	CONTACT ARM	<	1		rameno	
020	232337-9	COMPRESSION SPRING 3		1		pru	
021	632G60-2	SWITCH UNIT		1		vyp	
022	347121-0	SLIDE PLATE		1		deska	
023	632G61-0	SWITCH UNIT		1		vyp	
024	347040-0	GEAR PLATE		1		deska	
025	143770-9	SPUR GEAR 43 COMPLETE		1		ozuben	
026	266901-4	TAPPING SCREW 4X14		1			
027	232299-1	COMPRESSION SPRING 5		1		pru	
028	456799-9	TRIGGER LOCK		1		z	
029	632J09-0	SWITCH UNIT		1	*		
029-1	632M82-8	SWITCH UNIT	<	1			
030	457303-7	TRIGGER		1		spou	
031	620598-7	CONTROLLER		1		ovl	
032	644813-5	TERMINAL		1		terminal	
033	266130-9	šroub PT 3X		10			
034	852U41-6	ST113D NAME PLATE		1	*		
034-1	852U40-8	ST113D NAME PLATE	<	1			
035	183F23-0	HOUSING SET		1		obal	
C10	263002-9	vymezovací čep 4		2			
C20	252126-6	HEX. LOCK NUT M4-7		2		matka	
035		INC. 56					
037	629240-7	DC MOTOR		1		motor	
038	267053-4	FLAT WASHER 12		1		podlo	
039	227166-3	INTERNAL GEAR 69		1		ozuben	
040	221961-3	SPUR GEAR 27		3		ozuben	
041	143777-5	SPUR GEAR 7 COMPLETE		1		ozuben	
042	345773-1	deska		1		deska	

043	214059-3	PLANE BEARING 10		1		
044	632G60-2	SWITCH UNIT		1		vyp
045	232298-3	TORTION SPRING 3		1		pru
046	347041-8	SLIP PLATE		1		doraz
047	456796-5	SWITCH PLATE		1		p
048	256221-4	čep 3 JR3020		1		
049	143780-6	SPIRAL SPRING COMPLETE		1		pru
050	951051-5	zajišťovací kolík 3x8		1		zaji
051	161467-8	SUB MAGAZINE		1		spodn
052	961017-7	zajišťovací kroužek E-3		1		zaji
053	456798-1	LEVER		1		p
054	232301-0	TORSION SPRING 7		1		pru
055	268029-4	PIN 4		1		
056	183F23-0	HOUSING SET		1		obal
C10	263002-9	vymezovací čep 4		2		
C20	252126-6	HEX. LOCK NUT M4-7		2		matka
056		INC. 35				
A01	195246-2	SAFETY GOGGLE		1	*	
A02	266622-8	+ TRUSS HEAD SCREW M4X12		1	*	
A02-1	251314-2	028078	O	1		
A03	346909-5	HOOK		1		
A04	821549-5	systainer Makpac 395x295x105 mm		1		
C10	453974-8	LATCH		4		spona Makpacu
A05	839019-0	INNER TRAY		1		
A06	810X08-8	ST113DWAJ INDICATION LABEL		1	*	
A06	810X11-9	ST113DWMJ INDICATION LABEL		1	*	
A06-1	810X07-0	ST113DWAJ INDICATION LABEL	<	1		
A06-1	810X10-1	ST113DWMJ INDICATION LABEL	<	1		
A07	810X09-6	ST113DWAJ PLASTIC CASE LABEL		2		
A07	810X12-7	ST113DWMJ PLASTIC CASE LABEL		2		
A08	456128-6	BATTERY COVER		1		
A09	***DC10WC	DC10WC BATTERY CHARGER		1	*	
A09		COMPO-PARTS			*	
A09-1	***DC10WD	DC10WD BATTERY CHARGER	<	1		
A09-1		COMPO-PARTS				
A10	197394-3	BATTERY BL1020B SET		2	*	
A10	197402-0	BATTERY BL1040B SET		2	*	
A10-1	197396-9	BATTERY BL1021B SET	<	2	*	
A10-1	197406-2	BATTERY BL1041B SET	<	2	*	
A10-2	197396-9	BATTERY BL1021B SET	O	2		
A10-2	197406-2	BATTERY BL1041B SET	O	2		
F01	197731-1	ADJUSTER SET		1		
F05	198968-3	BATTERY BL1016 SET		1	*	
F06	198969-1	BATTERY BL1016 SET (2PIECES)		1	*	
F07-1	198970-6	BATTERY BL1021B SET (2PIECES)	O	1	*	
F08-1	199002-2	BATTERY BL1041B SET (2PIECES)	O	1	*	
F40	347C56-3	HOOK		1		

Prosím uveďte objednávací číslo dílu v objednávce

Datum tisku 05. 11. 2024