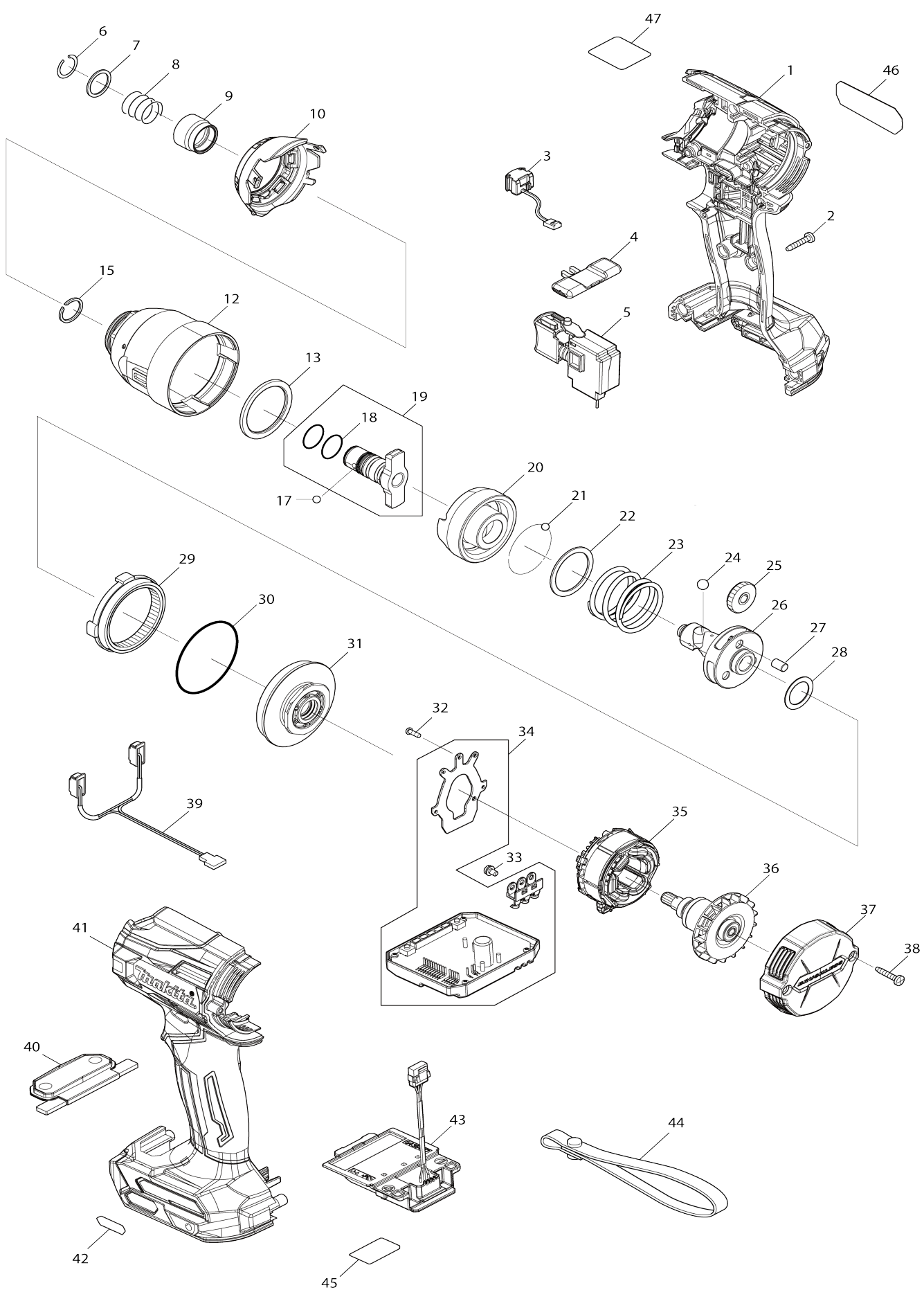


Model No.TD001G CORDLESS IMPACT DRIVER



Model No.TD001G CORDLESS IMPACT DRIVER

Obj. č.	Obj. č.	Popis	Možn ost zá měny	Množ ství	Nový/ Starý	Poznámka 1	Poznámka 2
001	183P56-5	HOUSING SET		1	*	obal stroje	
C10	263005-3	vymezovací čep 6		2	*		
C20	252126-6	HEX. LOCK NUT M4-7		2	*	matka	
C30	422616-5	SPONGE SHEET		1	*		
001		INC. 41			*		
001-1	183P56-5	HOUSING SET	O	1		obal stroje	
C10	263005-3	vymezovací čep 6		2			
C20	252126-6	HEX. LOCK NUT M4-7		2		matka	
001-1		INC. 41					
002	266130-9	šroub PT 3X		8			
003	632L84-8	SWITCH UNIT		1		vyp	
004	455053-8	F/R CHANGE LEVER		1		p	
005	651442-7	SWITCH C3JR-1A-1		1		vyp	
006	231952-6	RING SPRING 12		1		krou	
007	267101-9	podložka 14		1		podlo	
008	232592-3	COMPRESSION SPRING 14		1		pru	
009	327531-7	BIT SLEEVE		1	*	pouzdro	
009-1	327960-4	BIT SLEEVE	O	1		pouzdro =old 327531 -7	
010	136171-8	HAMMER CASE COVER ASSY		1		obal stroje	
C10	422269-0	BUMPER		1		doraz	
012	140R47-1	HAMMER CASE COMPLETE		1		obal stroje	
C10	210177-5	BALL BEARING 68/14LLU		2			
C20	267063-1	FLAT WASHER 18		1			
C30	962113-4	RETAINING RING R-24		1			
013	261160-5	NYLON WASHER 30		1		podlo	
015	259075-8	RETAINING RING(EXT) WR-14		1		krou	
017	216001-0	kulička 3.5		2			
018	213118-0	o-kroužek 12 HR5211C/5210C		2		o-krou	
019	136205-7	ANVIL M ASS'Y		1		kovadlina	
019		INC. 18					
020	327525-2	HAMMER		1			
021	216001-0	kulička 3.5		25			
022	267342-7	FLAT WASHER 26		1			
023	232591-5	COMPRESSION SPRING 25		1		pru	
024	216013-3	kulička 6		2		kuli	
025	226960-0	SPUR GEAR 24		3	*	ozuben	
025-1	227915-8	SPUR GEAR 24	<	3	*	ozuben	
025-2	227926-3	SPUR GEAR 24	<	3			
026	327524-4	SPINDLE		1		v	
027	268311-1	PIN 5		3			
028	267194-6	FLAT WASHER 15		1		podlo	
029	226961-8	INTERNAL GEAR 56		1		ozuben	
030	213892-0	O-RING 43		1		o-krou	
031	140R48-9	BEARING BOX COMPLETE		1		pouzdro lo	
032	266490-9	TAPPING SCREW PT 2X6		3			
033	652069-6	FLAT HEAD SCREW M3X6		3			
034	620B96-3	CONTROLLER		1		ovl	

035	629464-5	STATOR		1		stator	
036	619605-1	ROTOR		1		rotor	
037	412339-3	REAR COVER		1		zadn	
038	266130-9	šroub PT 3X		2			
039	620B97-1	LED CIRCUIT		1		LED okruh	
040	140R54-4	SWITCH PLATE COMPLETE		1		vyp	
C10	8011F4-1	SWITCH LABEL		1			
041	183P56-5	HOUSING SET		1	*	obal stroje	
C10	263005-3	vymezovací čep 6		2	*		
C20	252126-6	HEX. LOCK NUT M4-7		2	*	matka	
C30	422616-5	SPONGE SHEET		1	*		
041		INC. 1			*		
041-1	183P56-5	HOUSING SET	O	1		obal stroje	
C10	263005-3	vymezovací čep 6		2			
C20	252126-6	HEX. LOCK NUT M4-7		2		matka	
041-1		INC. 1					
042	8007R2-2	XGT LOGO LABEL		1			
043	632P49-4	TERMINAL UNIT		1		termin	
045	856V15-5	TD001G SERIAL NO. LABEL		1			
046	856V08-2	TD001G NAME PLATE		1			
A01	266622-8	+ TRUSS HEAD SCREW M4X12		1			
A02	346317-0	háček BDF/BHP446_456		1		h	
A04	412393-7	BATTERY COVER		1			
A05	191B26-6	BATTERY BL4040 SET		2			
A06	***DC40RA	DC40RA FAST CHARGER		1			
A06		COMPO-PARTS					
A07	821550-0	systainer Makpac 395x295x157 mm		1			
C10	453974-8	LATCH		4		spona Makpacu	
A08	8011K3-8	TD001GZ02 PLASTIC CASE LABEL		2			
A08	8011L2-7	TD001GM201 PLASTIC CASE LABEL		2			
A09	8011K2-0	TD001GZ02 INDICATION LABEL		1			
A09	8011L1-9	TD001GM201 INDICATION LABEL		1			
A10	835F94-0	INNER TRAY		1			
A12	784044-5	+BIT2-50		1			
F04-1	191F58-7	TOOL HANGER SET	O	1			

Prosím uveďte objednací číslo dílu v objednávce

Datum tisku 05. 11. 2024