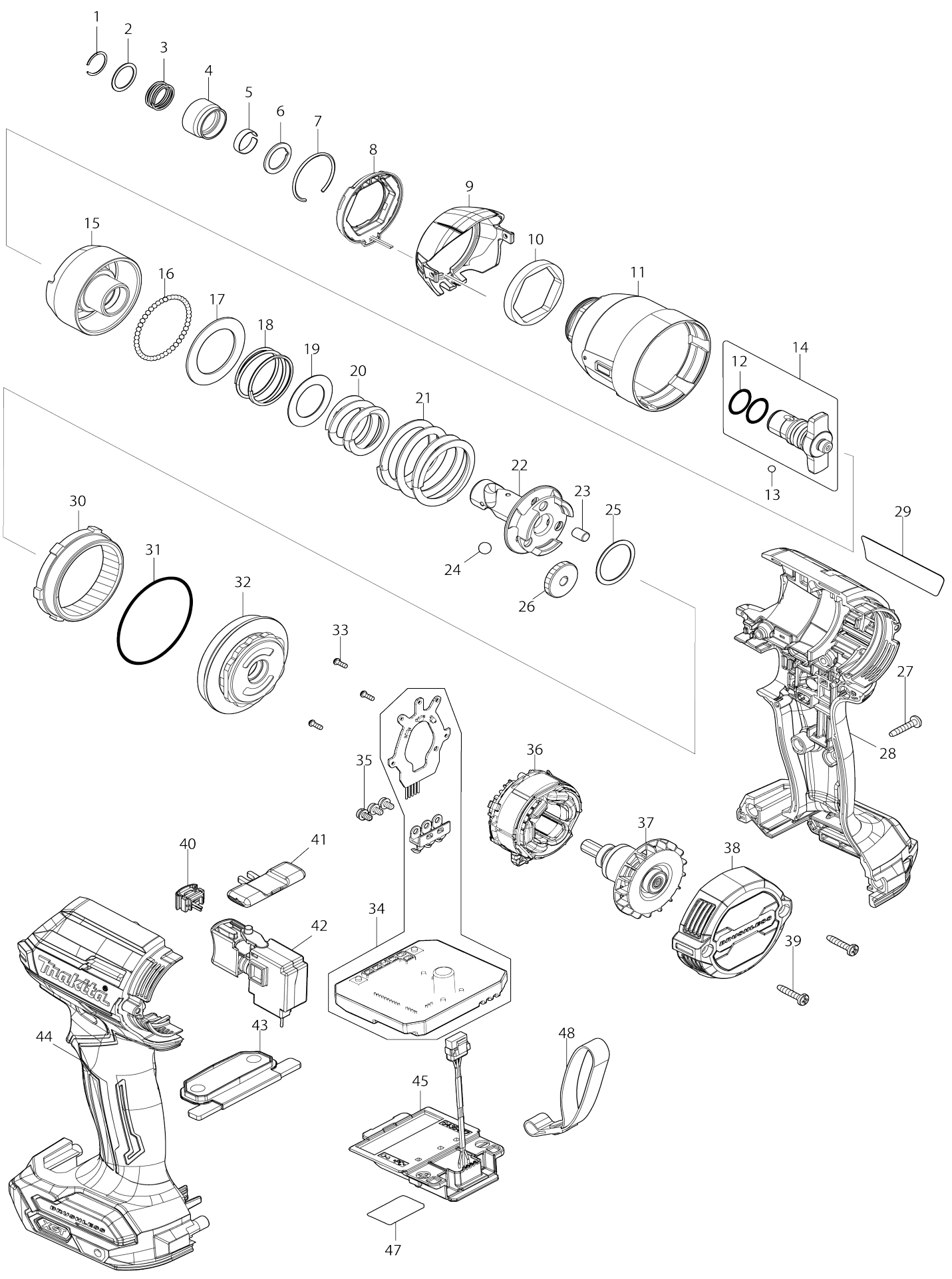


Model No.TD002G CORDLESS IMPACT DRIVER



Model No.TD002G CORDLESS IMPACT DRIVER

Obj. č.	Obj. č.	Popis	Možnost záměny	Množství	Nový/ Starý	Poznámka 1	Poznámka 2
001	231952-6	RING SPRING 12		1		krou	
002	267101-9	podložka 14		1		podlo	
003	232592-3	COMPRESSION SPRING 14		1		pru	
004	327989-0	BIT SLEEVE		1		pouzdro	
005	232692-9	LEAF SPRING		1		pru	
006	253496-6	FLAT WASHER 13		1			
007	232751-9	RING SPRING 27		1		krou	
008	620H90-1	LED CURCUIT		1		led okruh	
009	413L58-6	HAMMER CASE COVER		1		kryt	
010	422874-3	SPONGE SHEET		1		p	
011	141J66-2	HAMMER CASE COMPLETE		1		obal stroje	
012	213166-9	O RING 12.5		2			
013	216001-0	kulička 3.5		2			
014	136936-8	ANVIL M ASSEMBLY		1		udern	
014		INC. 12					
015	327985-8	HAMMER		1		kladivo	
016	216015-9	STEEL BALL 2.4		45		kuli	
017	253559-8	FLAT WASHER 26		1		ploch	
018	232750-1	COMPRESSION SPRING 26		1		kompresn	
019	253560-3	FLAT WASHER 19		1		ploch	
020	232749-6	COMPRESSION SPRING 20		1		kompresn	
021	232748-8	COMPRESSION SPRING 31		1		pru	
022	327984-0	SPINDLE		1		v	
023	256A12-9	PIN 5		3			
024	216013-3	kulička 6		2		kuli	
025	267283-7	podložka 21 BFL300F-400F		1		podlo	
026	227956-4	SPUR GEAR 24		3		dr	
027	266130-9	šroub PT 3X		8			
028	183V61-8	HOUSING SET		1		obal	
C10	263005-3	vymezovací čep 6		2			
C20	252126-6	HEX. LOCK NUT M4-7		2		matka	
C30	8007R2-2	XGT LOGO LABEL		1			
028		INC. 44					
029	858P41-4	TD002G NAME PLATE		1			
030	227957-2	INTERNAL SPUR GEAR 56		1		ozuben	
031	213A18-0	O-RING 45		1		o-krou	
032	141J65-4	BEARING BOX COMPLETE		1		pouzdro lo	
033	266490-9	TAPPING SCREW PT 2X6		3			
034	620H91-9	CONTROLLER		1		ovlada	
035	652069-6	FLAT HEAD SCREW M3X6		3			
036	629464-5	STATOR		1		stator	
037	619748-9	ROTOR		1		rotor	
038	413G19-6	REAR COVER		1		zadn	
039	266130-9	šroub PT 3X		2			
040	632T17-1	SWITCH UNIT		1		vyp	
041	455053-8	F/R CHANGE LEVER		1		p	
042	651442-7	SWITCH C3JR-1A-1		1		vyp	
043	141L82-6	SWITCH PLATE COMPLETE		1		sp	

044	183V61-8	HOUSING SET		1		obal	
C10	263005-3	vymezovací čep 6		2			
C20	252126-6	HEX. LOCK NUT M4-7		2		matka	
C30	8007R2-2	XGT LOGO LABEL		1			
044		INC. 28					
045	632P49-4	TERMINAL UNIT		1		termin	
047	858P42-2	TD002G SERIAL NO.LABEL		1			
A01	266622-8	+ TRUSS HEAD SCREW M4X12		1			
A02	346317-0	háček BDF/BHP446_456		1		h	
A04	412393-7	BATTERY COVER		1			
A05	***DC40RA	DC40RA FAST CHARGER		1			
A05		COMPO-PARTS					
A06	191B36-3	BATTERY BL4025 SET		2			
A07	821883-3	PLASTIC CASE		1			
C10	458362-4	LATCH		2			
C20	413G37-4	LATCH		1			
A07	141M60-2	CONNECTOR P.CASE (TYPE2) CO MP.		1			
C10	453974-8	LATCH		4		spona Makpacu	
A08	8057F0-7	TD002GD202 PLASTIC CASE LABE L		2			
A10	835F94-0	INNER TRAY		1			
A11	784044-5	+BIT2-50		1			

Prosím uveďte objednáč. číslo dílu v objednávce

Datum tisku 05. 11. 2024