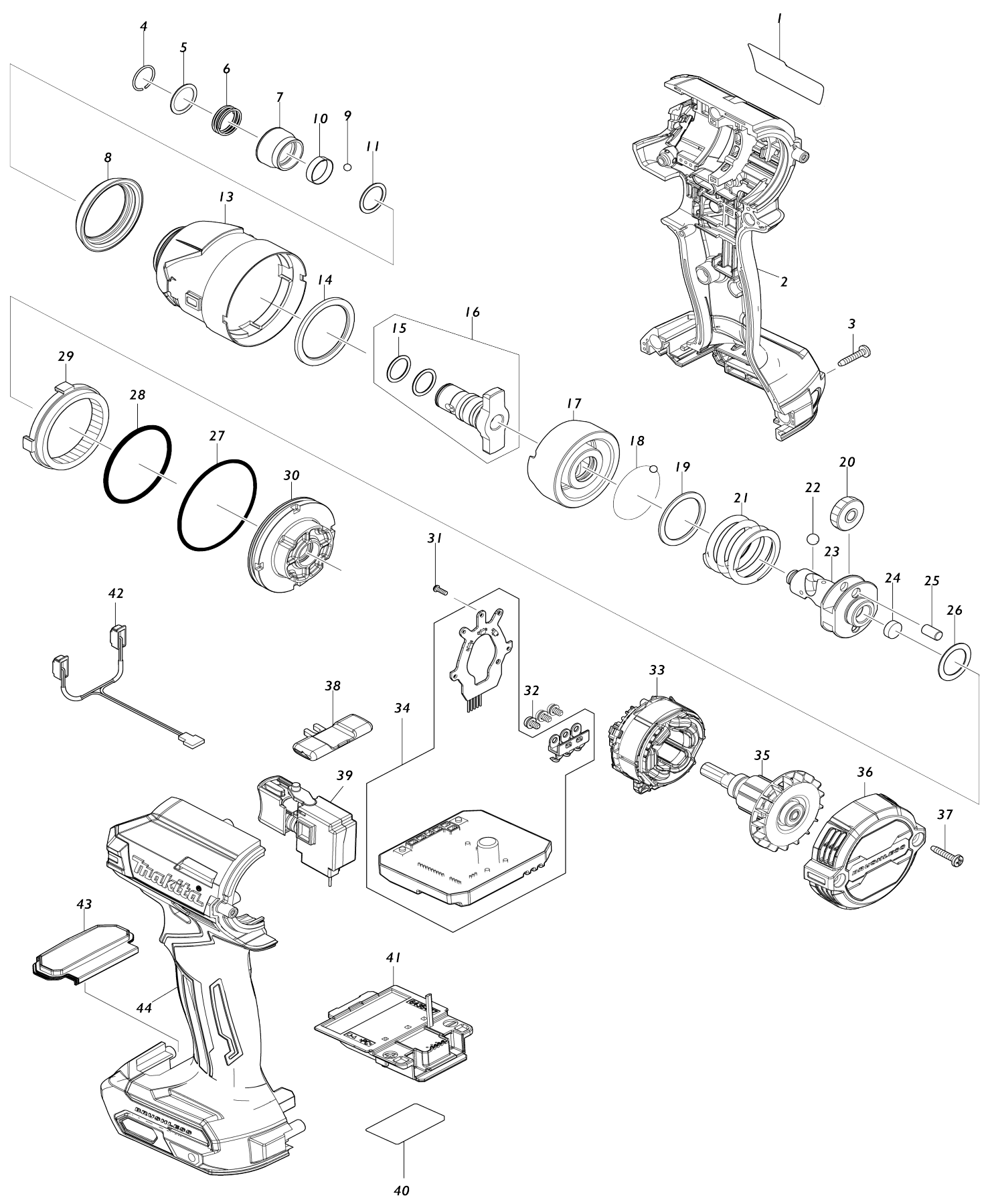


Model No.TD003G CORDLESS IMPACT DRIVER



Model No.TD003G CORDLESS IMPACT DRIVER

Obj. č.	Obj. č.	Popis	Možn ost zá měny	Množ ství	Nový/ Starý	Poznámka 1	Poznámka 2
001	8586R3-8	TD003G NAME PLATE		1			
002	183X95-3	HOUSING SET		1		obal stroje	
C10	263005-3	vymezovací čep 6		2			
C20	252126-6	HEX. LOCK NUT M4-7		2		matka	
C30	8007R2-2	XGT LOGO LABEL		1			
002		INC. 44					
003	266429-2	TAPPING SCREW 3X16		8			
004	231952-6	RING SPRING 12		1		krou	
005	253575-0	FLAT WASHER 13		1		podlo	
006	232592-3	COMPRESSION SPRING 14		1		pru	
007	327B23-8	BIT SLEEVE		1		pouzdro	
008	422A03-4	BUMPER		1		doraz	
009	216040-0	STEEL BALL 3.5		2		kuli	
010	232800-2	LEAF SPRING		1		pru	
011	253575-0	FLAT WASHER 13		1		podlo	
013	141M85-6	HAMMER CASE COMPLETE		1		obal	
014	261160-5	NYLON WASHER 30		1		podlo	
015	213166-9	O RING 12.5		2			
016	136913-0	ANVIL M ASS'Y		1			
016		INC. 15					
017	327B60-2	HAMMER		1		kladivo	
018	216040-0	STEEL BALL 3.5		24		kuli	
019	267175-0	podložka 6914D		1		podlo	
020	227362-3	SPUR GEAR 22		2		ozuben	
021	232789-4	COMPRESSION SPRING 24		1		pru	
022	216011-7	kulička 5.6		2			
023	327C18-7	SPINDLE		1		v	
024	422994-3	FELT		1	*	veden	
024-1	422B40-4	FELT	S	1			
025	256253-1	čep 5 6918D		2			
026	267194-6	FLAT WASHER 15		1		podlo	
027	213606-7	o-kroužek 48		1		o-krou	
028	213507-9	o-kroužek 40		1		o-krou	
029	227A92-2	INTERNAL GEAR 51		1		ozuben	
030	141M87-2	BEARING BOX COMPLETE		1		pouzdro lo	
031	266490-9	TAPPING SCREW PT 2X6		3			
032	652069-6	FLAT HEAD SCREW M3X6		3			
033	629C08-9	STATOR		1		stator	
034	620L00-2	CONTROLLER		1		ovl	
035	619808-7	ROTOR		1	*	rotor	
035-1	619877-8	ROTOR	S	1			
036	413L86-1	REAR COVER		1		zadn	
037	266429-2	TAPPING SCREW 3X16		2			
038	455053-8	F/R CHANGE LEVER		1		p	
039	651442-7	SWITCH C3JR-1A-1		1		vyp	
040	8586S0-1	TD003G SERIAL NO. LABEL		1			
041	632P49-4	TERMINAL UNIT		1		termin	
042	620B97-1	LED CIRCUIT		1		LED okruh	

043	141M86-4	SWITCH PLATE COMPLETE		1	p	
044	183X95-3	HOUSING SET		1	obal stroje	
C10	263005-3	vymezovací čep 6		2		
C20	252126-6	HEX. LOCK NUT M4-7		2	matka	
C30	8007R2-2	XGT LOGO LABEL		1		
044		INC. 2				
A01	266622-8	+ TRUSS HEAD SCREW M4X12		1		
A02	346317-0	háček BDF/BHP446_456		1	h	
A03	784044-5	+BIT2-50		1		
A04	821550-0	systainer Makpac 395x295x157 mm		1		
C10	453974-8	LATCH		4	spona Makpacu	
A05	8065U1-1	TD003GA201 PLASTIC CASE LABEL		2		
A06	8065U2-9	TD003GA201 INDICATION LABEL		1		
A07	835F94-0	INNER TRAY		1		
A08	412393-7	BATTERY COVER		1		
A09	***DC40RC	DC40RC FAST CHARGER		1		
A09		COMPO-PARTS				
A10	191L29-0	BATTERY BL4020 SET		2		

Prosím uveďte objednáč. číslo dílu v objednávce

Datum tisku 05. 11. 2024