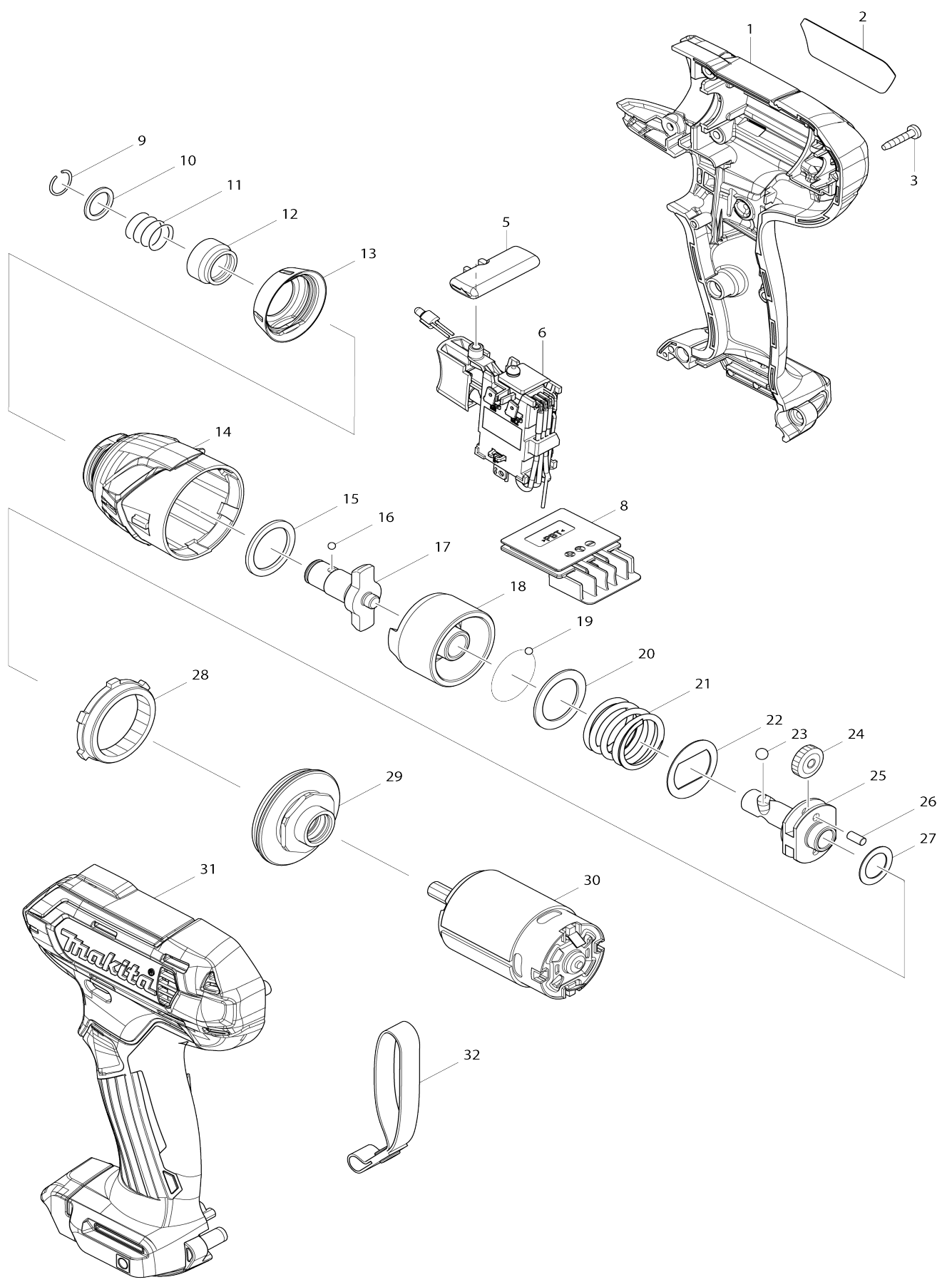


Model No.TD110D CORDLESS IMPACT DRIVER



Model No.TD110D CORDLESS IMPACT DRIVER

Obj. č.	Obj. č.	Popis	Možn ost zá měny	Množ ství	Nový/ Starý	Poznámka 1	Poznámka 2
001	183B49-8	HOUSING SET		1		obal TD110	
C10	252126-6	HEX. LOCK NUT M4-7		2		matka	
001		INC. 31					
002	851G86-7	TD110D NAME PLATE		1	*		
002-1	851G85-9	TD110D NAME PLATE	<	1			
003	266429-2	TAPPING SCREW 3X16		8			
005	456039-5	F/R CHANGE LEVER		1		p	
006	632F42-8	SWITCH UNIT		1	*		
C10	620463-0	LED CIRCUIT		1	*		
C20	632F64-8	LINE FILTER UNIT		1	*		
006-1	632J76-5	SWITCH UNIT	<	1		p	
C10	620625-0	LED CIRCUIT		1			
C20	632F64-8	LINE FILTER UNIT		1	*		
C21	688161-2	LINE FILTER	<	1			
008	644813-5	TERMINAL		1		terminal	
009	231965-7	zajišťovací kroužek 10mm		1		zaji	
010	267143-3	podložka 11mm		1		podlo	
011	233005-7	vinutá pružina 13		1		vinut	
012	324711-6	BIT SLEEVE		1		pouzdro	
013	424737-9	BUMPER		1		doraz	
014	143277-5	HAMMER CASE COMPLETE		1		sk	
015	261140-1	podložka		1		podlo	
016	216019-1	kulička pr.3mm		2		kuli	
017	324895-0	vřeteno		1		v	
018	324894-2	tlouk TD0101F		1		tlouk TD0101F	
019	216019-1	kulička pr.3mm		24		kuli	
020	267380-9	FLAT WASHER 20		1		podlo	
021	234064-4	pružina		1		pru	
022	267813-4	WASHER 21		1		podlo	
023	216002-8	kulička 4.8		2		kuli	
024	227213-0	ozubené kolo		2		ozuben	
025	324897-6	vřeteno TD0101F		1		v	
026	268217-3	čep		2			
027	253052-2	podložka 12		1		podlo	
028	227215-6	ozubené kolo 43 TD0101F		1		ozuben	
029	158671-8	BEARING BOX COMPLETE		1		pouzdro lo	
030	629163-9	DC MOTOR		1		motor TD110	
031	183B49-8	HOUSING SET		1		obal TD110	
C10	252126-6	HEX. LOCK NUT M4-7		2		matka	
031		INC. 1					
033	688164-6	LINE FILTER		1	*		
033-1	632F64-8	LINE FILTER UNIT	<	1			
C10	688164-6	LINE FILTER		1			
A01	266622-8	+ TRUSS HEAD SCREW M4X12		1			
A02	346909-5	HOOK		1			
A03	784244-7	+ BIT 2-50		1			
A04	456128-6	BATTERY COVER		1			
A05	***DC10SA	DC10SA BATTERY CHARGER		1	*		

A05		COMPO-PARTS			*		
A05-1	***DC10SB	DC10SB BATTERY CHARGER	<	1			
A05-1		COMPO-PARTS					
A06	197394-3	BATTERY BL1020B SET		2	*		
A06-1	197396-9	BATTERY BL1021B SET	<	2	*		
A06-2	197396-9	BATTERY BL1021B SET	O	2			
A07	821661-1	PLASTIC CARRYING CASE		1			
C10	417724-5	sponka ke kufru 6317DW		2		sponka ke kufru HR2 450 HR2470 HR2470T	
F03	197390-1	BATTERY BL1015 SET		1			
F04	197391-9	BATTERY BL1015 SET		1			
F05	197393-5	BATTERY BL1016 SET		1			
F06	197394-3	BATTERY BL1020B SET		1			
F07	197395-1	BATTERY BL1020B SET		1			
F08-1	197396-9	BATTERY BL1021B SET	O	1			
F09-1	197397-7	BATTERY BL1021B SET	O	1			
F12	197402-0	BATTERY BL1040B SET		1			
F13	197403-8	BATTERY BL1040B SET		1			
F14	197404-6	BATTERY BL1040B SET		1			
F15-1	197406-2	BATTERY BL1041B SET	O	1			
F16-1	197407-0	BATTERY BL1041B SET	O	1			
F33	198968-3	BATTERY BL1016 SET		1	*		
F34	198969-1	BATTERY BL1016 SET (2PIECES)		1	*		
F35-1	198970-6	BATTERY BL1021B SET (2PIECES)	O	1	*		
F36-1	199002-2	BATTERY BL1041B SET (2PIECES)	O	1	*		
F40	347C56-3	HOOK		1			

Prosím uveďte objednáč. číslo dílu v objednávce

Datum tisku 05. 11. 2024