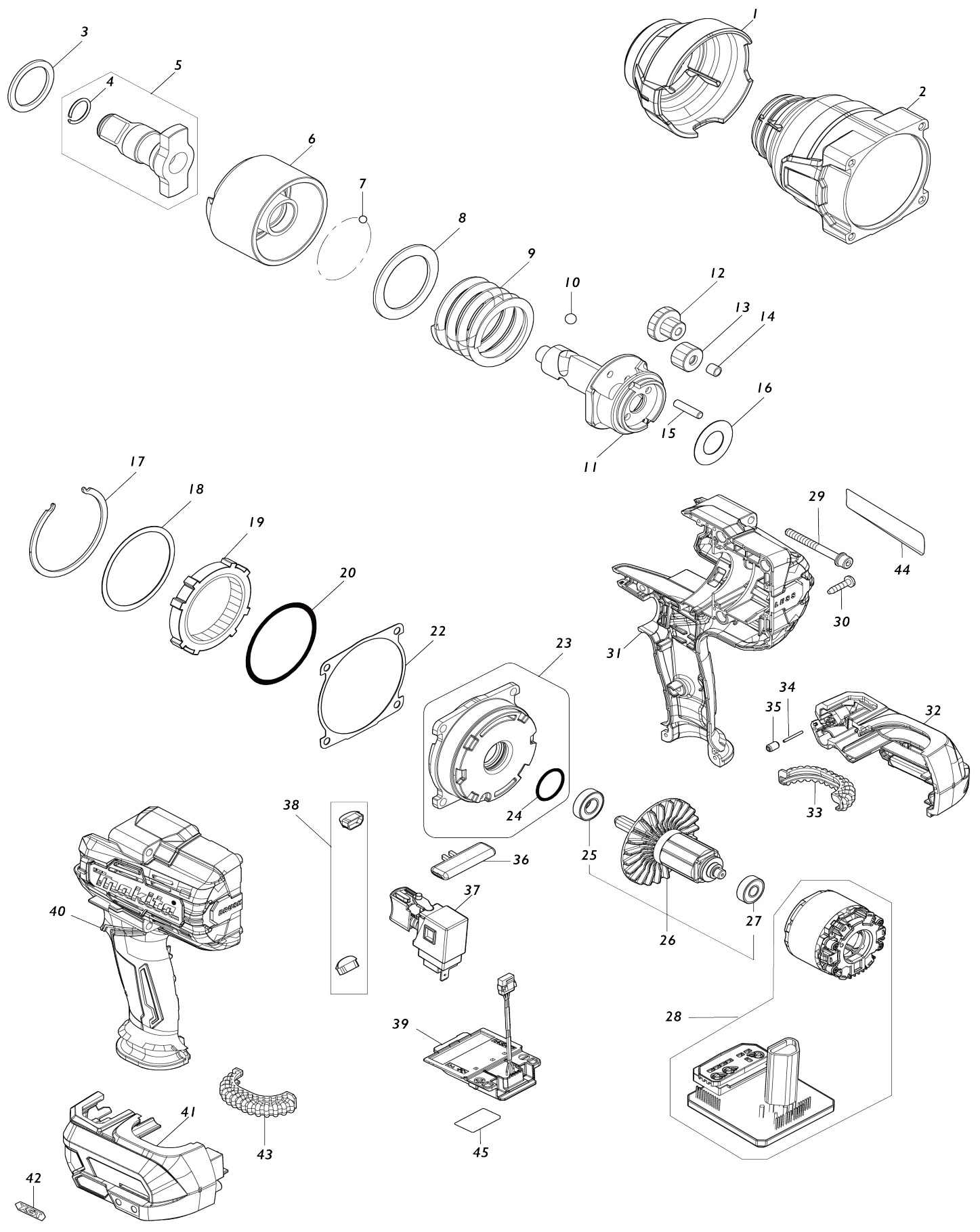


Model No.TW001G CORDLESS IMPACT WRENCH



Model No.TW001G CORDLESS IMPACT WRENCH

Obj. č.	Obj. č.	Popis	Možn ost zá měny	Množ ství	Nový/ Starý	Poznámka 1	Poznámka 2
001	422594-9	BUMPER		1		doraz TW001G	
002	140T99-4	HAMMER CASE COMPLETE		1		obal	
003	267250-2	FLAT WASHER 30		1		podlo	
004	232334-5	RING SPRING 16		1		pojistn	
005	136249-7	ANVIL E ASS'Y		1		udern	
005		INC. 4					
006	327595-1	HAMMER		1		klad	
007	216002-8	kulička 4.8		30		kuli	
008	253478-8	FLAT WASHER 41		1		podlo	
009	232623-8	COMPRESSION SPRING 41		1		pru	
010	216009-4	STEEL BALL 7.1		2			
011	327594-3	SPINDLE		1		v	
012	226990-1	SPUR GEAR 11-22		2		ozuben	
013	226989-6	SPUR GEAR 15		2	*	zuben	
013-1	227935-2	SPUR GEAR 15	S	2		ozuben	
014	257539-6	SLEEVE 5		2	*	pouzdro 7	
015	268238-5	PIN 5		4			
016	267235-8	podložka 6953		1		podlo	
017	346947-7	RETAINER		1		dr	
018	253479-6	FLAT WASHER 57		1		podlo	
019	226991-9	INTERNAL SPUR GEAR 50		1		ozuben	
020	213663-5	o-kroužek 55		1		o-krou	
022	422595-7	GASKET		1		t	
023	136279-8	INTERNAL GEAR CASE ASS'Y		1		obal p	
023		INC. 24					
024	213961-7	O RING 22		1			
025	210069-8	BALL BEARING 6900DDW		1		kuli	
026	519630-1	ROTOR ASSY		1	*	rotor	
026		INC. 25,27			*		
026-1	510604-5	ROTOR ASSY	O	1		rotor	
026-1		INC. 25,27					
027	211022-7	kuličkové ložisko		1	*	kuli	
027-1	210169-4	BALL BEARING 607LLB	O	1		lo	
028	629A16-8	STATOR UNIT		1		stator	
C10	8012S9-8	SWITCH LABEL		1			
029	265B38-6	H. S. HEAD BOLT M5X50 WITH W RM		4			
030	266326-2	šroub 4x18=new265995-6		9	*		
030-1	265995-6	šroub 4x18 = old 265941-9	O	9	*		
030-2	265E16-4	TAPPING SCREW 4X18	O	9			
031	183P61-2	HOUSING SET		1	*	obal=new183V83-8	
031		INC. 40			*		
031-1	183V83-8	HOUSING SET	<	1	*		
031-1		INC. 40			*		
031-2	1830R8-6	HOUSING SET	<	1			
031-2		INC. 40					
032	183P62-0	BATTERY HOUSING SET		1	*	kryt=new183S33-5	
C10	263005-3	vymezovací čep 6		2	*		

C20	252126-6	HEX. LOCK NUT M4-7		4	*	matka	
032		INC. 41			*		
032-1	183S33-5	BATTERY HOUSING SET	S	1		pouzdro	
C10	263005-3	vymezovací čep 6		2			
C20	252126-6	HEX. LOCK NUT M4-7		4		matka	
032-1		INC. 41					
033	424773-5	CUSHION RUBBER		1	*	guma DTW1001 DTW 1002 DTW800=new4 22A56-3	
033-1	422810-9	CUSHION RUBBER	<	1	*		
033-2	422A55-5	CUSHION RUBBER	<	1		guma DTW1001 DTW 1002 DTW800=old42 2810-9	
034	268284-8	PIN 1.5		1	*		
035	263036-2	spojka 5 BTW250RFE/BTL06		1	*	gumov	
036	456268-0	F/R CHANGE LEVER		1		p	
037	140U03-9	SWITCH COMPLETE		1		vyp	
C10	424774-3	SWITCH COVER		1			
038	620D09-6	LED CIRCUIT		1		okruh	
039	632P49-4	TERMINAL UNIT		1		termin	
040	183P61-2	HOUSING SET		1	*	obal=new183V83-8	
040		INC. 31			*		
040-1	183V83-8	HOUSING SET	<	1	*		
040-1		INC. 31			*		
040-2	1830R8-6	HOUSING SET	<	1			
040-2		INC. 31					
041	183P62-0	BATTERY HOUSING SET		1	*	kryt=new183S33-5	
C10	263005-3	vymezovací čep 6		2	*		
C20	252126-6	HEX. LOCK NUT M4-7		4	*	matka	
041		INC. 32			*		
041-1	183S33-5	BATTERY HOUSING SET	S	1		pouzdro	
C10	263005-3	vymezovací čep 6		2			
C20	252126-6	HEX. LOCK NUT M4-7		4		matka	
041-1		INC. 32					
042	8005T5-8	XGT LOGO LABEL		1	*		
043	424773-5	CUSHION RUBBER		1	*	guma DTW1001 DTW 1002 DTW800=new4 22A56-3	
043-1	422810-9	CUSHION RUBBER	<	1	*		
043-2	422A55-5	CUSHION RUBBER	<	1		guma DTW1001 DTW 1002 DTW800=old42 2810-9	
044	857G20-5	TW001G NAME PLATE		1			
045	857G27-1	TW001G SERIAL NO. LABEL		1			
A01	251314-2	028078		2			
A02	346949-3	HOOK		1		h	
A03	412393-7	BATTERY COVER		1			
A04	***DC40RA	DC40RA FAST CHARGER		1			
A04		COMPO-PARTS					
A05	191B36-3	BATTERY BL4025 SET		2			
A05	191B26-6	BATTERY BL4040 SET		2			
A06	821551-8	system Makpac 395x295x210 mm		1			
C10	453974-8	LATCH		4		spona Makpacu	

A07	835K85-1	INNER TRAY		1			
A08	8016P7-5	TW001GD201 PLASTIC CASE LABEL		2			
A09	8016P6-7	TW001GD201 INDICATION LABEL		1			
F01	191M83-0	RING SET		1			
F03	191G67-2	EXTENSION HANDLE SET		1			

Prosím uveďte objednáací číslo dílu v objednávce

Datum tisku 05. 11. 2024