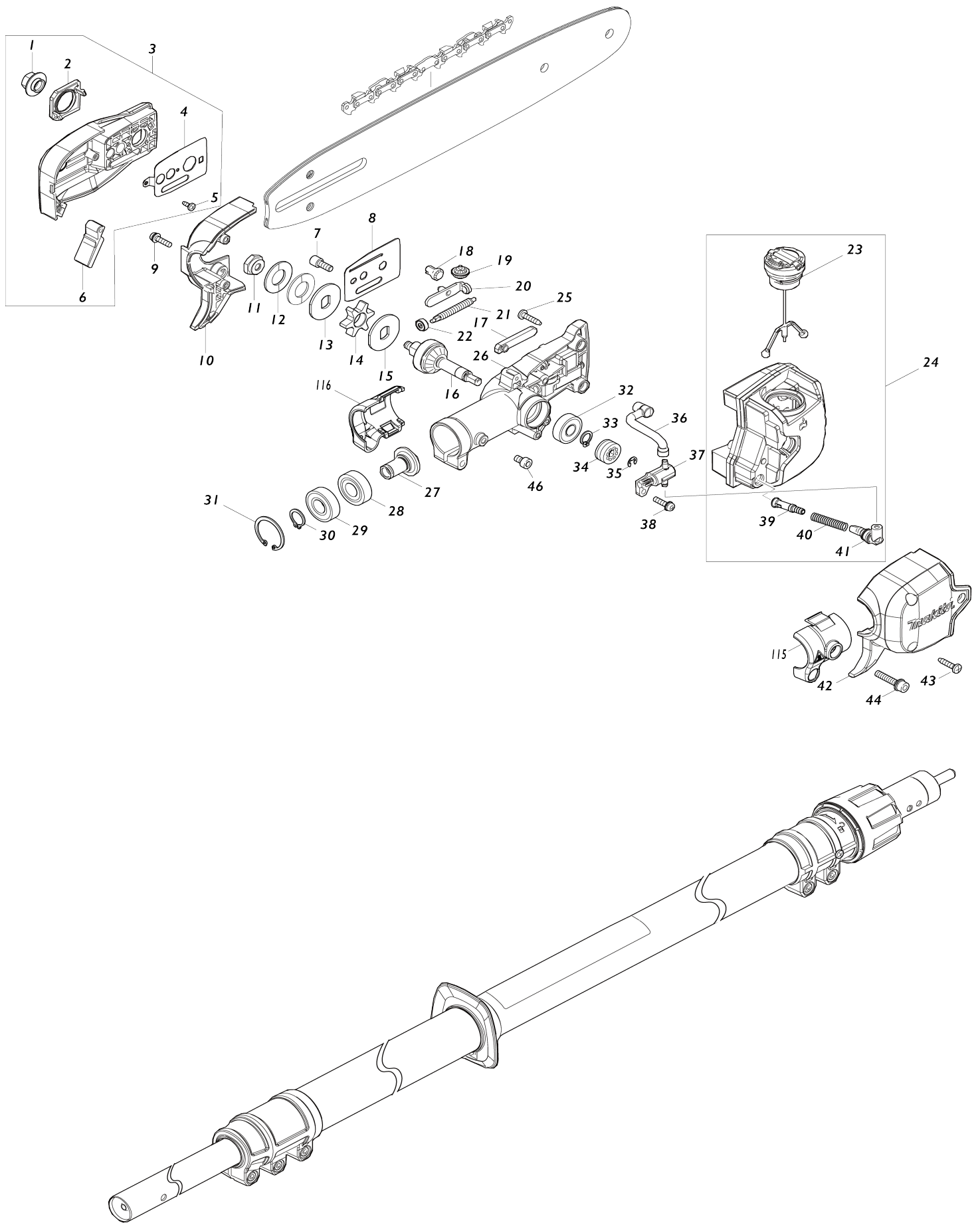
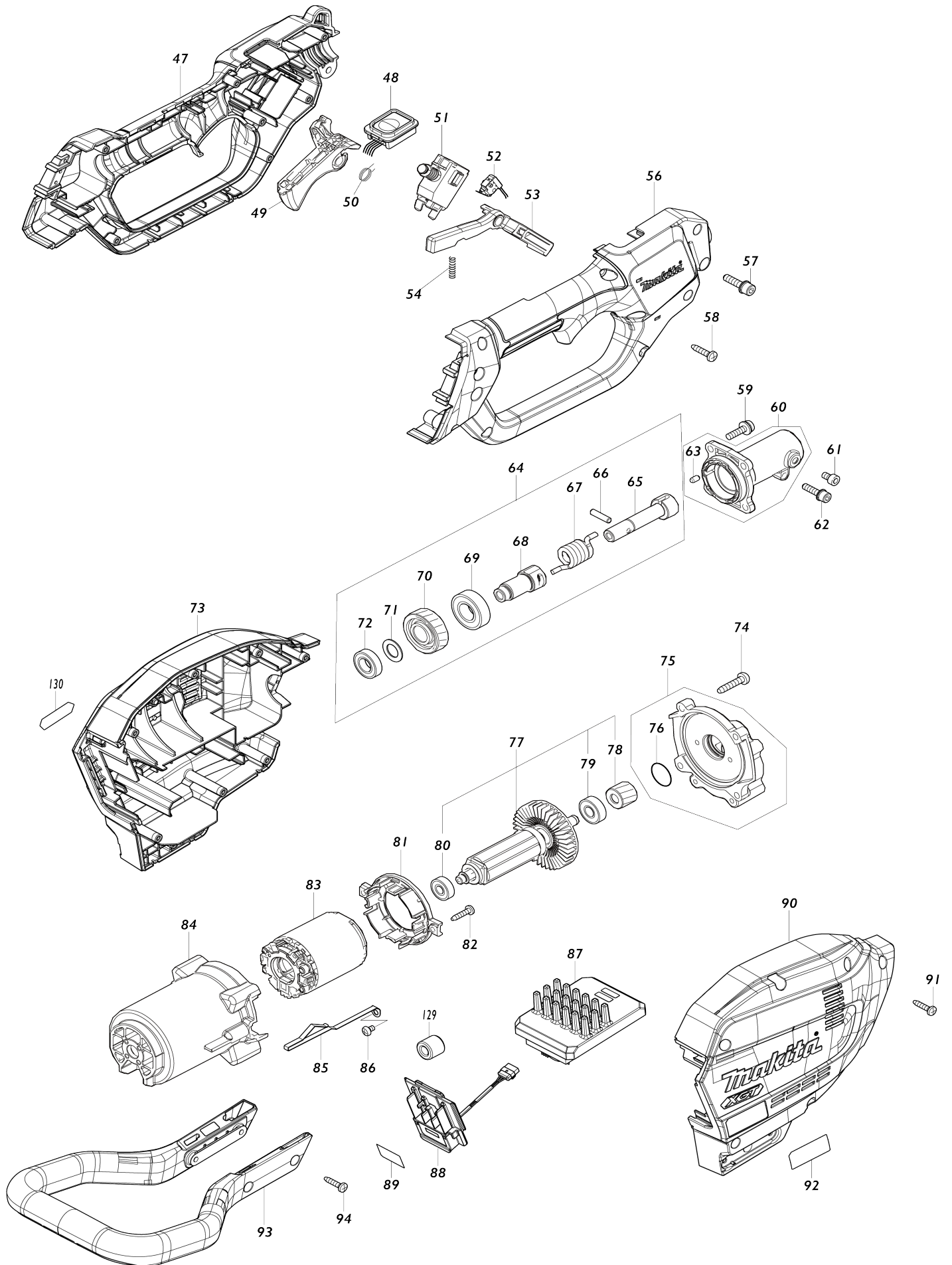


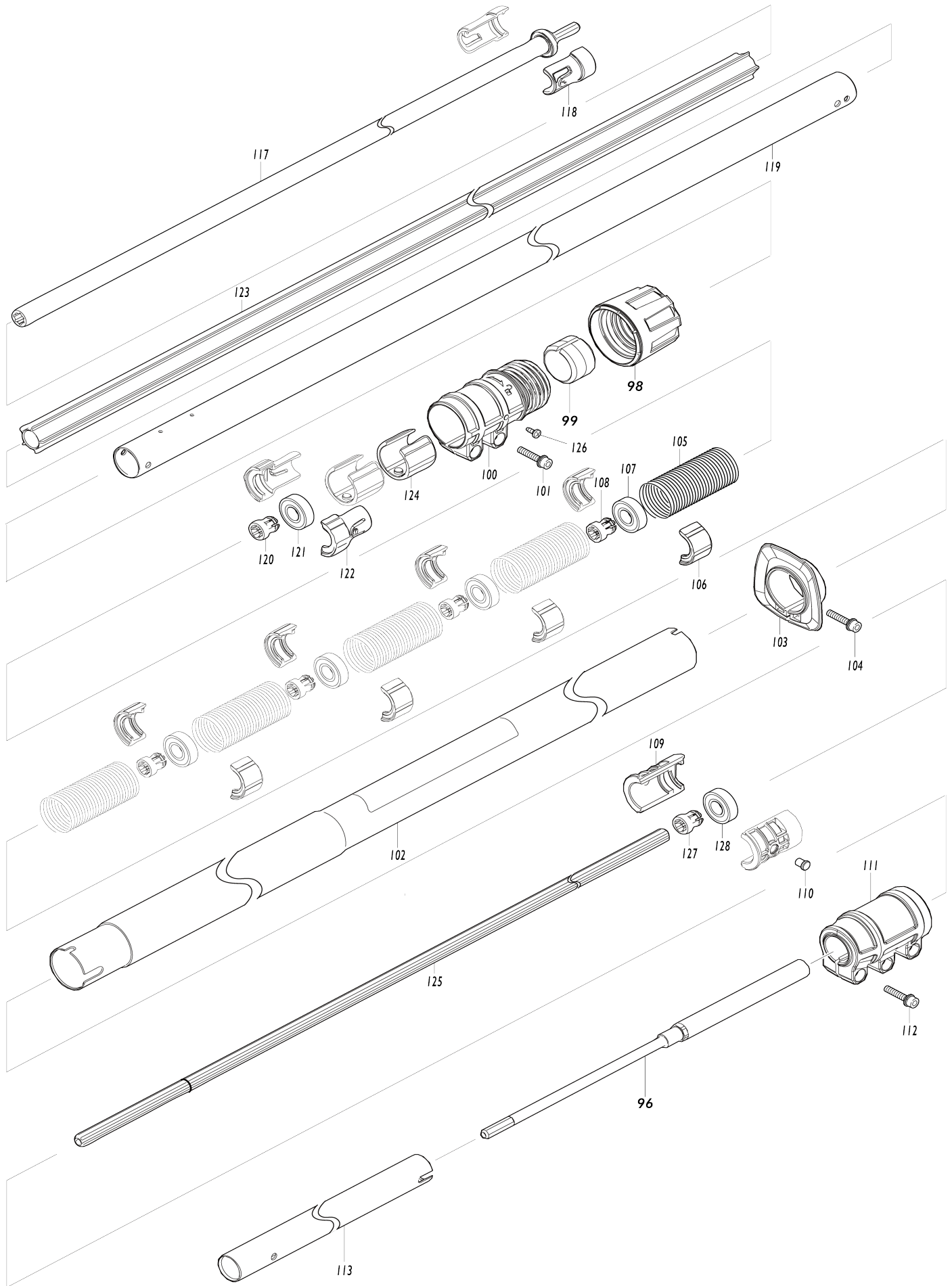
Model No.UA004G 300MM CORDLESS POLE SAW



Model No.UA004G 300MM CORDLESS POLE SAW



Model No.UA004G 300MM CORDLESS POLE SAW



Model No.UA004G 300MM CORDLESS POLE SAW

Obj. č.	Obj. č.	Popis	Možn ost zá měny	Množ ství	Nový/ Starý	Poznámka 1	Poznámka 2
001	162494-8	FLANGE NUT COMPLETE		1		matka	
002	412638-3	NUT COVER		1			
003	136373-6	SPROCKET COVER ASSY		1		kryt	
003		INC. 1,2,4-6					
004	347707-0	GUIDE PLATE L		1			
005	265954-0	tapping screw bind PT3x8		1			
006	422599-9	CHIP GUIDE		1			
007	266905-6	H.L. SOCKET HEAD BOLT M5X12		1			
008	347708-8	GUIDE PLATE R		1		veden	
009	911128-8	P.H.SCREW M4X16 WITH WR		2			
010	183P83-2	GEAR CASE HOUSING SET		1		obal p	
010		INC. 42					
011	252291-1	HEX. NUT M6		1		matka	
012	232626-2	CORNED DISK SPRING 14		2		disk	
013	347705-4	LOCK WASHER 12		1		podlo	
014	226992-7	SPROCKET 6		1		vzp	
015	347705-4	LOCK WASHER 12		1		podlo	
016	140V32-8	SPINDLE COMPLETE		1		v	
017	422602-6	GROMET		1		chr	
018	227620-7	DRIVE GEAR 14		1			
019	227634-6	STRAIGHT BEVEL GEAR 14		1		ozuben	
020	347706-2	TENSION SLIDE		1		nap	
021	327606-2	ADJUST SCREW		1		nap	
022	227496-2	ozubené kolo UC3020A=old2262 13320		1		ozuben	
023	126832-8	TANK CAP ASSEMBLY		1		v	
C10	213894-6	O-RING 25		1	*		
C11	213A11-4	O-RING 25	O	1			
024	136372-8	OIL TANK ASSEMBLY		1	*	n	
024		INC. 23,39-41			*		
024-1	137016-3	OIL TANK ASSEMBLY	<	1		n	
024-1		INC. 23,39-41					
025	266326-2	šroub 4x18=new265995-6		3			
026	136301-1	GEAR CASE ASSEMBLY		1	*	obal p	
C10	213437-4	O RING 28		1	*		
026-1	137017-1	GEAR CASE ASS'Y	<	1		sk	
C10	213437-4	O RING 28		1			
027	226995-1	SPIRAL BEVEL GEAR 18		1		ozuben	
028	211131-2	kuličkové ložisko 6001DDW =old 922041		1		lo	
029	211148-5	kuličkové ložisko 6001 ZZ		1		kuli	
030	961052-5	segrovka vnější S-12		1		segrovka	
031	962106-1	RETAINING RING R-28		1		krou	
032	211491-2	BALL BEARING 609DDW		1			
033	961005-4	segrovka S-9		1			
034	226884-0	WORM GEAR		1		p	
035	961011-9	zajišťovací kroužek		1		zaji	
036	422600-0	OIL TUBE 3-70		1		trubka	
037	140U04-7	OIL PUMP COMPLETE		1	*	olejov	

037-1	141N25-0	OIL PUMP COMPLETE	O	1		olejov	
038	911128-8	P.H.SCREW M4X16 WITH WR		1			
039	452666-6	NIPPLE		1			
040	231975-4	pružina DCS230T/UC3020A=old0 21245060		1		pru	
041	422601-8	OIL TUBE 3-14		1			
042	183P83-2	GEAR CASE HOUSING SET		1		obal p	
042		INC. 10					
043	266326-2	šroub 4x18=new265995-6		3			
044	922243-3	Hex. Socket Head Bolt M5		1			
046	922202-7	HEX. SOCKET HEAD BOLT M5X8		1			
047	183U44-2	GRIP SET		1		dr	
C10	931202-6	HEX. NUT M5		1			
047		INC. 56					
048	141H14-9	SWITCH CIRCUIT COMPLETE		1		okruh vyp	
C10	810D46-0	SWITCH LABEL		1			
049	459758-2	SWITCH LEVER		1		p	
050	233622-3	TORSION SPRING 12		1		pru	
051	650015-3	SWITCH C3JR-4B-PAND3		1		vyp	
052	632G61-0	SWITCH UNIT		1		vyp	
053	459759-0	LOCK OFF LEVER		1		p	
054	233101-1	vinutá pružina 4		1		vinut	
056	183U44-2	GRIP SET		1		dr	
C10	931202-6	HEX. NUT M5		1			
056		INC. 47					
057	922233-6	H.S.H.BOLT M5X20 WITH WR		1			
058	266326-2	šroub 4x18=new265995-6		8			
059	911233-1	šroub M5x20		4			
060	136371-0	PIPE BRACKET ASSY		1		dr	
060		INC. 63					
061	922202-7	HEX. SOCKET HEAD BOLT M5X8		1			
062	922233-6	H.S.H.BOLT M5X20 WITH WR		1			
063	263002-9	vymezovací čep 4		1			
064	127641-8	DAMPER SHAFT ASSEMBLY		1		doraz	
064		INC. 65-72					
065	327600-4	JOINT SLEEVE		1			
066	256964-8	PIN 5		1			
067	232625-4	TORSION SPRING 12		1			
068	327601-2	SPINDLE HUB		1			
069	211232-6	Ball Bearing 6002LLU		1		kuli	
070	226997-7	HELICAL GEAR 33		1			
071	253744-3	podložka 12		1		podlo	
072	211150-8	ložisko 6935FD		1			
073	183U43-4	HOUSING SET		1		obal	
C10	263005-3	vymezovací čep 6		8			
073		INC. 90					
074	266459-3	TAPPING SCREW 5X25		4			
075	136230-8	GEAR BOX ASS'Y		1		p	
075		INC. 76					
076	213961-7	O RING 22		1			
077	510470-0	ROTOR ASS'Y		1		rotor	
077		INC. 78-80					

078	226996-9	HELICAL GEAR 16		1		ozuben	
079	210005-4	kulič. ložisko 608DDW = old 2110 31-6		1		kuli	
080	210062-2	ložisko MT952		1		kuli	
081	459764-7	BAFFLE PLATE		1		deska	
082	266326-2	šroub 4x18=new265995-6		2			
083	629A97-2	STATOR		1		stator	
084	459763-9	MOTOR HOUSING		1		obal motoru	
085	347620-2	PLATE		1	*	deska	
085-1	654887-8	EARTH PLATE	O	1		deska =old 347620-2	
086	911102-6	PAN HEAD SCREW M4X6		1			
087	620H16-3	CONTROLLER		1		ovl	
088	632P49-4	TERMINAL UNIT		1		termin	
089	8114V9-3	UA004G SERIAL NO. LABEL		1			
090	183U43-4	HOUSING SET		1		obal	
C10	263005-3	vymezovací čep 6		8			
090		INC. 73					
091	266326-2	šroub 4x18=new265995-6		8			
092	8114V5-1	UA004G NAME PLATE		1			
093	413C42-7	GUARD		1		chr	
094	266326-2	šroub 4x18=new265995-6		4			
096	140V20-5	SHAFT C COMPLETE		1		dr	
C10	162823-5	SPINDLE D COMPLETE		1			
098	412631-7	LOCK RING		1		krou	
099	412632-5	LOCK SLEEVE		1		obal	
100	412630-9	LOCK SCREW		1			
C10	931202-6	HEX. NUT M5		2			
101	922243-3	Hex. Socket Head Bolt M5		2			
102	141J38-7	PIPE 38 COMPLETE		1		trubka 38 komplet	
C10	804656-7	CAUTION LABEL		1			
103	412634-1	GRIP END 38		1		dr	
104	922243-3	Hex. Socket Head Bolt M5		1			
105	232624-6	COMPRESSION SPRING 28		5		pru	
106	413312-6	DRIVE BUSH		8		veden	
107	211148-5	kuličkové ložisko 6001 ZZ		4		kuli	
108	412625-2	SLIDE BUSH		4		kluz	
109	313340-0	PIPE SLEEVE 24		2		hadi	
110	327599-3	SHOULDER PIN 6		1			
111	412629-4	PIPE JOINT		1			
112	922243-3	Hex. Socket Head Bolt M5		3			
113	140V18-2	PIPE 24 COMPLETE		1		hadi	
115	183R91-5	GEAR CASE COVER SET		1		obal p	
115		INC. 116					
116	183R91-5	GEAR CASE COVER SET		1		obal p	
116		INC. 115					
117	136393-0	SHAFT ASS'Y		1		dr	
117		INC. 125					
118	412627-8	BEARING HOUSING B		2		pouzdro lo	
119	327864-0	PIPE 28		1		trubka 28 UA004G D UA301	
120	412625-2	SLIDE BUSH		1		kluz	
121	211148-5	kuličkové ložisko 6001 ZZ		1		kuli	

122	412624-4	BEARING HOUSING A		2		pouzdro lo	
123	412623-6	LINER 15		1		dr	
124	412626-0	PIPE SLEEVE 28		2		obal hadi	
125	136393-0	SHAFT ASS'Y		1		dr	
125		INC. 117					
126	265954-0	tapping screw bind PT3x8		1			
127	412625-2	SLIDE BUSH		1		kluz	
128	211148-5	kuličkové ložisko 6001 ZZ		1		kuli	
129	688163-8	filtr		1		filtr AH3756 DCU180 DHS630 DHS710 DLM 460 DSS610 DTW190 DUH551 DUH651	
130	8032A7-2	XGT LOGO LABEL		1			
A01	191G15-1	GUIDE BAR 12 SET		1			
A02	419288-5	kryt pro UC3020/3520A		1	*		
A02-1	419288-5	kryt pro UC3020/3520A	O	1			
A03	196740-7	SAW CHAIN SET		1	*		
A03-1	191H01-8	SAW CHAIN 12 SET	O	1			
A04	782023-7	WRENCH 13-16		1			
A05	195923-6	ROUND FILE 4.5 SET		1	*		
A05-1	D-70954	FILE HOLDER SET 4.5MM(11/64")	O	1			
A07	783202-0	klíč inbus 4		1		kl	
A08	422596-5	CAP 28		2			
A09	424434-7	CAP 24		1		kryt	
A10	191K37-5	BAND ASSEMBLY SET		1			
A13	412393-7	BATTERY COVER		1			
A14	***DC40RA	DC40RA FAST CHARGER		1			
A14		COMPO-PARTS					
A15	191B26-6	BATTERY BL4040 SET		1			
E01	654781-4	CONDUCTIVE GASKET		1			
F08	191G14-3	GUIDE BAR 10 SET		1			
F09	191G15-1	GUIDE BAR 12 SET		1			
F10	191G22-4	GUIDE BAR 10 SET		1			
F11	191G23-2	GUIDE BAR 12 SET		1			
F12	191H00-0	SAW CHAIN 10 SET		1			
F13	191H01-8	SAW CHAIN 12 SET		1			
F14	191H08-4	SAW CHAIN 10 SET		1			
F15	191H10-7	SAW CHAIN 12 SET		1			
F17	195093-1	CHAIN OIL SET		1			
F18	195923-6	ROUND FILE 4.5 SET		1	*		
F18-1	D-70954	FILE HOLDER SET 4.5MM(11/64")	O	1			
F19	196205-9	SAW CHAIN SET		1	*		
F20	196206-7	SAW CHAIN SET		1	*		
F21	196740-7	SAW CHAIN SET		1	*		
F22	198457-8	CHAIN EDGER SET		1	*		
F22-1	D-70948	FILE HOLDER SET 4.0MM(5/32")	O	1			
F23	199075-5	SAW CHAIN SET		1	*		
F26	1910J6-0	ANGLED ATTACHMENT SET		1			

Prosím uveďte objednáč číslo dílu v objednávce

Datum tisku 06. 11. 2024