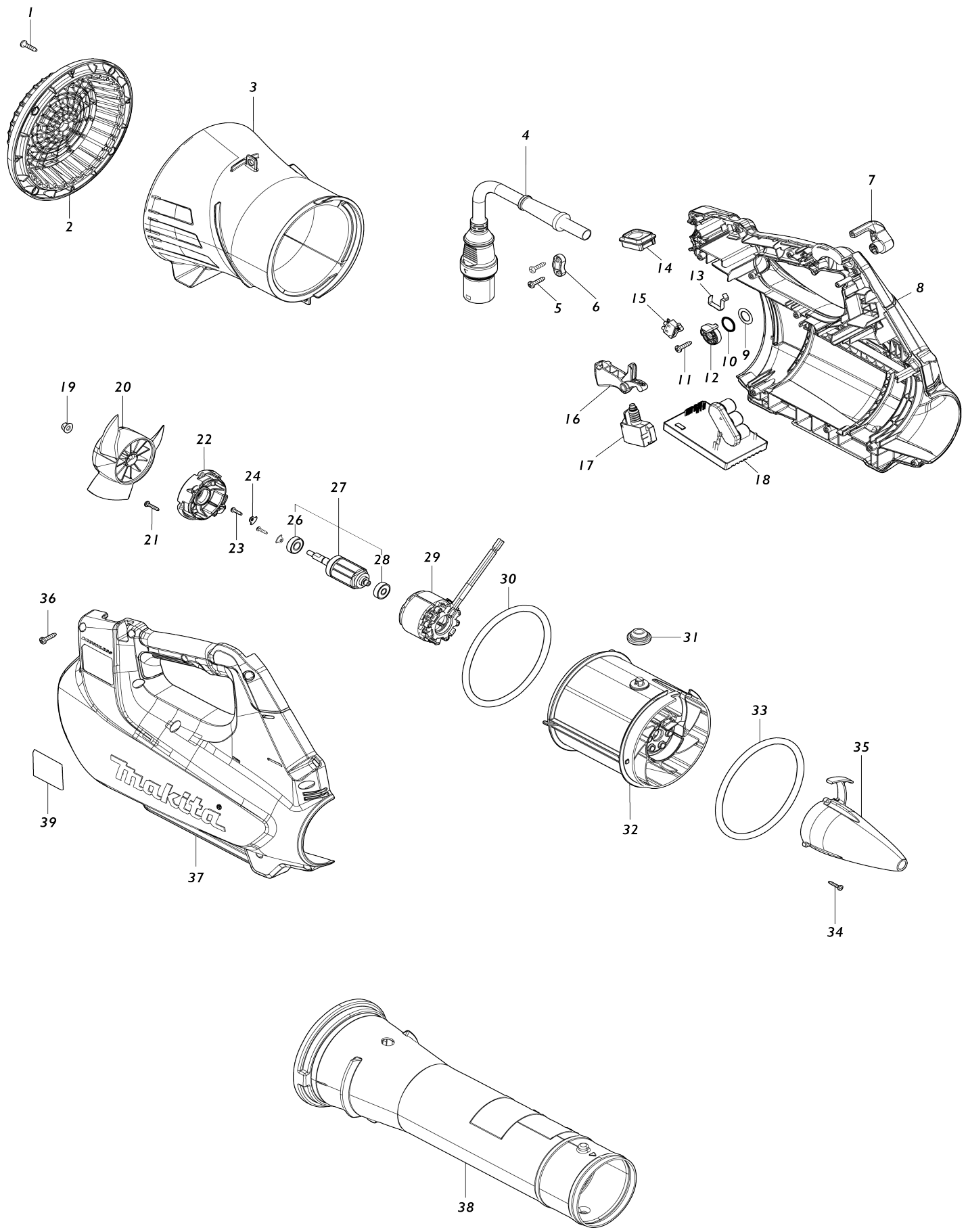


Model No.UB001C BATTERY POWERED BLOWER



Model No.UB001C BATTERY POWERED BLOWER

Obj. č.	Obj. č.	Popis	Možn ost zá měny	Množ ství	Nový/ Starý	Poznámka 1	Poznámka 2
001	266326-2	šroub 4x18=new265995-6		4			
002	412749-4	REAR COVER		1		kryt	
003	140V33-6	REAR HOUSING COMPLETE		1		obal	
004	699156-0	POWER SUPPLY CORD UNIT		1		kabel	
005	266326-2	šroub 4x18=new265995-6		2			
006	687149-9	STRAIN RELIEF		1			
007	412755-9	CONTROL LEVER		1		p	
008	183R61-4	HOUSING SET		1	*	obal	
C10	8011Y4-4	CAUTION LABEL		1	*		
008		INC. 37			*		
008-1	183R61-4	HOUSING SET	O	1		obal	
C10	8012T7-9	CAUTION LABEL	O	1			
008-1		INC. 37					
009	253798-0	podložka 13 HP2000=old341663 -6		1		podlo	
010	213154-6	o kroužek 14		1		o krou	
011	266326-2	šroub 4x18=new265995-6		1			
012	412754-1	LINK		1		spoj	
013	232634-3	LEAF SPRING		1		pru	
014	140X08-7	SWITCH CIRCUIT COMPLETE		1		okruh vyp	
C10	810D46-0	SWITCH LABEL		1			
015	632L48-2	SWITCH UNIT		1		vyp	
016	412756-7	SWITCH LEVER		1		p	
017	651436-2	SWITCH C3JW-1A-P-2		1		vyp	
018	620D15-1	CONTROLLER		1		ovl	
019	252286-4	COLLARED HEX.LOCK NUT M5-8		1		matka M5-8 DUB184 =old252103-8	
020	240177-1	FAN 110		1		v	
021	266130-9	šroub PT 3X		4			
022	412753-3	MOTOR HOUSING COVER		1		kryt mtoru	
023	265893-4	TAPPING SCREW 3X12		2			
024	347733-9	RETAINER		2		podlo	
026	210040-2	BALL BEARING 698LLU		1			
027	519639-3	ROTOR ASS'Y		1	*	rotor	
027		INC. 26,28			*		
027-1	519639-3	ROTOR ASS'Y	O	1		rotor	
027-1		INC. 26,28					
028	210022-4	kuličkové ložisko 626 DDW		1			
029	629A15-0	STATOR		1	*	stator	
029-1	629B61-9	STATOR	S	1		stator =old 629A60-5	
030	424721-4	RUBBER RING 115		1		gumov	
031	424194-1	RUBBER RING 8		1			
032	412751-7	MOTOR HOUSING		1		obal motor	
033	424721-4	RUBBER RING 115		1		gumov	
034	266130-9	šroub PT 3X		3			
035	412752-5	CAP		1		v	
036	266326-2	šroub 4x18=new265995-6		12			
037	183R61-4	HOUSING SET		1	*	obal	
C10	8011Y4-4	CAUTION LABEL		1	*		

037		INC. 8			*		
037-1	183R61-4	HOUSING SET	O	1		obal	
C10	8012T7-9	CAUTION LABEL	O	1			
037-1		INC. 8					
038	412757-5	FRONT PIPE		1		p	
039	857M75-6	UB001C NAME PLATE		1			
040	422734-9	SPONGE		1		guma	
041	620K74-7	CONTROLLER B	S	1		elektronika	
042	638A36-1	LEAD UNIT	S	1			
043	652119-7	PAN HEAD SCREW M2X6	S	6			
A01	191L94-9	BAND ASSEMBLY SET		1	*		
A01-1	191J48-4	BAND ASSEMBLY SET	O	1			
A02	412758-3	END NOZZLE 80		1	*		
A02-1	191P97-7	END NOZZLE 80 SET	O	1			
E01	800A17-7	SOUND 94DB LABEL		1	*		
E01-1	807949-3	SOUND 94DB LABEL	<	1			
F01	191B03-8	GUTTER NOZZLE SET		1			
C10	162790-4	END NOZZLE COMPLETE		1			
C20	281030-2	HOSE CLAMP 75-90		2			
C30	281031-0	HOSE CLAMP 85-100		1			
C40	459816-4	EXTENSION PIPE 72		3			
F03	191L96-5	ADAPTER PIPE 85-72 SET		1			
F04	197889-6	FLAT NOZZLE SET		1		hubice ploch	

Prosím uveďte objednáč. číslo dílu v objednávce

Datum tisku 06. 11. 2024