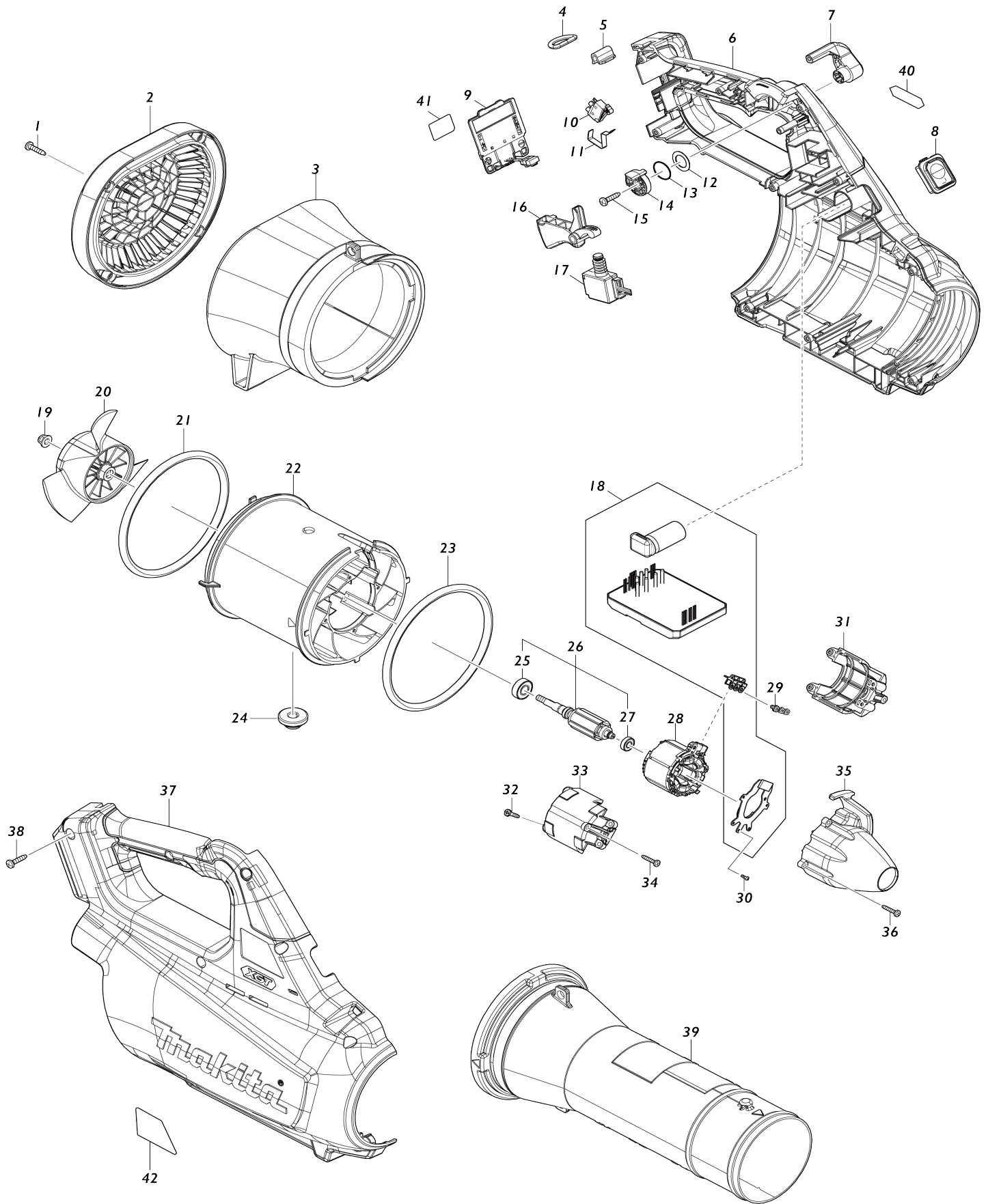


Model No.UB001G CORDLESS BLOWER



Model No.UB001G CORDLESS BLOWER

Obj. č.	Obj. č.	Popis	Možn ost zá měny	Množ ství	Nový/ Starý	Poznámka 1	Poznámka 2
001	266326-2	šroub 4x18=new265995-6		4			
002	413368-9	REAR COVER		1	*	kryt STOP	
003	140Y68-5	REAR HOUSING COMPLETE		1	*	obal=new122C63-5	
C10	422668-6	SPONGE		4	*		
003-1	122C63-5	REAR HOUSING ASSEMBLY	S	1		obal = old 122C63-5	
C10	422668-6	SPONGE		4			
003-1		INC. 1					
004	327742-4	D RING 20		1		krou	
005	347783-4	RING SUPPORT		1		podp	
006	183T07-2	HOUSING SET		1	*	obal	
C10	263005-3	vymezovací čep 6		2	*		
C20	8011Y4-4	CAUTION LABEL		1	*		
006		INC. 37			*		
006-1	1831D3-4	HOUSING SET	O	1			
C10	263005-3	vymezovací čep 6		2			
C20	8012T7-9	CAUTION LABEL	O	1			
006-1		INC. 37					
007	412755-9	CONTROL LEVER		1		p	
008	140X08-7	SWITCH CIRCUIT COMPLETE		1		okruh vyp	
C10	810D46-0	SWITCH LABEL		1			
009	632P65-6	TERMINAL UNIT		1		termin	
010	632L48-2	SWITCH UNIT		1		vyp	
011	232634-3	LEAF SPRING		1		pru	
012	253798-0	podložka 13 HP2000=old341663-6		1		podlo	
013	213154-6	o kroužek 14		1		o krou	
014	412754-1	LINK		1		spoj	
015	266326-2	šroub 4x18=new265995-6		1			
016	412756-7	SWITCH LEVER		1		p	
017	651496-4	SWITCH C3JR-1AT-PAXD3		1		vyp	
018	620E14-9	CONTROLLER		1		ovl	
019	252286-4	COLLARED HEX.LOCK NUT M5-8		1		matka M5-8 DUB184=old252103-8	
020	240177-1	FAN 110		1		v	
021	424721-4	RUBBER RING 115		1		gumov	
022	413366-3	FAN HOUSING		1		obal vrtule	
023	424721-4	RUBBER RING 115		1		gumov	
024	424194-1	RUBBER RING 8		1			
025	210040-2	BALL BEARING 698LLU		1			
026	519580-0	ROTOR ASSY		1		rotor DUB184	
026		INC. 25,27					
027	211157-4	BALL BEARING 695ZZ		1		lo	
028	629A49-3	STATOR		1		stator	
029	652069-6	FLAT HEAD SCREW M3X6		3			
030	266490-9	TAPPING SCREW PT 2X6		3			
031	183M64-8	MOTOR HOUSING SET		1		obal motoru	
031		INC. 33					
032	266130-9	šroub PT 3X		4	*		
032-1	266429-2	TAPPING SCREW 3X16	O	4			

033	183M64-8	MOTOR HOUSING SET		1		obal motoru	
033		INC. 31					
034	266130-9	šroub PT 3X		2	*		
034-1	266429-2	TAPPING SCREW 3X16	O	2			
035	413365-5	CAP		1		v	
036	266130-9	šroub PT 3X		4	*		
036-1	266429-2	TAPPING SCREW 3X16	O	4			
037	183T07-2	HOUSING SET		1	*	obal	
C10	263005-3	vymezovací čep 6		2	*		
C20	8011Y4-4	CAUTION LABEL		1	*		
037		INC. 6			*		
037-1	1831D3-4	HOUSING SET	O	1			
C10	263005-3	vymezovací čep 6		2			
C20	8012T7-9	CAUTION LABEL	O	1			
037-1		INC. 6					
038	266326-2	šroub 4x18=new265995-6		10			
039	413367-1	FRONT PIPE		1		p	
040	8030S0-0	XGT LOGO LABEL		1			
041	811D71-4	UB001G SERIAL NO. LABEL		1			
042	811D64-1	UB001G NAME PLATE		1			
A01	166094-6	SHOULDER BELT		1			
A02	412758-3	END NOZZLE 80		1	*		
A02-1	191P97-7	END NOZZLE 80 SET	O	1			
A03	191L96-5	ADAPTER PIPE 85-72 SET		1			
A04	183P97-1	EXTENSION NOZZLE SET		1	*		
A04-1	197888-8	EXTENSION NOZZLE SET	O	1			
A05	183P98-9	FLAT NOZZLE SET		1	*	tryska	
A05-1	197889-6	FLAT NOZZLE SET	O	1		hubice ploch	
A06	***DC40RA	DC40RA FAST CHARGER		1			
A06		COMPO-PARTS					
A07	412393-7	BATTERY COVER		1	*		
A08	191B26-6	BATTERY BL4040 SET		1			
E01	8031T1-1	SOUND LABEL		1			
F02	191B03-8	GUTTER NOZZLE SET		1			
F03	191L96-5	ADAPTER PIPE 85-72 SET		1			
F05	197888-8	EXTENSION NOZZLE SET		1			
F06	197889-6	FLAT NOZZLE SET		1		hubice ploch	

Prosím uveďte objednávací číslo dílu v objednávce

Datum tisku 06. 11. 2024