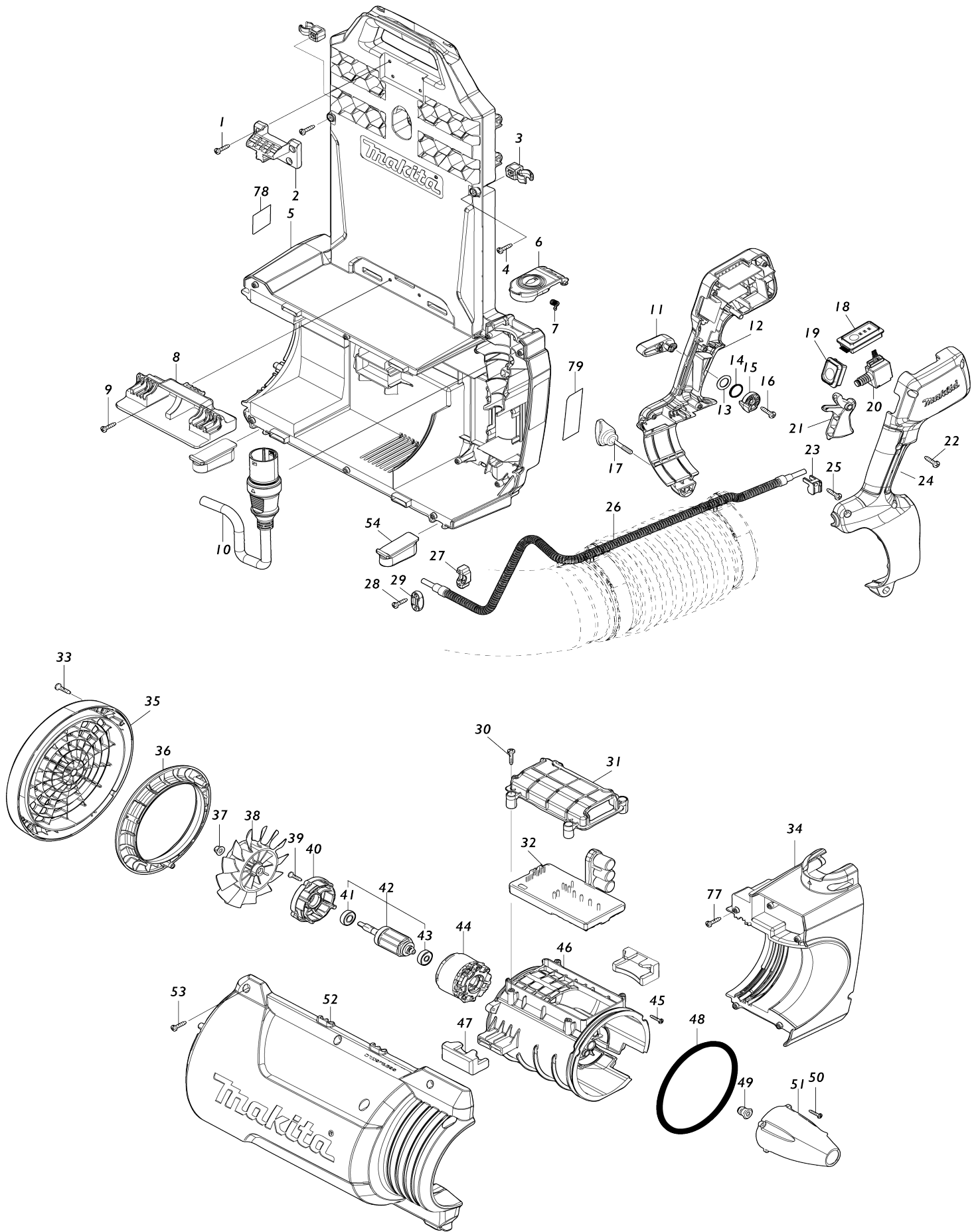
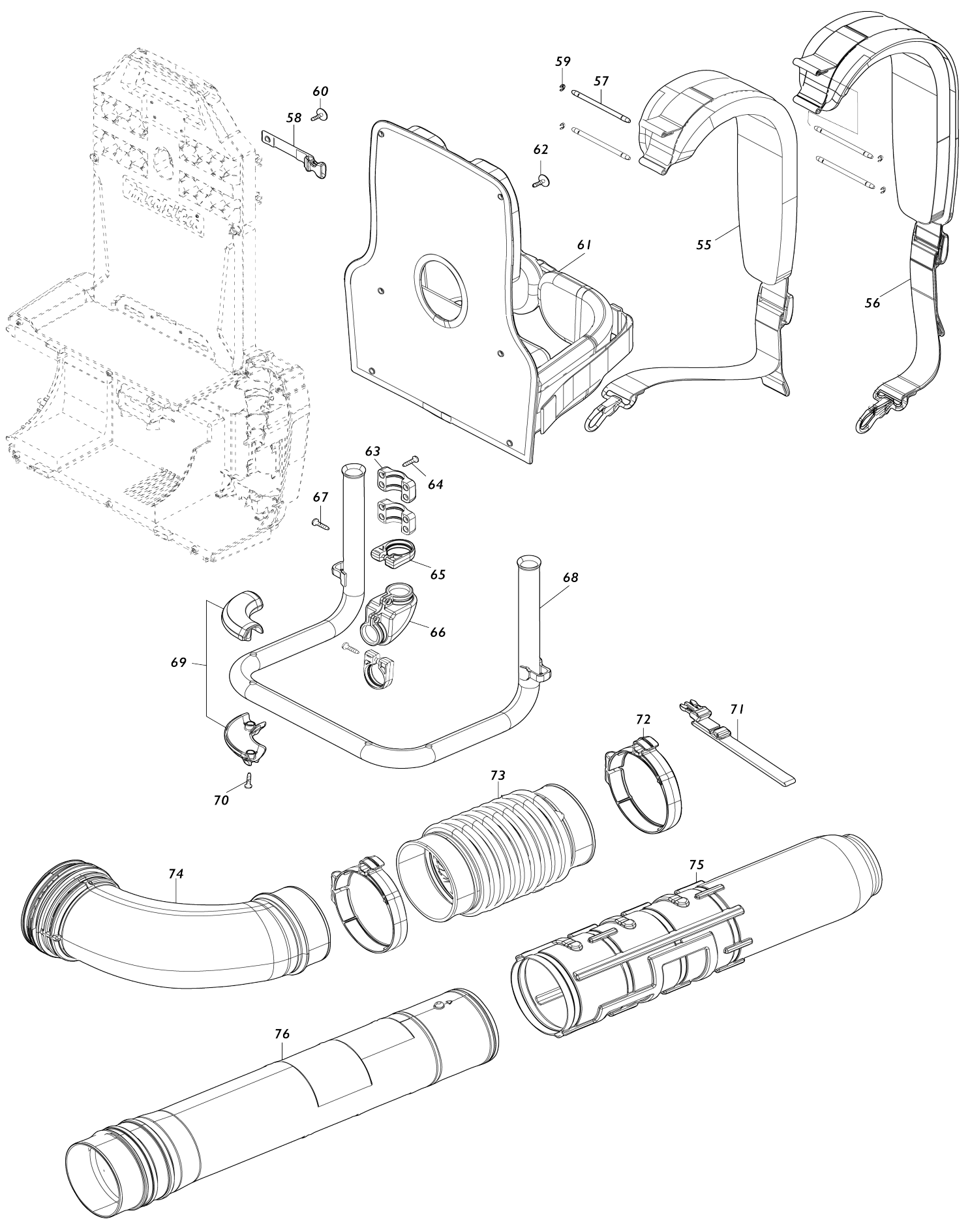


# Model No.UB002C BATTERY POWERED BLOWER



# Model No.UB002C BATTERY POWERED BLOWER



**Model No.UB002C BATTERY POWERED BLOWER**

Obj. č.	Obj. č.	Popis	Možn ost zá měny	Množ ství	Nový/ Starý	Poznámka 1	Poznámka 2
001	266326-2	šroub 4x18=new265995-6		4			
002	413G75-6	UPPER HOLDER		1		horn	
003	413613-2	HOLDER		2		dr	
004	266326-2	šroub 4x18=new265995-6		2			
005	141J75-1	FRAME COMPLETE		1		r	
006	413G74-8	CONNECTOR COVER		1		kryt konektoru	
007	232681-4	TORSION SPRING 4		1		pru	
008	413G65-9	BOTTOM HOLDER		1		spodn	
009	266326-2	šroub 4x18=new265995-6		2			
010	699202-9	POWER SUPPLY CORD UNIT		1		kabel	
011	413G66-7	CONTROL LEVER		1		p	
012	183W35-5	LEVER CASE SET		1		sada p	
C10	252103-8	zajišťovací šroub M5-8		1			
012		INC. 24					
013	253798-0	podložka 13 HP2000=old341663-6		1		podlo	
014	213154-6	o kroužek 14		1		o krou	
015	412754-1	LINK		1		spoj	
016	266326-2	šroub 4x18=new265995-6		1			
017	265C61-7	THUMB SCREW M5X35		1			
018	620J51-3	SWITCH CIRCUIT COMPLETE		1		sp	
019	140X08-7	SWITCH CIRCUIT COMPLETE		1		okruh vyp	
C10	810D46-0	SWITCH LABEL		1			
020	651492-2	SWITCH C3JR-1A-PAXD3		1		vyp	
021	413G68-3	SWITCH LEVER		1		p	
022	266326-2	šroub 4x18=new265995-6		6			
023	687260-7	držák kabelu GA5020/6020/HR2230		1		dr	
024	183W35-5	LEVER CASE SET		1		sada p	
C10	252103-8	zajišťovací šroub M5-8		1			
024		INC. 12					
025	266326-2	šroub 4x18=new265995-6		1			
026	699203-7	POWER SUPPLY CORD UNIT		1		kabel	
027	687051-6	svorka kabelu - nahrazuje 261041		1		svorka kabelu - nahrazuje 261041	
028	266326-2	šroub 4x18=new265995-6		2			
029	687124-5	držák kabelu		1		dr	
030	266326-2	šroub 4x18=new265995-6		4			
031	413G73-0	CONTROLLER CASE COVER		1		kryt pouzdra ovlada	
032	620K47-0	CONTROLLER COMPLETE		1	*	ovlada	
032-1	620P25-0	CONTROLLER COMPLETE	<	1		ovlada	
033	266326-2	šroub 4x18=new265995-6		4			
034	141J78-5	CORD COVER COMPLETE		1	*	kryt	
C10	8011Y4-4	CAUTION LABEL		1	*		
034-1	141J78-5	CORD COVER COMPLETE	O	1		kryt	
C10	8012T7-9	CAUTION LABEL	O	1			
035	413G61-7	REAR COVER		1		zadn	
036	413G72-2	FAN GUIDE		1		veden	
037	252286-4	COLLARED HEX.LOCK NUT M5-8		1		matka M5-8 DUB184	

					=old252103-8	
038	240237-9	FAN 110		1		ventil
039	266130-9	šroub PT 3X		4		
040	413G67-5	MOTOR HOUSING COVER		1		kryt sk
041	210040-2	BALL BEARING 698LLU		1		
042	519639-3	ROTOR ASS'Y		1	*	rotor
042		INC. 41,43			*	
042-1	519639-3	ROTOR ASS'Y	O	1		rotor
042-1		INC. 41,43				
043	210022-4	kuličkové ložisko 626 DDW		1		
044	629B90-2	STATOR COMPLETE		1		stator kompletn
045	266130-9	šroub PT 3X		3		
046	413G60-9	MOTOR HOUSING		1		sk
047	422877-7	RUBBER CUSHION		2		pry
048	424721-4	RUBBER RING 115		1		gumov
049	422879-3	GROMMET		1		pr
050	266130-9	šroub PT 3X		3		
051	413G64-1	CAP		1		v
052	141J76-9	HOUSING COMPLETE		1		obal
053	266326-2	šroub 4x18=new265995-6		10		
054	422878-5	RUBBER CUSHION		2		pry
055	161509-8	BAND L		1	*	
055-1	162D39-6	BAND L	<	1		
056	161510-3	BAND R		1	*	
056-1	162D38-8	BAND R	<	1		
057	256A28-4	ROD 5		4		ty
058	162B59-8	BAND A COMPLETE		1		p
059	961011-9	zajišťovací kroužek		4		zaji
060	252274-1	TAPPING SCREW 4X18 WITH W		1		
061	162B58-0	CUSHION COMPLETE		1	*	pol
061-1	162D10-0	CUSHION COMPLETE	O	1		pol
062	252274-1	TAPPING SCREW 4X18 WITH W		6		
063	413G76-4	PIPE FRAME COVER		4		kryt r
064	266326-2	šroub 4x18=new265995-6		8		
065	413K11-6	RUBBER CLAMP		4		gumov
066	422917-1	FOOT HOUSING RUBBER		2		gumov
067	266326-2	šroub 4x18=new265995-6		4		
068	162B57-2	PIPE FRAME COMPLETE		1		r
069	183W34-7	FOOT HOUSING SET		2		krytka cpl.
070	266326-2	šroub 4x18=new265995-6		4		
071	162B60-3	BAND B COMPLETE		1		p
072	122C31-8	HOSE CLAMP 110 ASSEMBLY		2		svorka
C10	252103-8	zajišťovací šroub M5-8		1		
C20	911243-8	šroub M5x25		1	*	
C21	911253-5	šroub M5x30	O	1		
073	413G69-1	FLEXIBLE PIPE 100		1		flexibiln
074	413G71-4	ELBOW		1		koleno
075	413G70-6	END NOZZLE 82		1		koncov
076	162B56-4	SWIVEL PIPE COMPLETE		1		oto
077	266326-2	šroub 4x18=new265995-6		5		
078	801277-8	SOUND 103DB LABEL		1		
079	858T78-5	UB002C NAME PLATE		1		

A01	1910M7-9	ADAPTER PIPE 104-72 SET		1			
A02	197889-6	FLAT NOZZLE SET		1		hubice ploch	
F01	1910M7-9	ADAPTER PIPE 104-72 SET		1			
F02	196733-4	BAND 25 SET		1			
F03	197888-8	EXTENSION NOZZLE SET		1			
F04	197889-6	FLAT NOZZLE SET		1		hubice ploch	

Prosím uveďte objednáací číslo dílu v objednávce

Datum tisku 06. 11. 2024