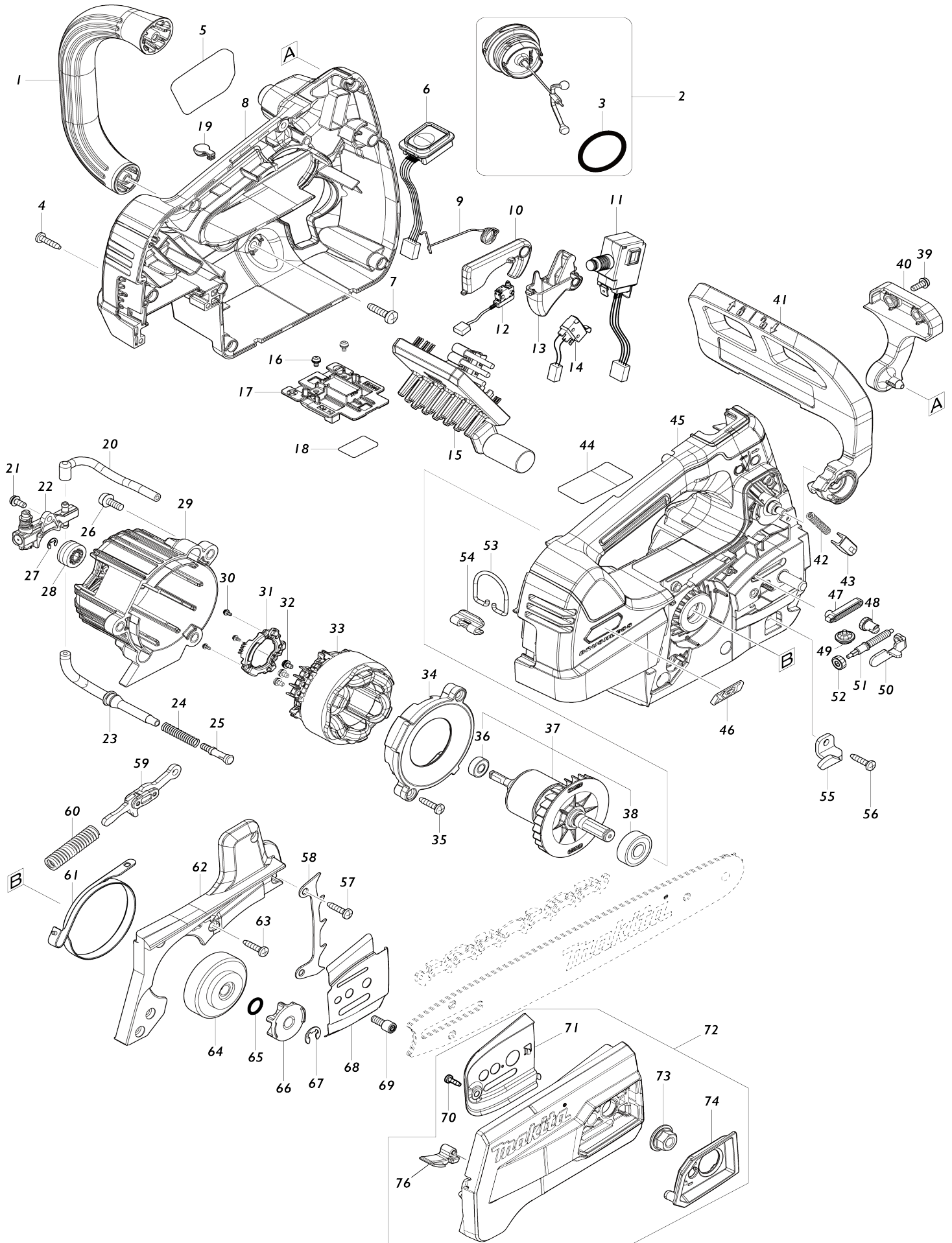


Model No. UC002G CORDLESS CHAIN SAW 115MM



Model No.UC002G CORDLESS CHAIN SAW 115MM

| Obj. č. | Obj. č. | Popis | Možn ost zá měny | Množ ství | Nový/ Starý | Poznámka 1 | Poznámka 2 |
|---------|----------|--|------------------------|--------------|----------------|-------------|------------|
| 001 | 413979-0 | FRONT HANDLE | | 1 | | p | |
| 002 | 122A77-2 | TANK CAP ASSEMBLY | | 1 | | v | |
| 002 | | INC. 3 | | | | | |
| 003 | 213080-9 | O RING 29.5 | | 1 | | | |
| 004 | 266326-2 | šroub 4x18=new265995-6 | | 8 | | | |
| 005 | 8041P2-4 | UC002G MODEL NO. LABEL | | 1 | | | |
| 006 | 141G07-0 | SWITCH CIRCUIT COMPLETE | | 1 | | sp | |
| C10 | 810D46-0 | SWITCH LABEL | | 1 | | | |
| 007 | 266420-0 | TAPPING SCREW 5X20 | | 2 | * | | |
| 007-1 | 265C57-8 | TAPPING SCREW 5X20 | O | 2 | | | |
| 008 | 183U56-5 | HOUSING SET | | 1 | * | obal | |
| C10 | 263005-3 | vymezovací čep 6 | | 2 | * | | |
| 008 | | INC. 19,45 | | | * | | |
| 008-1 | 1831C9-5 | HOUSING SET | S | 1 | | | |
| C10 | 263005-3 | vymezovací čep 6 | | 2 | | | |
| 008-1 | | INC. 19,45 | | | | | |
| 009 | 232713-7 | TORSION SPRING 10 | | 1 | * | pru | |
| 009-1 | 232867-0 | TORSION SPRING 10 | S | 1 | | | |
| 010 | 413987-1 | CATCH LEVER | | 1 | * | p | |
| 010-1 | 141V70-3 | LOCK OFF LEVER COMPLETE | S | 1 | | | |
| 011 | 650011-1 | SWITCH C3JR-4BM-PAND3 | | 1 | | sp | |
| 012 | 632L49-0 | SWITCH UNIT | | 1 | * | vyp | |
| 013 | 459282-5 | SWITCH LEVER | | 1 | | | |
| 014 | 632L48-2 | SWITCH UNIT | | 1 | | vyp | |
| 015 | 620F70-5 | CONTROLLER | | 1 | * | ovl | |
| C10 | 688131-1 | filtr MT240/HM1801/1810/HR24= old688106-0 | | 2 | * | filtr | |
| 015-1 | 620P50-1 | CONTROLLER | S | 1 | | | |
| C11 | 688131-1 | filtr MT240/HM1801/1810/HR24= old688106-0 | O | 2 | | filtr | |
| 016 | 652031-1 | PAN HEAD SCREW M3X6 | | 2 | | | |
| 017 | 632S63-8 | TERMINAL UNIT | | 1 | | svorkovnice | |
| 018 | 8110T7-9 | UC002G SERIAL NO. LABEL | | 1 | | | |
| 019 | 422467-6 | CAP | | 1 | | v | |
| 020 | 422764-0 | OIL TUBE 3-85 | | 1 | | hadi | |
| 021 | 911113-1 | šroub M4x10 | | 1 | | | |
| 022 | 142156-4 | OIL PUMP COMPLETE | | 1 | | olejov | |
| 023 | 422765-8 | OIL TUBE 3-109 | | 1 | | hadi | |
| 024 | 231975-4 | pružina DCS230T/UC3020A=old0 21245060 | | 1 | | pru | |
| 025 | 452666-6 | NIPPLE | | 1 | | | |
| 026 | 911218-7 | Pan Head Screw M5x14=new922 217-4 | | 3 | | | |
| 027 | 961011-9 | zajišťovací kroužek | | 1 | | zaji | |
| 028 | 226884-0 | WORM GEAR | | 1 | | p | |
| 029 | 413904-1 | MOTOR HOUSING | | 1 | | obal motoru | |
| 030 | 652093-9 | PAN HEAD SCREW M2X5 | | 3 | * | | |
| 030-1 | 652119-7 | PAN HEAD SCREW M2X6 | O | 3 | | | |
| 031 | 620F73-9 | SENSOR UNIT | | 1 | | senzor | |

| | | | | | | |
|-------|----------|---------------------------------------|---|---|---|---|
| 032 | 652069-6 | FLAT HEAD SCREW M3X6 | | 3 | | |
| 033 | 629A85-9 | STATOR | | 1 | | stator |
| 034 | 413980-5 | BAFFLE PLATE | | 1 | * | deska=new413V76-4 |
| 034-1 | 413V76-4 | BAFFLE PLATE | < | 1 | | deska |
| 035 | 266326-2 | šroub 4x18=new265995-6 | | 2 | | |
| 036 | 210026-6 | kuličkové ložisko 696ZZ =old 210006-2 | | 1 | | kuli |
| 037 | 519710-3 | ROTOR ASSY | | 1 | | rotor |
| 037 | | INC. 36,38 | | | | |
| 038 | 210059-1 | BALL BEARING 6000DDW | | 1 | | |
| 039 | 911118-1 | šroub M4x12 | | 2 | | |
| 040 | 413907-5 | FRONT HAND GUARD RETAINER | | 1 | | chr |
| 041 | 141E58-1 | FRONT HAND GUARD COMPLETE | | 1 | | chr |
| C10 | 8042N8-4 | CAUTION LABEL | | 1 | | |
| 042 | 232714-5 | COMPRESSION SPRING 3 | | 1 | | pru |
| 043 | 313212-9 | HAND GUARD GUIDE | | 1 | | d |
| 044 | 8110T4-5 | UC002G NAME PLATE | | 1 | | |
| 045 | 183U56-5 | HOUSING SET | | 1 | * | obal |
| C10 | 263005-3 | vymezovací čep 6 | | 2 | * | |
| 045 | | INC. 8,19 | | | * | |
| 045-1 | 1831C9-5 | HOUSING SET | S | 1 | | |
| C10 | 263005-3 | vymezovací čep 6 | | 2 | | |
| 045-1 | | INC. 8,19 | | | | |
| 046 | 8012U4-2 | XGT LOGO LABEL | | 1 | | |
| 047 | 422466-8 | GROMET | | 1 | | pr |
| 048 | 227620-7 | DRIVE GEAR 14 | | 1 | | |
| 049 | 227634-6 | STRAIGHT BEVEL GEAR 14 | | 1 | | ozuben |
| 050 | 347517-5 | TENSION SLIDE | | 1 | | nap |
| 051 | 327317-9 | ADJUST SCREW | | 1 | | se |
| 052 | 227496-2 | ozubené kolo UC3020A=old226213320 | | 1 | | ozuben |
| 053 | 281222-3 | HOOK | | 1 | | h |
| 054 | 347514-1 | HOOK SUPPORT | | 1 | * | zav |
| 054-1 | 347D19-5 | HOOK SUPPORT | S | 1 | | |
| 055 | 347516-7 | CHAIN CATCHER | | 1 | | kryt |
| 056 | 266326-2 | šroub 4x18=new265995-6 | | 1 | | |
| 057 | 266326-2 | šroub 4x18=new265995-6 | | 2 | | |
| 058 | 346809-9 | SPIKE BUMPER | | 1 | | zubov |
| 059 | 141E60-4 | LINK PLATE COMPLETE | | 1 | | deska |
| 060 | 232452-9 | COMPRESSION SPRING 7 | | 1 | | pru |
| 061 | 347864-4 | BRAKE BAND | | 1 | | p |
| 062 | 413981-3 | HOUSING R COVER | | 1 | | kryt sk |
| 063 | 266326-2 | šroub 4x18=new265995-6 | | 5 | | |
| 064 | 162979-4 | BRAKE DRUM | | 1 | | brzdov |
| 065 | 213060-5 | O RING 10 | | 1 | | o-krou |
| 066 | 191V90-7 | SPROCKET 6 SET | | 1 | | |
| 066 | 191V91-5 | SPROCKET 7 SET | | 1 | | |
| 067 | 961013-5 | zajišťovací kroužek | | 1 | | zaji |
| 068 | 347533-7 | GUIDE PLATE L | | 1 | | deska |
| 069 | 266905-6 | H.L. SOCKET HEAD BOLT M5X12 | | 1 | | |
| 070 | 266007-8 | Tapping Screw Bind PT3x1=old320266007 | | 1 | | Tapping Screw Bind P T3x1=old320266007 |
| | | | | | | |

| | | | | | | | |
|-------|-----------|-------------------------------|---|---|---|-------|--|
| 071 | 347534-5 | GUIDE PLATE R | | 1 | | deska | |
| 072 | 136573-8 | SPROCKET COVER ASS'Y | | 1 | | kryt | |
| 072 | | INC. 70,71,73,74,76 | | | | | |
| 073 | 162494-8 | FLANGE NUT COMPLETE | | 1 | | matka | |
| 074 | 413986-3 | NUT COVER | | 1 | | | |
| 076 | 422310-9 | CHIP GUIDE | | 1 | | veden | |
| 077 | 324616-0 | HOSE CLAMP | | 1 | | spona | |
| A01 | 168408-5 | lišta 25cm Makita (DCS230T) | | 1 | | | |
| A01 | 191T85-8 | GUIDE BAR 10 SET | | 1 | | | |
| A02 | 458501-6 | GUIDE BAR CASE | | 1 | * | | |
| A02-1 | 458501-6 | GUIDE BAR CASE | O | 1 | | | |
| A04 | 196205-9 | SAW CHAIN SET | | 1 | * | | |
| A04 | 191T89-0 | SAW CHAIN 10 SET | | 1 | | | |
| A04-1 | 191H08-4 | SAW CHAIN 10 SET | O | 1 | | | |
| A05 | 782023-7 | WRENCH 13-16 | | 1 | | | |
| A07 | 412393-7 | BATTERY COVER | | 1 | | | |
| A08 | ***DC40RA | DC40RA FAST CHARGER | | 1 | | | |
| A08 | | COMPO-PARTS | | | | | |
| A09 | 191B26-6 | BATTERY BL4040 SET | | 1 | | | |
| E01 | 8039U0-8 | CAUTION TAG | | 1 | | | |
| E01 | 8032W7-6 | CAUTION TAG | | 1 | | | |
| E02 | 8040V6-2 | SOUND LABEL | | 1 | | | |
| F02 | 191H00-0 | SAW CHAIN 10 SET | | 1 | | | |
| F03 | 191H08-4 | SAW CHAIN 10 SET | | 1 | | | |
| F04 | 191V90-7 | SPROCKET 6 SET | | 1 | | | |
| F06 | 195093-1 | CHAIN OIL SET | | 1 | | | |
| F07 | 195923-6 | ROUND FILE 4.5 SET | | 1 | * | | |
| F07-1 | D-70954 | FILE HOLDER SET 4.5MM(11/64") | O | 1 | | | |
| F08 | 196205-9 | SAW CHAIN SET | | 1 | * | | |
| F09 | 198457-8 | CHAIN EDGER SET | | 1 | * | | |
| F09-1 | D-70948 | FILE HOLDER SET 4.0MM(5/32") | O | 1 | | | |
| F10 | 199075-5 | SAW CHAIN SET | | 1 | * | | |

Prosím uveďte objednáací číslo dílu v objednávce

Datum tisku 06. 11. 2024