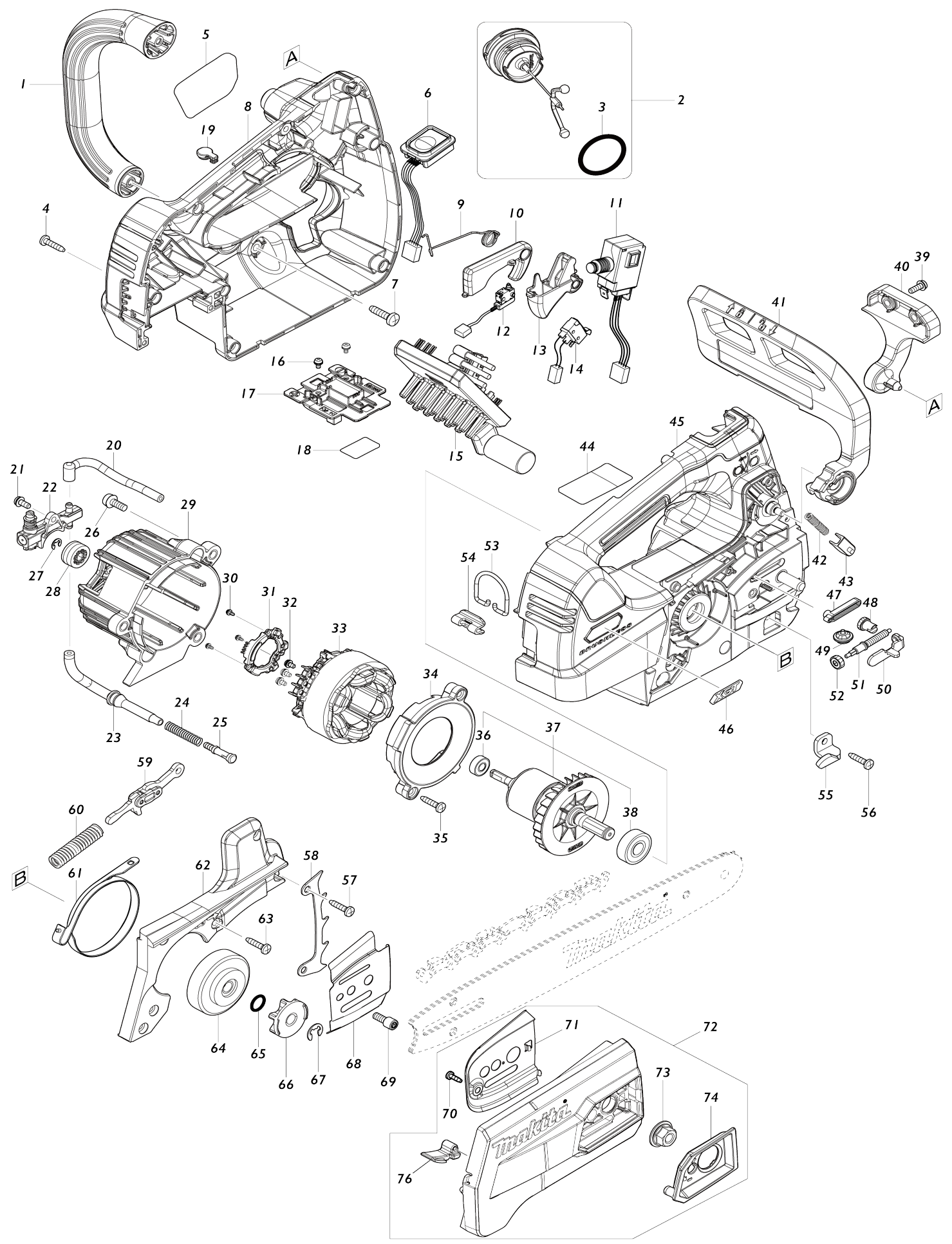


# Model No. UC006G 250MM CORDLESS CHAIN SAW



**Model No.UC006G 250MM CORDLESS CHAIN SAW**

Obj. č.	Obj. č.	Popis	Možn ost zá měny	Množ ství	Nový/ Starý	Poznámka 1	Poznámka 2
001	413979-0	FRONT HANDLE		1		p	
002	122A77-2	TANK CAP ASSEMBLY		1		v	
002		INC. 3					
003	213080-9	O RING 29.5		1			
004	266326-2	šroub 4x18=new265995-6		8			
005	8041P6-6	UC006G MODEL NO. LABEL		1			
006	141G07-0	SWITCH CIRCUIT COMPLETE		1		sp	
C10	810D46-0	SWITCH LABEL		1			
007	266420-0	TAPPING SCREW 5X20		2	*		
007-1	265C57-8	TAPPING SCREW 5X20	O	2			
008	183U56-5	HOUSING SET		1	*	obal	
C10	263005-3	vymezovací čep 6		2	*		
008		INC. 19,45			*		
008-1	1831C9-5	HOUSING SET	S	1			
C10	263005-3	vymezovací čep 6		2			
008-1		INC. 19,45					
009	232713-7	TORSION SPRING 10		1	*	pru	
009-1	232867-0	TORSION SPRING 10	S	1			
010	413987-1	CATCH LEVER		1	*	p	
010-1	141V70-3	LOCK OFF LEVER COMPLETE	S	1			
011	650011-1	SWITCH C3JR-4BM-PAND3		1		sp	
012	632L49-0	SWITCH UNIT		1	*	vyp	
013	459282-5	SWITCH LEVER		1			
014	632L48-2	SWITCH UNIT		1		vyp	
015	620F70-5	CONTROLLER		1	*	ovl	
C10	688131-1	filtr MT240/HM1801/1810/HR24= old688106-0		2	*	filtr	
015-1	620P50-1	CONTROLLER	S	1			
C11	688131-1	filtr MT240/HM1801/1810/HR24= old688106-0	O	2		filtr	
016	652031-1	PAN HEAD SCREW M3X6		2			
017	632S63-8	TERMINAL UNIT		1		svorkovnice	
018	8110Y2-4	UC006G SERIAL NO. LABEL		1			
019	422467-6	CAP		1		v	
020	422764-0	OIL TUBE 3-85		1		hadi	
021	911113-1	šroub M4x10		1			
022	142156-4	OIL PUMP COMPLETE		1		olejov	
023	422765-8	OIL TUBE 3-109		1		hadi	
024	231975-4	pružina DCS230T/UC3020A=old0 21245060		1		pru	
025	452666-6	NIPPLE		1			
026	911218-7	Pan Head Screw M5x14=new922 217-4		3			
027	961011-9	zajišťovací kroužek		1		zaji	
028	226884-0	WORM GEAR		1		p	
029	413904-1	MOTOR HOUSING		1		obal motoru	
030	652093-9	PAN HEAD SCREW M2X5		3	*		
030-1	652119-7	PAN HEAD SCREW M2X6	O	3			
031	620F73-9	SENSOR UNIT		1		senzor	

032	652069-6	FLAT HEAD SCREW M3X6		3		
033	629A85-9	STATOR		1		stator
034	413980-5	BAFFLE PLATE		1	*	deska=new413V76-4
034-1	413V76-4	BAFFLE PLATE	<	1		deska
035	266326-2	šroub 4x18=new265995-6		2		
036	210026-6	kuličkové ložisko 696ZZ =old 210006-2		1		kuli
037	519710-3	ROTOR ASSY		1		rotor
037		INC. 36,38				
038	210059-1	BALL BEARING 6000DDW		1		
039	911118-1	šroub M4x12		2		
040	413907-5	FRONT HAND GUARD RETAINER		1		chr
041	141E58-1	FRONT HAND GUARD COMPLETE		1		chr
C10	8042N8-4	CAUTION LABEL		1		
042	232714-5	COMPRESSION SPRING 3		1		pru
043	313212-9	HAND GUARD GUIDE		1		d
044	8110Y1-6	UC006G NAME PLATE		1		
045	183U56-5	HOUSING SET		1	*	obal
C10	263005-3	vymezovací čep 6		2	*	
045		INC. 8,19			*	
045-1	1831C9-5	HOUSING SET	S	1		
C10	263005-3	vymezovací čep 6		2		
045-1		INC. 8,19				
046	8012U4-2	XGT LOGO LABEL		1		
047	422466-8	GROMET		1		pr
048	227620-7	DRIVE GEAR 14		1		
049	227634-6	STRAIGHT BEVEL GEAR 14		1		ozuben
050	347517-5	TENSION SLIDE		1		nap
051	327317-9	ADJUST SCREW		1		se
052	227496-2	ozubené kolo UC3020A=old226213320		1		ozuben
053	281222-3	HOOK		1		h
054	347514-1	HOOK SUPPORT		1	*	zav
054-1	347D19-5	HOOK SUPPORT	S	1		
055	347516-7	CHAIN CATCHER		1		kryt
056	266326-2	šroub 4x18=new265995-6		1		
057	266326-2	šroub 4x18=new265995-6		2		
058	346809-9	SPIKE BUMPER		1		zubov
059	141E60-4	LINK PLATE COMPLETE		1		deska
060	232452-9	COMPRESSION SPRING 7		1		pru
061	347864-4	BRAKE BAND		1		p
062	413981-3	HOUSING R COVER		1		kryt sk
063	266326-2	šroub 4x18=new265995-6		5		
064	162979-4	BRAKE DRUM		1		brzdov
065	213060-5	O RING 10		1		o-krou
066	191V92-3	SPROCKET 9 SET		1		
067	961013-5	zajišťovací kroužek		1		zaji
068	347533-7	GUIDE PLATE L		1		deska
069	266905-6	H.L. SOCKET HEAD BOLT M5X12		1		
070	266007-8	Tapping Screw Bind PT3x1=old320266007		1		Tapping Screw Bind P T3x1=old320266007
071	347534-5	GUIDE PLATE R		1		deska

072	136573-8	SPROCKET COVER ASS'Y		1		kryt	
072		INC. 70,71,73,74,76					
073	162494-8	FLANGE NUT COMPLETE		1		matka	
074	413986-3	NUT COVER		1			
076	422310-9	CHIP GUIDE		1		veden	
077	324616-0	HOSE CLAMP		1		spona	
A01	168407-7	lišta carving 25cm STOP		1			
A02	458501-6	GUIDE BAR CASE		1	*		
A02-1	458501-6	GUIDE BAR CASE	O	1			
A04	191G96-5	SAW CHAIN 10 SET		1			
A05	782023-7	WRENCH 13-16		1			
E01	8039U0-8	CAUTION TAG		1			
E02	8040V6-2	SOUND LABEL		1			
F01	191G96-5	SAW CHAIN 10 SET		1			
F02	191V92-3	SPROCKET 9 SET		1			
F04	195093-1	CHAIN OIL SET		1			
F05	195923-6	ROUND FILE 4.5 SET		1	*		
F05-1	D-70954	FILE HOLDER SET 4.5MM(11/64")	O	1			
F06	198457-8	CHAIN EDGER SET		1	*		
F06-1	D-70948	FILE HOLDER SET 4.0MM(5/32")	O	1			

Prosím uveďte objednáací číslo dílu v objednávce

Datum tisku 06. 11. 2024