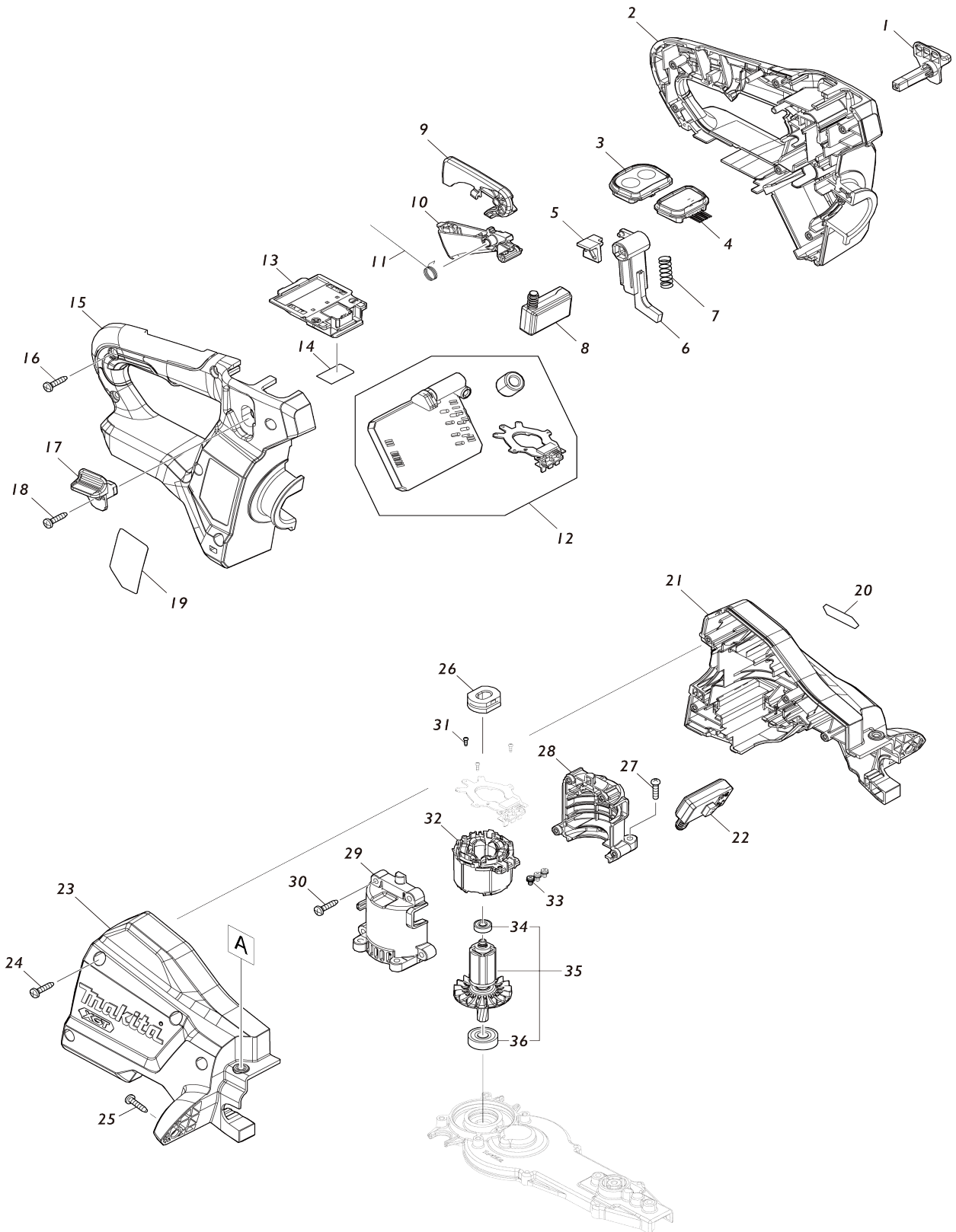
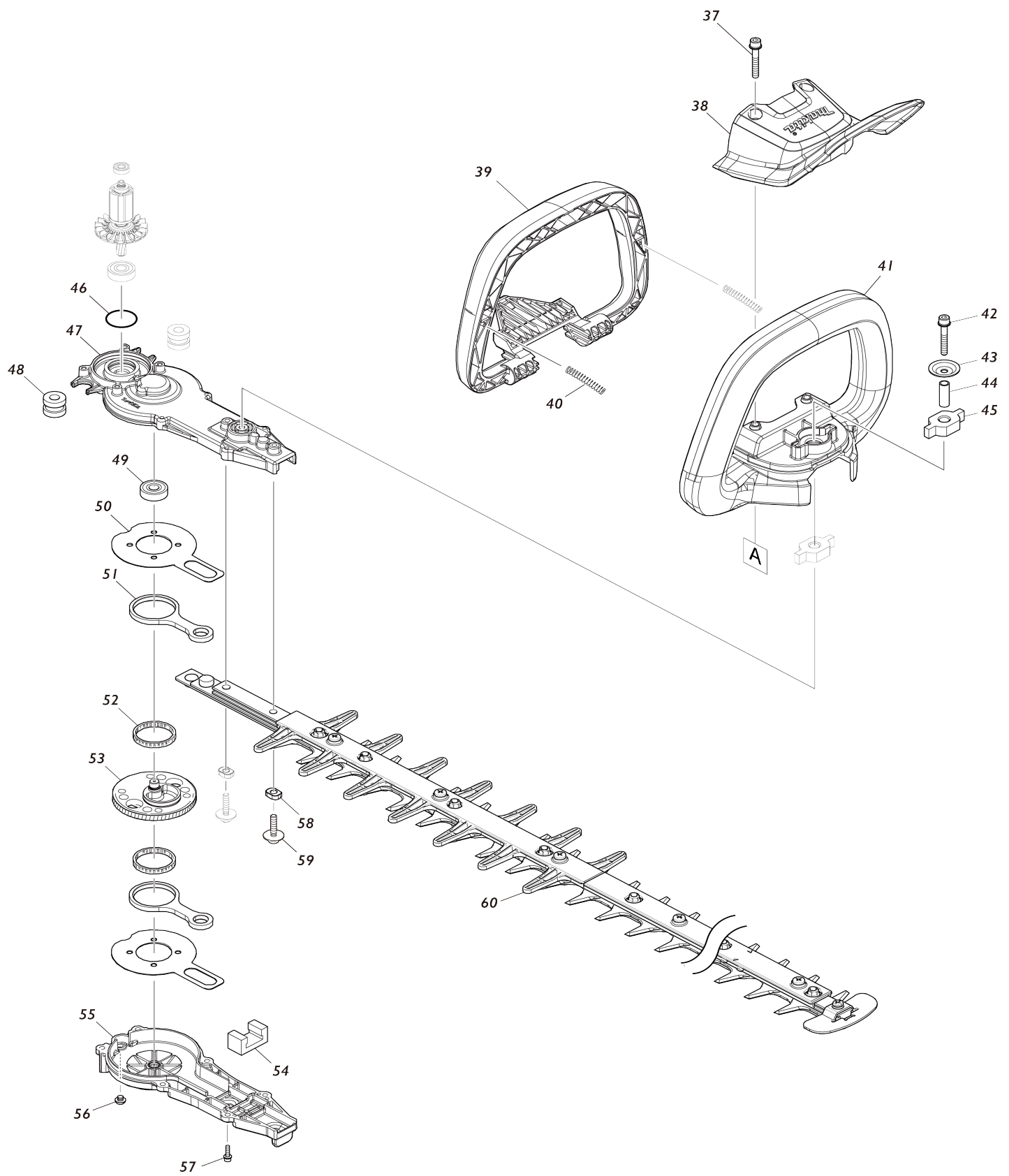


Model No.UH006G 600MM CORDLESS HEDGE TRIMMER



Model No.UH006G 600MM CORDLESS HEDGE TRIMMER



Model No.UH006G 600MM CORDLESS HEDGE TRIMMER

Obj. č.	Obj. č.	Popis	Možn ost zá měny	Množ ství	Nový/ Starý	Poznámka 1	Poznámka 2
001	458406-0	LOCK LEVER L		1		p	
002	183T66-6	HANDLE SET		1	*	dr	
C10	263005-3	vymezovací čep 6		2	*		
C20	8034N8-3	CAUTION LABEL		1	*		
002		INC. 15			*		
002-1	1830P7-4	HANDLE SET	O	1			
C10	263005-3	vymezovací čep 6		2			
C20	8074J9-5	CAUTION LABEL		1			
002-1		INC. 15					
003	141D66-6	SWITCH CIRCUIT COMPLETE E		1		vyp	
C10	8034K3-2	SWITCH LABEL		1			
004	140W63-3	INDICATION CIRCUIT COMPLETE		1		okruh	
005	458570-7	SLIDER		1		veden	
006	458405-2	LOCK ARM		1		rameno	
007	234204-4	COMPRESSION SPRING 8		1		pru	
008	651083-9	SWITCH C3XA-1PSPM		1		vyp	
009	458403-6	LOCK OFF LEVER		1		z	
010	413792-6	SWITCH LEVER R		1		p	
011	232454-5	TORSION SPRING 10		1		pru	
012	620E56-3	CONTROLLER		1	*	ovl	
C10	688163-8	filtr		1	*	filtr AH3756 DCU180 DHS630 DHS710 DLM 460 DSS610 DTW190 DUH551 DUH651	
C20	688164-6	LINE FILTER		1	*		
012-1	620N07-0	CONTROLLER	<	1		ovlada	
C10	688163-8	filtr		1		filtr AH3756 DCU180 DHS630 DHS710 DLM 460 DSS610 DTW190 DUH551 DUH651	
C20	688164-6	LINE FILTER		1			
013	632P64-8	TERMINAL UNIT		1		vstup	
014	811J28-1	UH006G SERIAL NO. LABEL		1			
015	183T66-6	HANDLE SET		1	*	dr	
C10	263005-3	vymezovací čep 6		2	*		
C20	8034N8-3	CAUTION LABEL		1	*		
015		INC. 2			*		
015-1	1830P7-4	HANDLE SET	O	1			
C10	263005-3	vymezovací čep 6		2			
C20	8074J9-5	CAUTION LABEL		1			
015-1		INC. 2					
016	266326-2	šroub 4x18=new265995-6		6			
017	458407-8	LOCK LEVER R		1		p	
018	266326-2	šroub 4x18=new265995-6		1			
019	811J22-3	UH006G NAME PLATE		1			
020	8025F3-0	XGT LOGO LABEL		1			
021	183S95-3	HOUSING SET		1		obal	
C10	424344-8	DAMPER		4			
021		INC. 23					
022	651083-9	SWITCH C3XA-1PSPM		1		vyp	

023	183S95-3	HOUSING SET		1		obal	
C10	424344-8	DAMPER		4			
023		INC. 21					
024	266326-2	šroub 4x18=new265995-6		4			
025	266326-2	šroub 4x18=new265995-6		2			
026	422261-6	RUBBER SLEEVE		1		guma	
027	911128-8	P.H.SCREW M4X16 WITH WR		4			
028	183S94-5	MOTOR HOUSING SET		1		obal motoru	
028		INC. 29					
029	183S94-5	MOTOR HOUSING SET		1		obal motoru	
029		INC. 28					
030	266326-2	šroub 4x18=new265995-6		4			
031	266490-9	TAPPING SCREW PT 2X6		3			
032	629A75-2	STATOR		1		stator	
033	652069-6	FLAT HEAD SCREW M3X6		3			
034	211157-4	BALL BEARING 695ZZ		1		lo	
035	519695-3	ROTOR ASSY		1		rotor	
035		INC. 34,36					
036	210005-4	kulič. ložisko 608DDW = old 2110 31-6		1		kuli	
037	265182-7	+ PAN HEAD SCREW M5X25		2			
038	458399-1	PROTECTOR		1		chr	
039	458402-8	SWITCH LEVER F		1		p	
040	233222-9	COMPRESSION SPRING 5		2		pru	
041	413791-8	FRONT GRIP E		1		p	
042	251476-6	H.S.H.BOLT M5X35 WITH WR		1	*		
042-1	265D13-4	H.S.H.BOLT M5X35 WITH WRM	O	1			
043	253416-0	DISH WASHER 5		1		podlo	
044	257678-2	SLEEVE 6		1		pouzdro	
045	422260-8	RUBBER SLEEVE 8		2		guma	
046	213961-7	O RING 22		1			
047	141C50-5	GEAR HOUSING COMPLETE		1	*	obal p	
C10	263002-9	vymezovací čep 4		1	*		
C20	424344-8	DAMPER		1	*		
047-1	141C50-5	GEAR HOUSING COMPLETE	O	1		obal p	
C10	263002-9	vymezovací čep 4		1			
C20	424344-8	DAMPER		1			
048	422725-0	RUBBER SLEEVE 8		2		pouzdro	
049	211032-4	ložisko 1902		1			
050	347361-0	FRICITION PLATE		2		deska	
051	347662-6	CONNECTING ROD		2		ty	
052	212229-8	NEEDLE CAGE 315		2		lo	
053	141C49-0	GEAR COMPLETE		1		p	
054	443159-4	SEAL		1		veden	
055	141C46-6	GEAR HOUSING COVER COMPLETE		1	*	obal p	
055-1	141H42-4	GEAR HOUSING COVER COMPLETE	O	1		obal p	
056	266559-9	H.S.BUTTON HEAD BOLT M6X4		1			
057	922128-3	šroub imbus = old 266178-1		6			
058	257859-8	SLEEVE 5		2		pouzdro	
059	265A89-3	H.S.H.BOLT M5X25 WITH WR		2			

060	191R55-5	SHEAR BLADE 600 R SET		1	*		
C10	199450-5	GREASE VESSEL SET		1	*		
C20	413794-2	GUARD R		1	*		
C30	413795-0	SPACER 600 R		1	*		
C40	915211-3	BINDING HEAD SCREW M5X12		5	*		
060		INC, 58			*		
060-1	191R55-5	SHEAR BLADE 600 R SET	O	1			
C10	199450-5	GREASE VESSEL SET		1			
C20	413794-2	GUARD R		1			
C30	413795-0	SPACER 600 R		1			
C40	915211-3	BINDING HEAD SCREW M5X12		5			
C50	347B07-0	BRUNCH CATCHER		1			
C60	911208-0	šroub M5x10		1			
C70	265C92-6	COLLARED HEX. LOCK NUT M5-8		7			
C80	257899-6	SLEEVE 5		7			
C85	253553-0	FLAT WASHER 5		7			
C90	265C91-8	+TRUSS HEAD SCREW M5X22		7			
060-1		INC, 58					
A01	412911-1	BLADE COVER 600		1			
A04	***DC40RA	DC40RA FAST CHARGER		1			
A04		COMPO-PARTS					
A05	191B36-3	BATTERY BL4025 SET		2			
A05	191B26-6	BATTERY BL4040 SET		2			
A06	412393-7	BATTERY COVER		1			
E01	800A66-4	SOUND 91DB LABEL		1			
F02	191R55-5	SHEAR BLADE 600 R SET		1			
F03	199450-5	GREASE VESSEL SET		1			

Prosím uveďte objednáací číslo dílu v objednávce

Datum tisku 06. 11. 2024